



PIAGGIO & C.s.p.a.



CATALOGUS RESERVEONDERDELEN



V 11 Cafè-Ballabio 1100 2003-2005

Voorvoegsel frame: ZGUKTB00, ZGUKTB01

Voorvoegsel motor:



Inhoudsopgave

Afgewerkte producten.....	4
Alfanumerieke inhoudsopgave.....	5
FRAME.....	12
Tafel 33.05 - Fuel supply.....	12
Tafel 33.06 - Internal fuel pump.....	13
Tafel 33.08 - Air box.....	14
Tafel 33.09 - Exhaust unit.....	15
Tafel 33.10 - Oil cooler.....	17
Tafel 33.18 - Gear lever.....	18
Tafel 33.19 - Transmission complete I.....	19
Tafel 33.20 - Transmission complete II.....	20
Tafel 33.21 - Frame.....	22
Tafel 33.22 - Lateral stand - Foot rests.....	23
Tafel 33.23 - Fuel tank.....	25
Tafel 33.24 - Fuel vapour recover system.....	28
Tafel 33.25 - Front body.....	29
Tafel 33.26 - Front mudguard.....	31
Tafel 33.27 - Saddle - Rear fairing.....	32
Tafel 33.28 - Rear frame-Number plate holder.....	35
Tafel 33.29 - Rear body.....	37
Tafel 33.30 - Front fork I.....	39
Tafel 33.31 - Front fork II.....	41
Tafel 33.32 - Swing arm and rear shock absorber.....	43
Tafel 33.33 - Front wheel.....	44
Tafel 33.34 - Rear wheel.....	45
Tafel 33.35 - Front brake system.....	46
Tafel 33.36 - Rear brake system.....	48
Tafel 33.37 - Clutch control complete.....	50
Tafel 33.38 - Handlebar - Controls.....	51
Tafel 33.39 - Dashboard.....	53
Tafel 33.40 - Headlight.....	55
Tafel 33.41 - Taillight.....	56
Tafel 33.44 - Injection electrical system.....	57
Tafel 33.45 - Electrical system.....	59
ENGINE.....	61
Tafel 34.01 - Crank-case.....	61
Tafel 34.02 - Cylinder head and valves.....	63
Tafel 34.03 - Crankshaft cpl.....	65
Tafel 34.04 - Timing system.....	66
Tafel 34.07 - Throttle body.....	67
Tafel 34.11 - Supply - Oil pump.....	68
Tafel 34.12 - Oil filters.....	69
Tafel 34.13 - Clutch.....	70



Tafel 34.14 - Transmission cage.....	71
Tafel 34.15 - Gear box selector.....	73
Tafel 34.16 - Primary gear shaft.....	75
Tafel 34.17 - Driven shaft.....	76
Tafel 34.42 - Generator - Regulator.....	78
Tafel 34.43 - Starter motor.....	79
SPECIAL TOOLS.....	80
Tafel 36.46 - Specific tools I.....	80
Tafel 36.47 - Specific tools II.....	81
Tafel 36.48 - Specific tools III.....	82



V 11
GU086 - V 11 Cafè-Ballabio 1100 2003-2005

Voorvoegsel frame: ZGUKTB00,
ZGUKTB01
Voorvoegsel motor:

Afgewerkte producten

Code	Geldigheid
GU9032630EU201	



Code	N.Tafel	Pos.	Code	N.Tafel	Pos.	Code	N.Tafel	Pos.
0000000	34.43	5	GU01060190	34.03	1	GU01152200	34.12	3
0000000	34.43	6	GU01060231	34.03	2	GU01153602	34.11	8
0000000	34.43	7	GU01061532	34.03	13	GU01154230	33.08	18
0000000	34.43	8	GU01062030	34.03	16	GU01154230	33.10	12
AP8101272	33.30	20	GU01062031	34.03	16	GU01154230	33.20	7
AP8102504	33.25	21	GU01062032	34.03	16	GU01154230	34.11	20
AP8104509	33.38	17	GU01062033	34.03	16	GU01154631	34.11	24
AP8113003	33.35	19	GU01062230	34.03	14	GU01161331	33.10	11
AP8113003	33.36	24	GU01064131	34.03	17	GU01161331	34.11	21
AP8113004	33.35	20	GU01067930	34.03	22	GU01161690	33.10	9
AP8113004	33.36	21	GU01085730	34.13	6	GU01161730	33.10	13
AP8116071	33.30	21	GU01086330	34.13	13	GU01162030	33.10	1
AP8118492	33.38	16	GU01100280	33.23	1	GU01162390	33.10	2
AP8118566	33.38	15	GU01100281	33.24	1	GU01163500	34.12	21
AP8118567	33.38	14	GU01100282	33.23	1	GU01163600	34.12	12
AP8118579	33.38	31	GU01100283	33.24	1	GU01163700	34.12	23
AP8118678	33.38	1	GU01100284	33.23	1	GU01164231	33.10	3
AP8121520	33.38	18	GU01100284	33.24	1	GU01164431	33.10	8
AP8123975	33.30	23	GU01100288	33.23	1	GU01200290	34.14	1
AP8124235	33.45	20	GU01100289	33.24	1	GU01200890	34.14	2
AP8140146	36.48	3	GU01100290	33.23	1	GU01201390	34.14	3
AP8140149	36.48	4	GU01101700	33.23	8	GU01201690	34.15	1
AP8140189	36.48	2	GU01103090	33.06	3	GU01201691	34.15	1
AP8140424	36.48	1	GU01103730	33.24	2	GU01205730	34.14	5
AP8140595	36.46	8	GU01103731	33.24	17	GU01213961	34.17	8
AP8144109	33.25	20	GU01103831	33.24	3	GU01214060	34.17	3
AP8144222	33.38	10	GU01103832	33.24	4	GU01214260	34.17	4
AP8144565	33.25	14	GU01103860	33.23	23	GU01214460	34.17	17
AP8150049	33.38	6	GU01103980	33.23	5	GU01214760	34.17	9
AP8150431	33.25	11	GU01103981	33.23	5	GU01214961	34.17	2
AP8150450	33.25	22	GU01106090	33.06	2	GU01215060	34.17	15
AP8202311	36.46	8	GU01106692	33.05	4	GU01215630	34.16	17
GU00823915045	33.32	15	GU01107290	33.05	1	GU01217530	34.17	19
GU00823944050	33.23	18	GU01107290	33.06	1	GU01220560	34.17	16
GU00823950050	33.35	17	GU01107490	33.06	4	GU01233630	34.15	14
GU00823950050	33.36	27	GU01108490	33.06	5	GU01234030	34.15	32
GU00823950050	33.37	3	GU01110590	34.07	4	GU01234660	34.15	20
GU00823952080	33.05	6	GU01112590	34.07	1	GU01235130	34.15	24
GU00823956050	33.24	15	GU01113490	33.08	3	GU01236160	34.15	35
GU00823956060	33.24	7	GU01114031	33.08	1	GU01236930	34.15	12
GU00823956080	33.08	16	GU01114130	33.08	8	GU01237032	34.15	27
GU00823956080	33.24	9	GU01114390	34.07	14	GU01250830	33.18	1
GU00979715	36.46	7	GU01114400	33.08	19	GU01256932	33.18	11
GU00979717	36.46	6	GU01114500	34.07	16	GU01257830	33.18	6
GU01000790	34.01	1	GU01115000	34.07	3	GU01258230	33.18	16
GU01001490	34.01	15	GU01115001	34.07	8	GU01335230	33.34	11
GU01001630	34.01	21	GU01116031	33.24	12	GU01336800	33.34	9
GU01001680	34.01	21	GU01116730	33.08	6	GU01350290	33.20	1
GU01003290	34.01	25	GU01116731	33.08	7	GU01350390	33.20	2
GU01003400	34.01	29	GU01117580	33.38	20	GU01351090	33.19	13
GU01003590	34.01	27	GU01117880	33.38	21	GU01351230	33.20	6
GU01003600	34.01	26	GU01119230	33.24	19	GU01354630	33.20	29
GU01003650	34.01	24	GU01120990	33.09	1	GU01356930	33.20	5
GU01003800	34.12	6	GU01120991	33.09	2	GU01357731	33.19	16
GU01004900	34.01	34	GU01121030	33.09	5	GU01358390	33.19	7
GU01005500	34.12	9	GU01122691	33.09	30	GU01358690	33.19	6
GU01005701	34.12	11	GU01122961	33.09	26	GU01358730	33.19	2
GU01007200	34.11	14	GU01122990	33.09	26	GU01358890	33.19	1
GU01022130	34.02	1	GU01123061	33.09	25	GU01400160	33.21	1
GU01022230	34.02	2	GU01123090	33.09	25	GU01407460	33.44	19
GU01023560	34.02	36	GU01123430	33.09	21	GU01410260	33.28	1
GU01023580	34.02	36	GU01123830	33.09	13	GU01415780	33.21	6
GU01037030	34.02	41	GU01123931	33.09	12	GU01415790	33.21	6
GU01038730	34.02	10	GU01123990	33.09	12	GU01415791	33.21	6
GU01051730	34.04	8	GU01126930	33.09	11	GU01415880	33.21	8
GU01054000	34.04	5	GU01132330	33.38	24	GU01415890	33.21	8
GU01054500	34.04	9	GU01132830	33.38	26	GU01415891	33.21	8



Code	N.Tafel	Pos.	Code	N.Tafel	Pos.	Code	N.Tafel	Pos.
GU01418230	33.45	7	GU01526480	33.31	7	GU01576088	33.29	13
GU01420160	33.21	7	GU01526683	33.30	22	GU01576131	33.29	8
GU01420290	33.21	2	GU01526695	33.31	9	GU01576530	33.23	16
GU01424630	34.01	5	GU01526795	33.31	11	GU01576532	33.28	8
GU01424632	33.24	16	GU01528930	33.20	9	GU01577280	33.25	3
GU01431830	33.22	39	GU01528930	34.14	6	GU01577830	33.29	9
GU01431930	33.22	31	GU01530290	33.30	19	GU01578280	33.25	9
GU01432190	33.22	1	GU01530291	33.30	2	GU01578281	33.25	23
GU01432730	33.22	6	GU01530500	34.07	2	GU01578680	33.25	16
GU01433201	33.22	5	GU01530501	33.31	17	GU01600382	33.38	1
GU01433460	33.22	2	GU01530502	33.31	18	GU01600380	33.38	12
GU01433600	33.22	10	GU01530503	33.31	19	GU01603480	33.38	13
GU01433860	33.22	36	GU01530504	34.07	17	GU01605560	33.37	1
GU01434330	33.26	1	GU01530507	33.31	20	GU01605640	33.35	2
GU01434382	33.26	1	GU01530508	33.31	21	GU01605760	33.37	2
GU01434385	33.26	11	GU01530509	33.31	22	GU01606580	33.37	12
GU01434482	33.26	2	GU01530581	33.37	17	GU01609030	33.37	6
GU01434490	33.26	2	GU01530582	33.35	6	GU01609630	33.38	34
GU01437030	33.29	1	GU01530582	33.37	16	GU01610340	33.33	1
GU01438630	33.28	7	GU01530588	33.31	1	GU01610340	33.33	1
GU01438760	33.28	15	GU01530589	33.31	6	GU01610380	33.33	1
GU01439230	33.24	18	GU01530590	33.31	12	GU01612190	33.33	11
GU01439330	33.28	28	GU01530591	33.31	15	GU01613330	33.33	4
GU01444640	33.22	21	GU01530592	33.31	23	GU01614180	33.33	6
GU01444740	33.22	22	GU01530593	33.31	24	GU01614190	33.33	6
GU01460560	33.27	1	GU01530594	33.31	25	GU01615290	33.33	3
GU01460560	33.27	1	GU01530595	33.31	30	GU01616380	33.33	7
GU01460580	33.27	1	GU01530601	33.31	33	GU01616390	33.33	7
GU01460581	33.27	1	GU01530602	33.31	34	GU01630630	33.34	1
GU01461530	33.27	6	GU01530603	33.31	35	GU01630630	33.34	1
GU01461530	33.27	6	GU01540230	33.32	1	GU01630680	33.34	1
GU01461580	33.27	6	GU01546363	33.29	3	GU01632200	33.34	3
GU01461581	33.27	6	GU01546463	33.29	11	GU01633330	33.34	16
GU01462430	33.27	17	GU01547060	33.32	3	GU01634000	33.34	6
GU01466430	33.27	3	GU01547860	33.32	4	GU01634130	33.34	18
GU01466480	33.27	3	GU01550291	33.32	5	GU01635840	33.36	32
GU01466482	33.27	3	GU01557985	33.32	11	GU01638630	33.36	34
GU01466483	33.27	3	GU01570230	33.29	4	GU01652230	33.35	23
GU01466488	33.27	3	GU01570241	33.29	4	GU01652330	33.35	22
GU01468830	33.27	24	GU01570282	33.29	4	GU01654630	33.35	31
GU01474630	33.28	18	GU01570288	33.29	4	GU01657531	33.36	20
GU01475330	33.41	22	GU01570430	33.29	5	GU01658881	33.35	21
GU01475560	33.28	11	GU01570441	33.29	5	GU01659130	33.35	33
GU01479030	33.28	6	GU01570482	33.29	5	GU01659131	33.35	27
GU01479530	33.28	2	GU01570488	33.29	5	GU01659230	33.35	32
GU01479660	33.27	15	GU01573160	33.27	8	GU01659780	33.35	28
GU01490280	33.30	1	GU01573180	33.27	8	GU01660140	33.35	1
GU01490283	33.30	18	GU01573182	33.27	8	GU01661460	33.35	10
GU01490680	33.31	31	GU01573183	33.27	8	GU01663530	33.37	5
GU01490695	33.31	3	GU01573184	33.27	8	GU01664030	33.38	23
GU01490780	33.31	32	GU01573188	33.27	8	GU01675200	33.36	11
GU01490795	33.31	4	GU01573760	33.27	9	GU01677060	33.36	1
GU01493180	33.30	16	GU01573960	33.29	6	GU01677630	33.36	7
GU01493180	33.31	28	GU01575380	33.25	1	GU01704501	33.45	3
GU01494060	33.30	15	GU01575382	33.25	1	GU01717430	33.44	26
GU01494080	33.31	27	GU01575383	33.25	1	GU01718330	33.44	25
GU01500280	33.38	2	GU01575384	33.25	1	GU01721600	33.44	34
GU01500281	33.38	3	GU01575388	33.25	1	GU01722700	33.44	17
GU01500680	33.38	4	GU01575480	33.25	2	GU01722701	33.44	17
GU01501695	33.31	16	GU01575481	33.25	2	GU01722702	33.44	17
GU01504590	33.31	26	GU01575482	33.25	2	GU01722703	33.44	17
GU01517700	33.21	21	GU01575483	33.25	2	GU01722704	33.44	17
GU01525490	33.31	10	GU01575484	33.25	2	GU01722705	33.44	17
GU01525895	33.31	5	GU01575488	33.25	2	GU01725875	33.44	1
GU01526195	33.31	13	GU01575960	33.21	17	GU01725891	33.44	1
GU01526196	33.31	14	GU01576080	33.29	13	GU01729590	33.44	2
GU01526390	33.31	8	GU01576082	33.29	13	GU01729592	33.44	2



Code	N.Tafel	Pos.	Code	N.Tafel	Pos.	Code	N.Tafel	Pos.
GU01731760	33.45	23	GU01917880	33.23	3	GU03742030	33.29	12
GU01732560	33.44	10	GU01917890	33.23	3	GU03762370	33.39	8
GU01732560	33.45	22	GU01917980	33.23	4	GU03762870	33.39	31
GU01733330	34.43	11	GU01917980	33.23	4	GU03781150	33.39	30
GU01733340	34.43	11	GU01917990	33.23	4	GU03909960	33.28	5
GU01733364	34.43	11	GU01921588	33.23	25	GU03917810	33.23	3
GU01733830	34.43	14	GU01921589	33.23	26	GU03917910	33.23	4
GU01736880	33.23	17	GU01923380	33.23	22	GU04055000	34.17	11
GU01736880	33.27	28	GU01923380	33.27	27	GU04055100	34.17	12
GU01736880	33.39	18	GU01923382	33.23	22	GU04067000	34.03	19
GU01736881	33.23	17	GU01923382	33.27	27	GU04082800	34.13	5
GU01736881	33.27	28	GU01923383	33.23	22	GU04084100	34.13	1
GU01736881	33.39	18	GU01923383	33.27	27	GU04086000	34.13	8
GU01738095	33.38	30	GU01923384	33.23	22	GU04086100	34.13	10
GU01738890	33.38	22	GU01923384	33.27	27	GU04205100	34.14	21
GU01740930	33.41	1	GU01923388	33.23	22	GU04205500	34.14	10
GU01740931	33.41	1	GU01923388	33.27	27	GU04210500	34.16	1
GU01741730	33.41	2	GU01923480	33.27	29	GU04211201001	34.16	16
GU01741731	33.41	2	GU01923482	33.27	33	GU04211300	34.16	3
GU01743030	33.45	14	GU01923483	33.27	33	GU04211400	34.16	4
GU01743790	33.40	14	GU01923484	33.27	37	GU04211500	34.16	18
GU01743791	33.40	15	GU01923488	33.27	36	GU04211600	34.16	6
GU01744200	33.40	20	GU01925784	33.25	29	GU04212900	34.16	7
GU01746630	33.45	18	GU01925788	33.25	28	GU04213600	34.17	1
GU01747190	33.45	1	GU01926180	33.25	12	GU04213901	34.17	8
GU01747190	34.42	17	GU01926180	33.25	12	GU04214000	34.17	3
GU01747191	33.45	1	GU01926190	33.25	12	GU04214200	34.17	4
GU01747191	34.42	17	GU01929100	36.47	1	GU04214300	34.17	10
GU01747280	33.39	25	GU01940484	33.27	38	GU04214400	34.17	17
GU01747280	33.45	2	GU01940488	33.27	34	GU04214700	34.17	9
GU01747991	33.45	13	GU01940588	33.27	35	GU04214901	34.17	2
GU01748431	33.45	11	GU01941030	34.02	37	GU04215000	34.17	15
GU01748491	33.45	11	GU01941075	34.02	37	GU04215401	34.17	21
GU01750680	33.40	4	GU01945060	33.45	16	GU04217600	33.18	2
GU01750680	33.41	12	GU01966330	36.46	2	GU04218700	34.16	13
GU01751680	33.40	5	GU01991080	34.01	38	GU04218900	34.16	15
GU01751680	33.41	11	GU01991084	34.01	38	GU04220500	34.17	16
GU01757680	33.40	3	GU01991091	34.01	38	GU04220700	34.17	14
GU01757680	33.45	25	GU01991590	34.14	34	GU04221400	34.17	18
GU01759130	33.22	37	GU01999030	34.01	43	GU04230500	34.15	3
GU01760080	33.39	1	GU01999530	34.01	44	GU04230800	34.15	4
GU01760081	33.39	1	GU02107100	33.23	14	GU04231200	34.15	6
GU01760481	33.39	4	GU02107300	33.32	12	GU04232400	34.15	2
GU01761560	33.39	2	GU02116901	33.08	15	GU04232500	34.17	7
GU01762090	33.39	14	GU02466900	33.36	42	GU04232600	34.15	5
GU01762490	33.39	2	GU02468600	33.27	25	GU04234600	34.15	20
GU01762560	33.39	5	GU02517700	34.01	37	GU04234700	34.15	18
GU01764080	33.39	12	GU02550201	33.32	5	GU04237500	34.15	16
GU01766240	33.39	26	GU02704550	33.45	3	GU04237800	34.15	9
GU01766880	33.39	6	GU02745200	33.41	20	GU04238200	34.15	21
GU01767260	33.39	9	GU02747901	33.45	13	GU04238300	34.15	25
GU01769490	33.38	32	GU02762301	33.39	13	GU04238600	34.15	17
GU01769890	33.38	33	GU02766300	33.39	24	GU04239200	34.15	28
GU01781600	33.40	2	GU02768200	33.39	28	GU04239400	34.14	12
GU01782500	33.39	16	GU02768400	33.39	29	GU04350400	33.20	23
GU01900080	33.27	32	GU02768600	33.39	11	GU04351900	33.20	32
GU01900090	33.27	16	GU02931600	33.21	3	GU04353801	33.20	36
GU01900091	33.27	16	GU03013800	33.34	15	GU04354900	33.20	18
GU01912530	36.46	1	GU03084400	34.13	3	GU04355100	33.20	25
GU01913430	36.46	3	GU03163330	33.44	11	GU04355101	33.20	25
GU01913730	36.46	5	GU03474635	33.28	32	GU04355102	33.20	25
GU01913830	36.46	4	GU03530529	33.31	2	GU04355103	33.20	25
GU01917580	33.23	2	GU03609600	33.36	26	GU04355104	33.20	25
GU01917588	33.23	2	GU03611445	33.33	5	GU04355105	33.20	25
GU01917591	33.23	2	GU03635700	33.34	7	GU04355106	33.20	25
GU01917680	33.23	27	GU03703870	34.42	2	GU04355300	33.20	19
GU01917880	33.23	3	GU03707140	33.45	12	GU04355301	33.20	19



Code	N.Tafel	Pos.	Code	N.Tafel	Pos.	Code	N.Tafel	Pos.
GU04355302	33.20	19	GU14217901	34.03	24	GU28576591	33.21	15
GU04355303	33.20	19	GU14217901	34.42	14	GU28576591	34.42	16
GU04355304	33.20	19	GU14234600	34.04	4	GU28576592	33.27	12
GU04356700	33.20	13	GU14251001	33.18	3	GU28617760	33.33	8
GU04356800	33.20	15	GU14251001	33.36	3	GU28617760	33.34	2
GU04357900	33.20	3	GU14335350	33.34	12	GU28707050	33.45	6
GU04358700	33.20	4	GU14335650	33.34	13	GU28742558	33.45	15
GU04558700	33.19	11	GU14433400	34.04	10	GU28742559	33.45	15
GU05001230	34.01	14	GU14516700	33.30	11	GU28742560	33.45	15
GU10032700	34.02	32	GU14517000	33.30	10	GU28742562	33.45	15
GU10034100	34.02	29	GU14609650	33.45	24	GU29104985	33.24	6
GU10154200	34.11	25	GU14615901	33.09	6	GU29106660	33.24	11
GU10214304	34.17	13	GU14615901	33.19	4	GU29108550	33.24	5
GU10528900	34.01	33	GU14615901	33.20	21	GU29132750	33.38	27
GU10528900	34.14	15	GU14615901	33.22	43	GU29217960	34.07	6
GU10907200	36.47	7	GU14615901	33.23	10	GU29217960	34.42	5
GU12003900	34.01	2	GU14615901	33.36	37	GU29577860	33.26	10
GU12006400	34.11	13	GU14615901	34.01	45	GU29577860	33.27	5
GU12006400	34.14	13	GU14615901	34.03	21	GU29579460	33.45	5
GU12007600	34.11	15	GU14616150	33.33	9	GU29711460	34.42	3
GU12011400	34.01	40	GU14616150	33.34	21	GU29711960	34.42	11
GU12011401	34.01	40	GU14657050	33.36	22	GU29722760	33.44	17
GU12011402	34.01	40	GU14717600	33.44	24	GU29729461	33.44	3
GU12011403	34.01	40	GU14781570	33.41	18	GU30002100	34.01	18
GU12011700	34.01	41	GU14927100	36.47	10	GU30003800	34.12	2
GU12011800	34.01	39	GU14927200	36.47	12	GU30022060	34.02	20
GU12012200	34.01	11	GU14927300	36.47	17	GU30027931	33.44	29
GU12018900	34.01	6	GU14928900	36.47	14	GU30057810	34.04	17
GU12021700	34.03	12	GU14929100	36.47	15	GU30060660	34.03	3
GU12021800	34.03	11	GU14929600	36.47	2	GU30060760	34.03	4
GU12022600	34.02	15	GU17034050	34.02	28	GU30060960	34.03	5
GU12022600	34.14	7	GU17045860	34.04	2	GU30061060	34.03	6
GU12031800	34.02	33	GU17768750	34.11	12	GU30061241	34.03	7
GU12038100	34.02	14	GU17947560	36.47	4	GU30082900	34.13	2
GU12067701	34.03	20	GU18001150	34.01	20	GU30103730	33.23	19
GU12082300	34.13	4	GU18144350	34.12	19	GU30104630	33.23	20
GU12087001	34.13	9	GU19002020	34.15	11	GU30107401	33.08	20
GU12154200	34.11	11	GU19007700	34.01	23	GU30109330	33.09	10
GU12154200	34.15	7	GU19007700	34.42	15	GU30113600	33.08	2
GU12211700	34.16	2	GU19015020	34.14	16	GU30115220	33.24	13
GU12906900	36.47	13	GU19149800	33.19	14	GU30126700	33.09	16
GU12911801	36.47	6	GU19149800	33.21	5	GU30126701	33.09	17
GU12912000	36.47	11	GU19149800	33.35	25	GU30146400	34.11	1
GU12913600	36.47	5	GU19157800	33.36	28	GU30147700	34.11	4
GU13021900	34.02	17	GU19206501	33.20	34	GU30150900	34.12	14
GU13036801	34.02	3	GU19206501	34.14	14	GU30153000	34.12	1
GU13037200	34.02	8	GU19207220	34.15	8	GU30157400	34.11	18
GU13148300	34.11	2	GU19357660	33.20	20	GU30158701	34.12	13
GU14011900	34.01	10	GU19659500	33.35	7	GU30158800	34.12	18
GU14011901	34.01	10	GU19659500	33.36	16	GU30158900	34.12	17
GU14018400	34.02	24	GU19659500	33.37	18	GU30159000	34.12	20
GU14020865	34.03	9	GU19705900	33.45	10	GU30217900	33.21	19
GU14023760	34.02	38	GU19927100	36.47	16	GU30217900	33.32	16
GU14030201	34.02	25	GU19929600	36.47	3	GU30357800	33.19	10
GU14030401	34.02	26	GU20164010	34.12	22	GU30419601	33.21	9
GU14034865	34.02	22	GU23943410	33.30	14	GU30432801	33.22	3
GU14036860	34.02	4	GU25656100	33.37	14	GU30434000	33.22	9
GU14037300	34.02	9	GU25656102	34.11	9	GU30434001	33.22	7
GU14072001	34.04	12	GU27530505	33.38	8	GU30440705	33.22	15
GU14102600	33.45	4	GU27604815	33.35	4	GU30441005	33.22	17
GU14103400	33.09	20	GU27604815	33.37	15	GU30441105	33.22	18
GU14217901	33.18	18	GU27654610	33.36	40	GU30441605	33.22	28
GU14217901	33.19	8	GU28058060	34.04	16	GU30441805	33.22	16
GU14217901	33.22	33	GU28115560	34.07	7	GU30442205	33.22	19
GU14217901	33.27	19	GU28157950	33.05	5	GU30442405	33.22	23
GU14217901	33.36	19	GU28157950	33.24	14	GU30442705	33.22	12
GU14217901	33.40	17	GU28576591	33.08	9	GU30442805	33.22	24



Code	N.Tafel	Pos.	Code	N.Tafel	Pos.	Code	N.Tafel	Pos.
GU30443105	33.22	25	GU39094200	33.38	29	GU91181039	33.38	9
GU30513401	33.30	13	GU400086800910	33.09	33	GU91182004	33.38	11
GU30516500	33.30	9	GU61013800	33.18	14	GU91551083	33.37	8
GU30530510	34.43	3	GU61108500	33.24	8	GU91551085	34.43	12
GU30530511	34.43	4	GU61108500	33.35	18	GU91551086	33.41	5
GU30530512	34.43	9	GU61108500	33.37	4	GU91551086	33.44	35
GU30530525	33.36	15	GU61270300	34.01	13	GU91551086	33.45	19
GU30577800	33.26	5	GU61270300	34.04	19	GU91551132	33.10	5
GU30577800	33.41	9	GU65928400	36.47	18	GU91551167	33.35	15
GU30611460	33.34	8	GU66103415	33.23	9	GU91551168	33.39	7
GU30653001	33.36	35	GU66466815	33.28	21	GU91600450	34.42	10
GU30654700	33.36	41	GU66468115	33.28	23	GU91702355	34.04	15
GU30659101	33.36	39	GU66478610	33.27	10	GU92201035	34.16	14
GU30661100	33.35	9	GU66530505	33.31	29	GU92201141	34.14	24
GU30661101	33.36	30	GU89000494	33.23	1	GU92201225	34.14	23
GU30663500	33.36	29	GU89000496	33.24	1	GU92201423	34.14	22
GU30665000	33.35	8	GU90118152	34.02	31	GU92201821	33.20	35
GU30665400	33.36	17	GU90271008	34.15	19	GU92201926	33.20	14
GU30665860	33.35	30	GU90271012	34.15	13	GU92204220	33.34	4
GU30666900	33.36	14	GU90271055	33.34	5	GU92205227	33.33	2
GU30675300	33.18	8	GU90271228	34.17	20	GU92208014	33.20	26
GU30675300	33.36	9	GU90280006	33.22	20	GU92218418	33.32	2
GU30714201	34.42	7	GU90280007	34.15	26	GU92231216	33.20	22
GU30716500	33.44	18	GU90351038	34.03	8	GU92234017	34.14	20
GU30717061	33.44	27	GU90353016	34.02	7	GU92234055	33.20	12
GU30729330	33.44	28	GU90353040	33.20	11	GU92234720	34.14	19
GU30730711	34.43	1	GU90400816	34.13	7	GU92234730	34.14	18
GU30735500	33.23	21	GU90401526	34.15	30	GU92249225	33.30	12
GU30735500	33.39	17	GU90402840	34.01	19	GU92252210	34.11	3
GU30749860	33.35	5	GU90403257	33.20	17	GU92252225	33.20	30
GU30781820	33.41	19	GU90404059	34.14	17	GU92252813	34.17	5
GU30906510	36.47	9	GU90404255	34.14	25	GU92252817	34.17	6
GU30912810	36.47	8	GU90405367	34.01	42	GU92259025	33.20	31
GU30944300	33.23	24	GU90413850	33.20	10	GU92295706	33.22	27
GU30949700	36.47	19	GU90417085	33.20	27	GU92295708	33.35	3
GU30970200	33.27	30	GU90706010	33.10	14	GU92295708	33.37	21
GU31003766	33.20	28	GU90706010	34.11	26	GU92296745	34.15	15
GU31003766	34.01	32	GU90706094	34.02	21	GU92601002	33.35	12
GU31003766	34.14	9	GU90706094	34.03	10	GU92601002	33.37	19
GU31659260	33.36	38	GU90706140	34.12	10	GU92601208	33.25	10
GU31740383	33.40	11	GU90706141	33.44	16	GU92602308	34.11	5
GU31781565	33.41	8	GU90706170	33.36	23	GU92602525	34.04	14
GU32712410	34.42	1	GU90706170	34.13	11	GU92603010	34.02	23
GU32727010	33.09	32	GU90706178	34.01	35	GU92606205	33.22	35
GU32740210	33.40	12	GU90706178	34.42	8	GU92606206	33.18	10
GU32740410	33.40	13	GU90706203	34.02	16	GU92606206	33.36	10
GU32740411	33.40	13	GU90706203	34.14	8	GU92606208	34.15	23
GU32740510	33.40	1	GU90706233	34.16	5	GU92606208	34.15	33
GU32740511	33.40	1	GU90706490	33.34	10	GU92606408	33.30	7
GU32753710	33.40	7	GU90706616	33.20	16	GU92606508	33.22	38
GU32753710	33.41	14	GU90706948	34.01	28	GU92606512	34.15	10
GU37036005	34.02	6	GU90706958	33.20	24	GU92606516	34.42	6
GU37036105	34.02	5	GU90718370	33.09	3	GU92630104	33.44	22
GU37037405	34.02	11	GU91110508	33.44	36	GU92630106	33.32	14
GU37037605	34.02	12	GU91111511	34.02	27	GU92630106	33.41	17
GU37038005	34.02	13	GU91112128	34.03	15	GU92630106	33.44	8
GU37045006	34.04	1	GU91113230	33.09	31	GU92630108	33.30	6
GU37053305	34.04	3	GU91120610	33.37	9	GU92630205	33.25	6
GU37065405	34.03	18	GU91120810	33.25	18	GU92630206	33.41	7
GU37067705	34.03	23	GU91120820	33.27	13	GU92630208	33.18	7
GU37114806	33.08	4	GU91180605	33.40	19	GU92630210	33.19	18
GU37359005	33.20	33	GU91180607	34.43	13	GU92630210	33.21	13
GU37636105	33.36	33	GU91180608	33.41	6	GU92630310	33.22	29
GU37676605	33.36	5	GU91180617	33.35	14	GU92630410	33.19	17
GU37678105	33.36	2	GU91180812	33.30	5	GU92630707	33.18	15
GU37712306	34.42	9	GU91180819	33.09	28	GU92630707	33.36	13
GU37712405	34.42	1	GU91180831	33.23	15	GU92630719	33.34	17



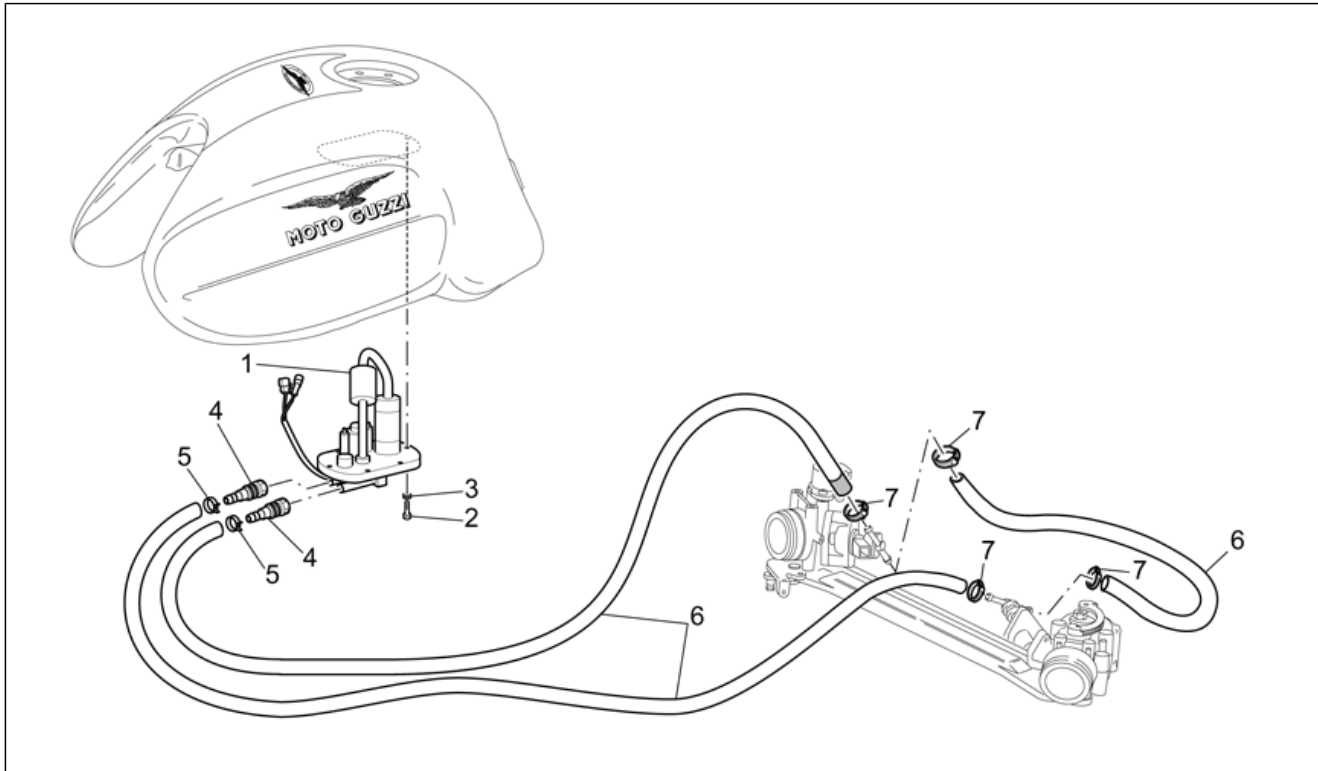
Code	N.Tafel	Pos.	Code	N.Tafel	Pos.	Code	N.Tafel	Pos.
GU92640506	33.19	5	GU95005304	34.43	17	GU95990028	33.37	13
GU92640510	33.21	20	GU95005308	33.09	8	GU95990037	34.11	10
GU92640510	33.22	14	GU95005308	33.25	19	GU95990084	33.08	17
GU92640512	33.32	9	GU95005308	33.25	8	GU95990084	34.11	23
GU92640513	33.32	8	GU95005308	33.30	4	GU96506089	33.18	9
GU92650034	33.44	4	GU95005309	33.09	23	GU96508040	34.02	19
GU92650036	33.22	30	GU95005311	33.22	41	GU96508051	34.01	36
GU92650036	33.27	23	GU95005312	33.27	26	GU96508066	34.01	3
GU92650036	33.27	7	GU95005312	33.28	17	GU96508075	34.01	7
GU92650105	33.44	37	GU95005325	33.33	10	GU97040220	33.22	34
GU92650108	33.09	24	GU95007205	33.25	26	GU97202420	33.25	24
GU92650135	33.28	4	GU95007205	33.25	5	GU97260415	33.39	22
GU92650136	33.28	10	GU95008204	33.44	9	GU973260900014	33.09	34
GU92650136	33.28	22	GU95008205	33.44	14	GU98082380	33.08	10
GU92650138	33.09	29	GU95008206	33.08	14	GU98082435	34.04	18
GU92660021	34.01	8	GU95008206	33.36	25	GU98082445	33.23	12
GU92660113	33.21	10	GU95008206	33.45	9	GU98082475	34.43	2
GU92660210	33.28	25	GU95008206	34.01	31	GU98082595	33.21	14
GU92660601	33.28	27	GU95008206	34.02	40	GU98083670	33.32	6
GU92660604	33.35	16	GU95008206	34.07	10	GU98084112	33.44	6
GU92660604	33.37	11	GU95008206	34.12	16	GU98084216	33.05	2
GU92700241	33.30	8	GU95008206	34.12	8	GU98084314	33.18	17
GU92750180	34.04	11	GU95008206	34.42	13	GU98084314	33.28	12
GU92787008	33.09	7	GU95008208	34.01	4	GU98084314	33.45	8
GU92787205	33.39	15	GU95008208	34.15	34	GU98084316	34.02	34
GU92787205	33.41	10	GU95008208	34.43	10	GU98084316	34.12	5
GU92787205	34.43	16	GU95008210	33.28	26	GU98084320	34.04	6
GU93180111	33.34	20	GU95008210	33.38	7	GU98084320	34.11	16
GU93180220	34.14	4	GU95008210	33.44	31	GU98084330	33.08	11
GU93180245	34.14	33	GU95008213	33.19	15	GU98084412	33.09	14
GU93180510	33.28	14	GU95008213	33.32	7	GU98084422	33.09	22
GU93180710	33.29	7	GU95008219	33.34	19	GU98084425	34.01	12
GU93180721	33.27	18	GU95008304	33.39	23	GU98084430	33.09	19
GU93221315	33.44	12	GU95008306	33.10	7	GU98084525	33.28	24
GU93222023	33.39	19	GU95008306	33.28	13	GU98110007	33.09	9
GU93222023	33.44	5	GU95008306	33.40	18	GU98200214	33.35	26
GU93231604	33.25	15	GU95008306	33.44	7	GU98200214	33.37	20
GU93231604	33.26	6	GU95008306	34.14	32	GU98210612	33.21	16
GU93231605	33.25	27	GU95008308	34.15	22	GU98210616	33.32	13
GU93231605	33.26	4	GU95021114	33.22	4	GU98223520	33.29	2
GU93232005	33.28	20	GU95021204	33.44	21	GU98223530	33.28	3
GU93233030	33.09	15	GU95028020	34.16	11	GU98223620	33.35	13
GU93242007	33.22	11	GU95028025	34.16	8	GU98223620	33.37	10
GU93304360	33.24	10	GU95100059	33.28	33	GU98230512	33.41	21
GU93304390	33.45	21	GU95100116	33.10	10	GU98230515	33.25	4
GU93305040	33.08	5	GU95100116	34.07	12	GU98230515	33.45	17
GU93305057	34.07	13	GU95100118	33.27	31	GU98230518	33.28	19
GU93305061	34.07	15	GU95100120	33.22	8	GU98230518	33.28	30
GU93306017	33.05	7	GU95100121	33.41	16	GU98230520	33.25	25
GU93306018	34.11	19	GU95100141	33.41	4	GU98230613	33.35	11
GU93306050	34.43	15	GU95100239	33.09	18	GU98230613	33.37	7
GU93400012	33.39	20	GU95100239	33.23	13	GU98230615	33.28	9
GU93450105	33.40	9	GU95100303	33.19	12	GU98230620	33.34	14
GU93450120	33.39	3	GU95100342	33.36	6	GU98250625	33.27	21
GU93450126	33.40	8	GU95100837	34.04	13	GU98251040	33.22	13
GU93450126	33.41	13	GU95120065	34.02	35	GU98257320	33.38	25
GU93450140	33.39	10	GU95120065	34.04	7	GU98257618	34.13	12
GU93450224	33.41	3	GU95120065	34.11	17	GU98280614	33.20	37
GU93450232	33.40	10	GU95120085	34.11	6	GU98280614	34.15	36
GU93601020	34.16	12	GU95129080	33.44	13	GU98280620	34.14	11
GU93601026	34.16	9	GU95129101	33.05	3	GU98310609	34.07	11
GU94321062	33.22	26	GU95129180	34.02	18	GU98310631	34.01	22
GU94321074	33.38	28	GU95187006	34.12	4	GU98325316	33.44	33
GU94321079	34.12	15	GU95187008	33.09	27	GU98350210	33.08	13
GU94322215	34.02	30	GU95512081	34.01	9	GU98350210	34.07	5
GU95000203	33.44	32	GU95980214	33.20	8	GU98350215	33.28	29
GU95004221	34.16	10	GU95980216	34.11	22	GU98350312	33.08	12



Code	N.Tafel	Pos.
GU98350312	33.35	29
GU98350318	33.18	12
GU98350318	33.22	32
GU98350318	33.28	16
GU98350318	33.40	6
GU98350320	33.10	6
GU98350320	33.27	20
GU98350320	33.36	18
GU98350320	33.41	15
GU98350416	33.27	14
GU98350540	33.21	11
GU98370412	33.25	13
GU98370412	33.26	7
GU98370515	33.26	3
GU98370515	33.29	10
GU98370612	33.26	8
GU98370616	33.10	4
GU98370616	33.18	4
GU98370616	33.27	22
GU98370616	33.36	4
GU98370619	33.26	9
GU98370621	33.27	4
GU98370621	33.28	31
GU98370831	33.27	11
GU98370835	33.09	4
GU98370840	33.30	3
GU98370845	33.25	7
GU98622216	33.23	7
GU98622420	33.23	11
GU98632322	33.18	13
GU98680110	33.44	30
GU98680265	34.42	4
GU98680330	34.15	29
GU98680335	34.01	17
GU98680335	34.12	7
GU98680335	34.14	31
GU98680335	34.15	31
GU98680340	34.14	26
GU98680345	33.38	19
GU98680345	34.14	26
GU98680410	33.18	5
GU98680435	34.14	29
GU98680440	34.14	28
GU98680445	34.14	27
GU98680465	33.25	17
GU98680525	33.21	4
GU98680616	33.32	10
GU98682125	33.44	20
GU98682212	33.44	15
GU98682310	33.39	21
GU98682310	33.44	23
GU98682316	33.19	9
GU98682316	33.36	31
GU98682320	33.36	12
GU98682320	33.40	16
GU98682320	34.42	12
GU98682322	34.01	30
GU98682325	33.36	8
GU98682325	34.01	16
GU98682325	34.02	39
GU98682325	34.07	9
GU98682330	34.14	30
GU98682418	33.22	40
GU98682430	33.30	17
GU98682430	33.36	36
GU98682430	33.38	5
GU98682430	34.11	7

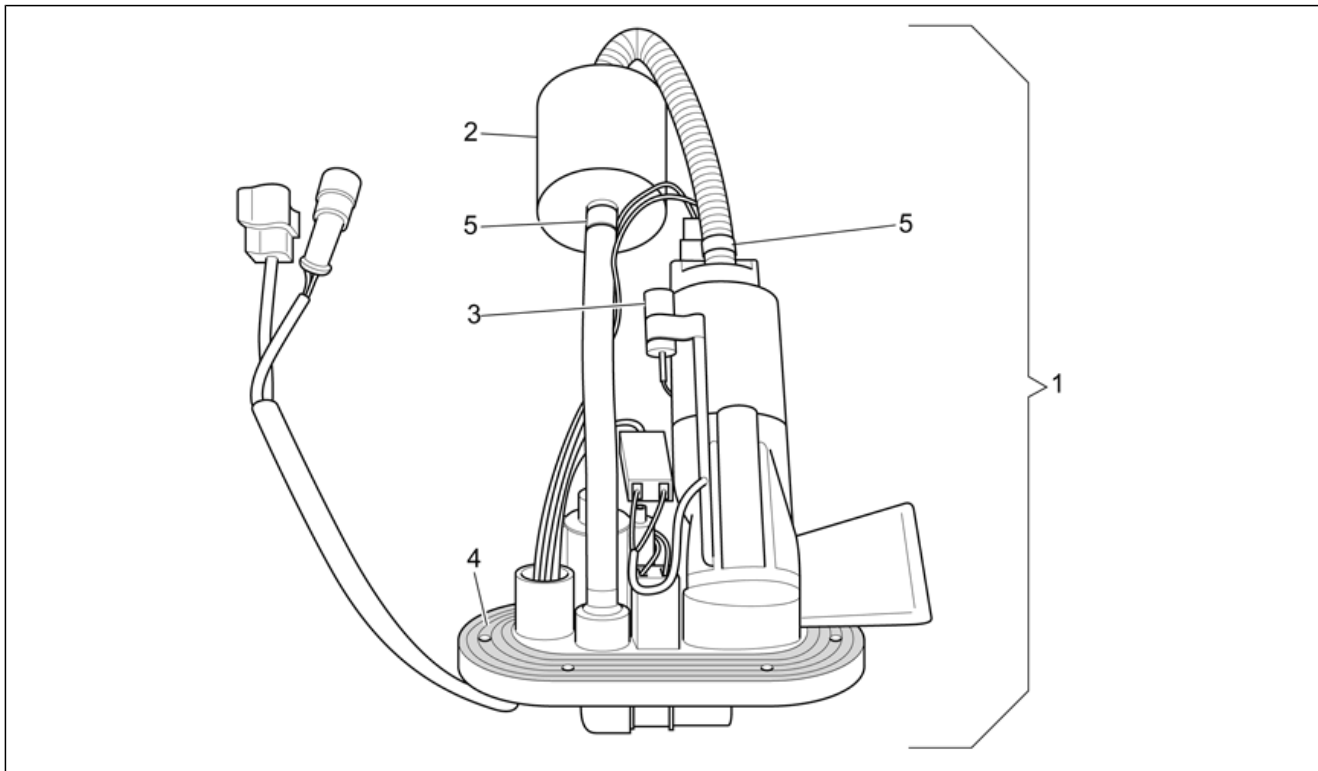
Code	N.Tafel	Pos.
GU98682430	34.14	29
GU98682635	33.21	18
GU98683530	33.35	24
GU98690230	33.23	6
GU98832430	33.19	3
GU98872120	33.39	27
GU98880540	33.21	12
GU98882425	33.22	42
GU98882530	33.21	12

Groep	FRAME
Code	33.05
Beschrijving	Fuel supply
Revisie	1



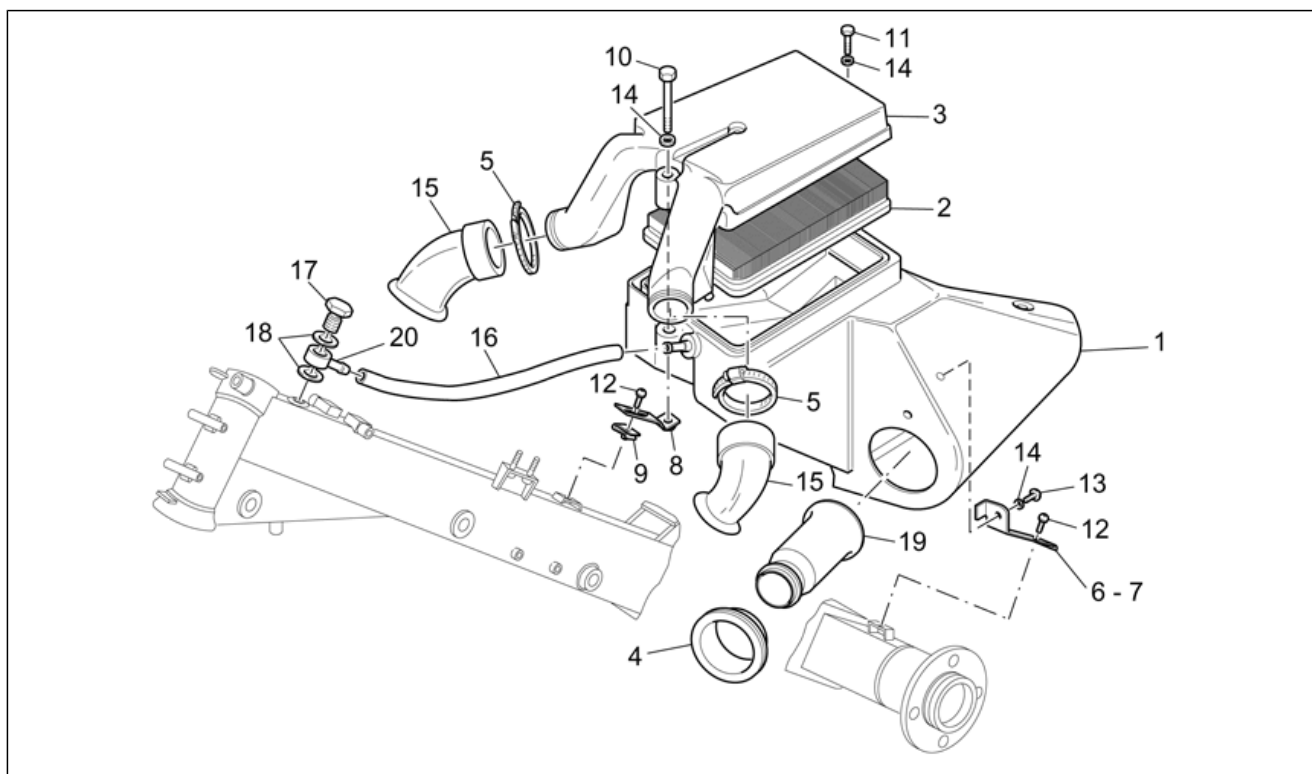
Pos.	Code	Beschrijving	Aant.	Varianten
1	GU01107290	Benzinepomp cpl.	1	
2	GU98084216	Registerbout	6	
3	GU95129101	Sluitring	6	
4	GU01106692	Verbinding	2	
5	GU28157950	Klikband 12,5x8	2	
6	GU00823952080	Benzineleiding SAEJ30R9	0	
7	GU93306017	Klemmetje	4	

Groep	FRAME
Code	33.06
Beschrijving	Internal fuel pump
Revisie	1



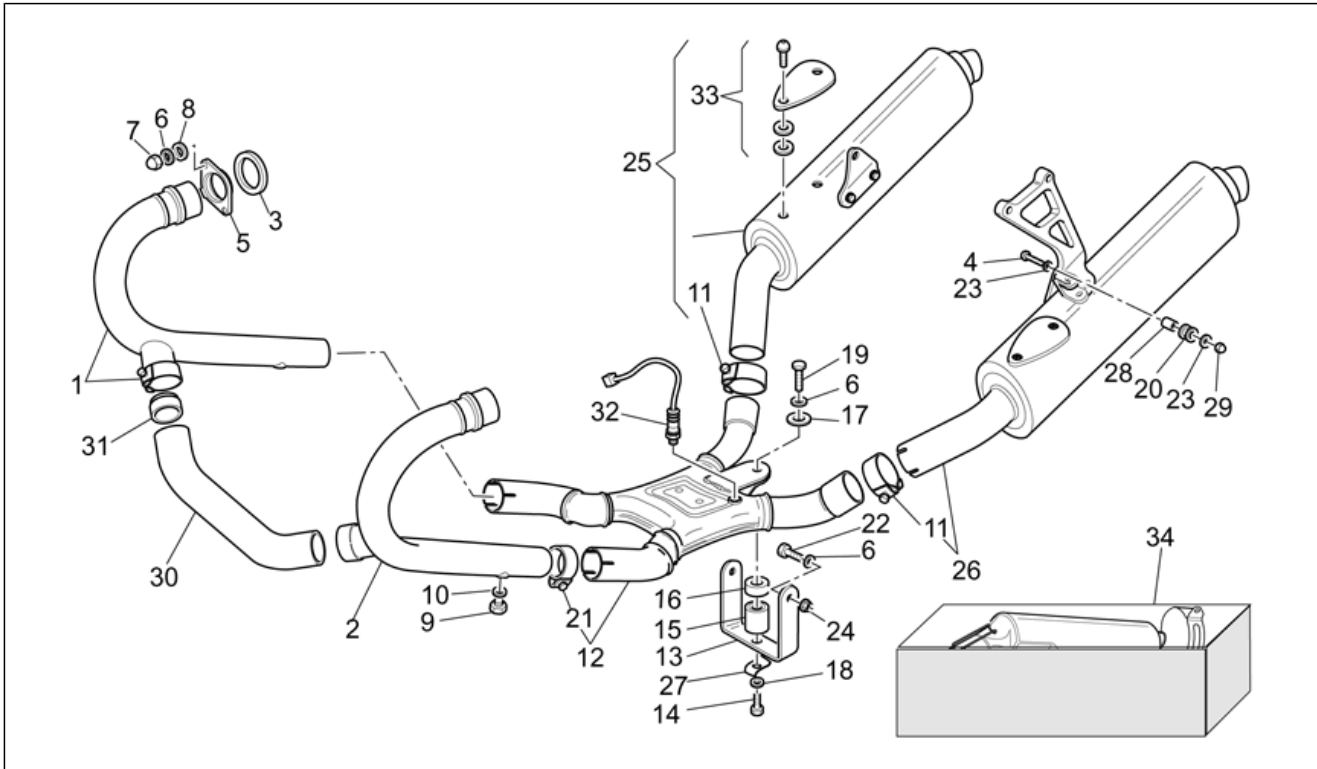
Pos.	Code	Beschrijving	Aant.	Varianten
1	GU01107290	Benzinepomp cpl.	1	
2	GU01106090	Benzinefilter	1	
3	GU01103090	Thermistor	1	
4	GU01107490	Pakking flens	1	
5	GU01108490	Klemmetje 11,3	4	

Groep	FRAME
Code	33.08
Beschrijving	Air box
Revisie	1



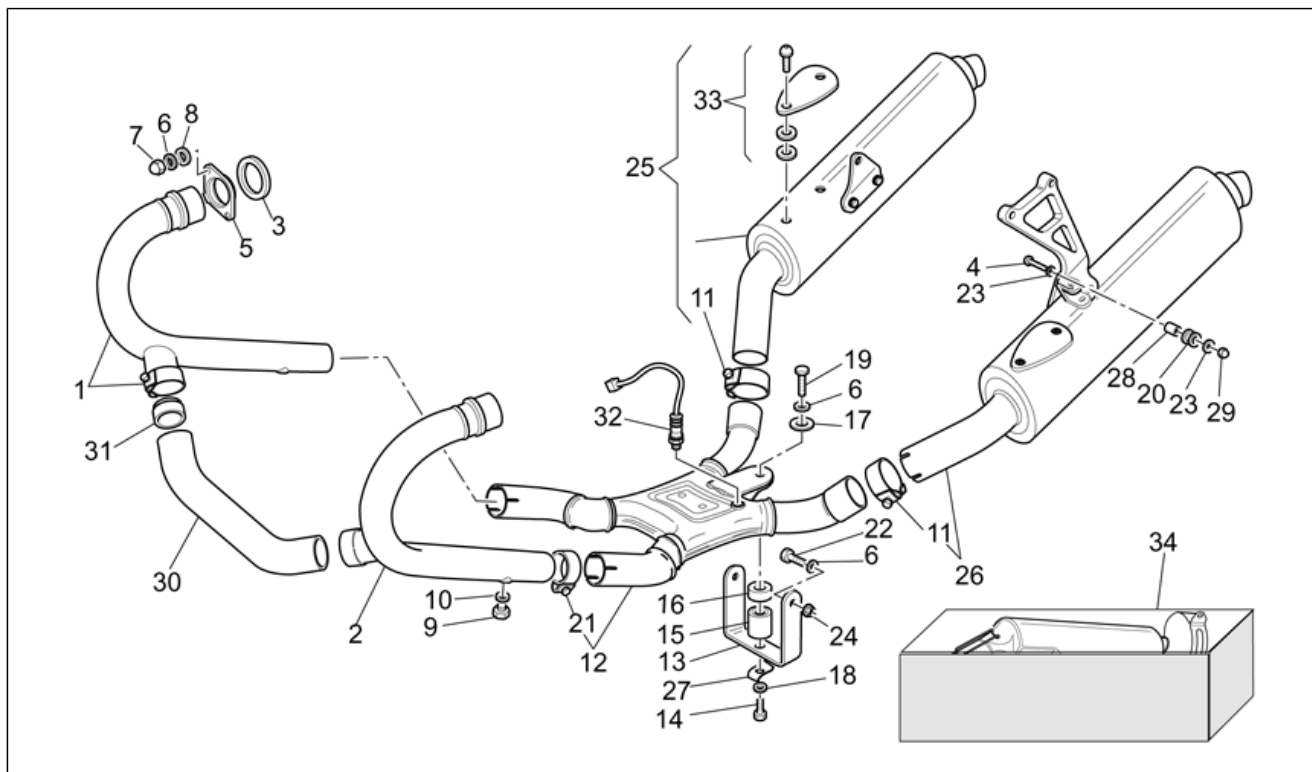
Pos.	Code	Beschrijving	Aant.	Varianten
1	GU01114031	Filterkast	1	
2	GU30113600	Luchtfilter	1	
3	GU01113490	Bedekking filter	1	
4	GU37114806	Mof	2	
5	GU93305040	Klemmetje	2	
6	GU01116730	Plaat re	1	
7	GU01116731	Plaat li	1	
8	GU01114130	Plaat voor.	1	
9	GU28576591	Clip M6	1	
10	GU98082380	Bout M6x80	1	
11	GU98084330	Bout M6x30	1	
12	GU98350312	Bolbout met binnenzeskant M6x12	3	
13	GU98350210	Bolbout met binnenzeskant	2	
14	GU95008206	Sluitring 6,15x11x0,8	4	
15	GU02116901	Aanzuigmof	2	
16	GU00823956080	Rubberen buis 12,5X7,8 5/16"	1	
17	GU95990084	Geperfor. bout	1	
18	GU01154230	Pakking in aluminium	2	
19	GU01114400	Hoorn verbinding	2	
20	GU30107401	Verbinding	1	

Groep	FRAME
Code	33.09
Beschrijving	Exhaust unit
Revisie	1



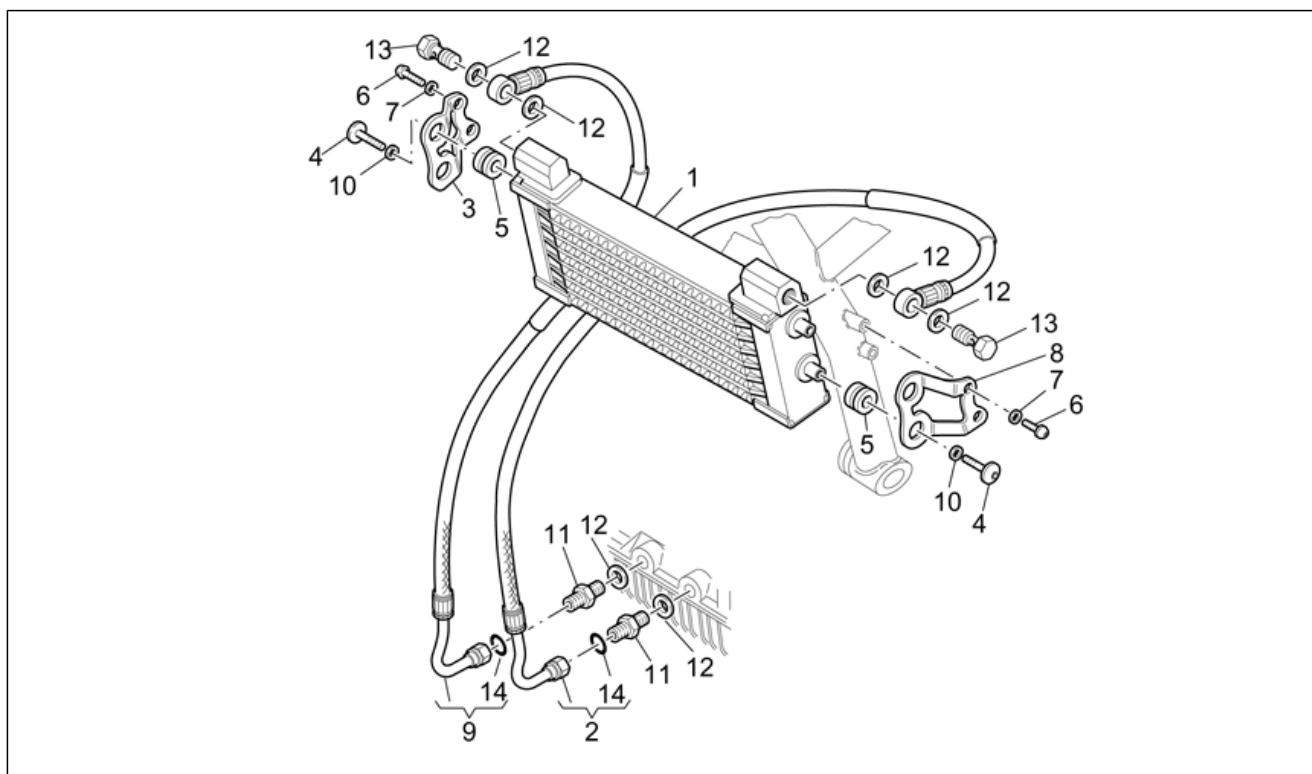
Pos.	Code	Beschrijving	Aant.	Varianten
1	GU01120990	Buis afvoer re	1	
2	GU01120991	Buis uitlaat li	1	
3	GU90718370	Pakking	2	
4	GU98370835	Bout	2	
5	GU01121030	Flens	2	
6	GU14615901	Sluitring 8,4X13X0,8	8	
7	GU92787008	Moer blind M8x1,25	4	
8	GU95005308	Sluitring 8,4x14,57x1,6	4	
9	GU98110007	Dop	2	
10	GU30109330	Pakking	2	
11	GU01126930	Klemmetje	2	
12	GU01123931	Expansiekamer	1	LAND:United States of America[USA] Technical Specifications:NO catalytic version[nocat]
12	GU01123990	Expansiekamer	1	Technical Specifications:Catalytic version[cat]
13	GU01123830	Beugel	1	
14	GU98084412	Bout	1	
15	GU93233030	Silent-block	1	
16	GU30126700	Afstandhouder ond.	1	
17	GU30126701	Afstandhouder bov.	1	
18	GU95100239	Sluitring	1	
19	GU98084430	Bout	1	
20	GU14103400	Rubbertje	2	
21	GU01123430	Klemmetje	2	
22	GU98084422	Zeskantbout geflenst M8x22	2	
23	GU95005309	Sluitring	4	
24	GU92650108	Moer	2	
25	GU01123061	Geluiddemper re	1	LAND:United States of America[USA] Technical Specifications:NO catalytic version[nocat]

Groep	FRAME
Code	33.09
Beschrijving	Exhaust unit
Revisie	1



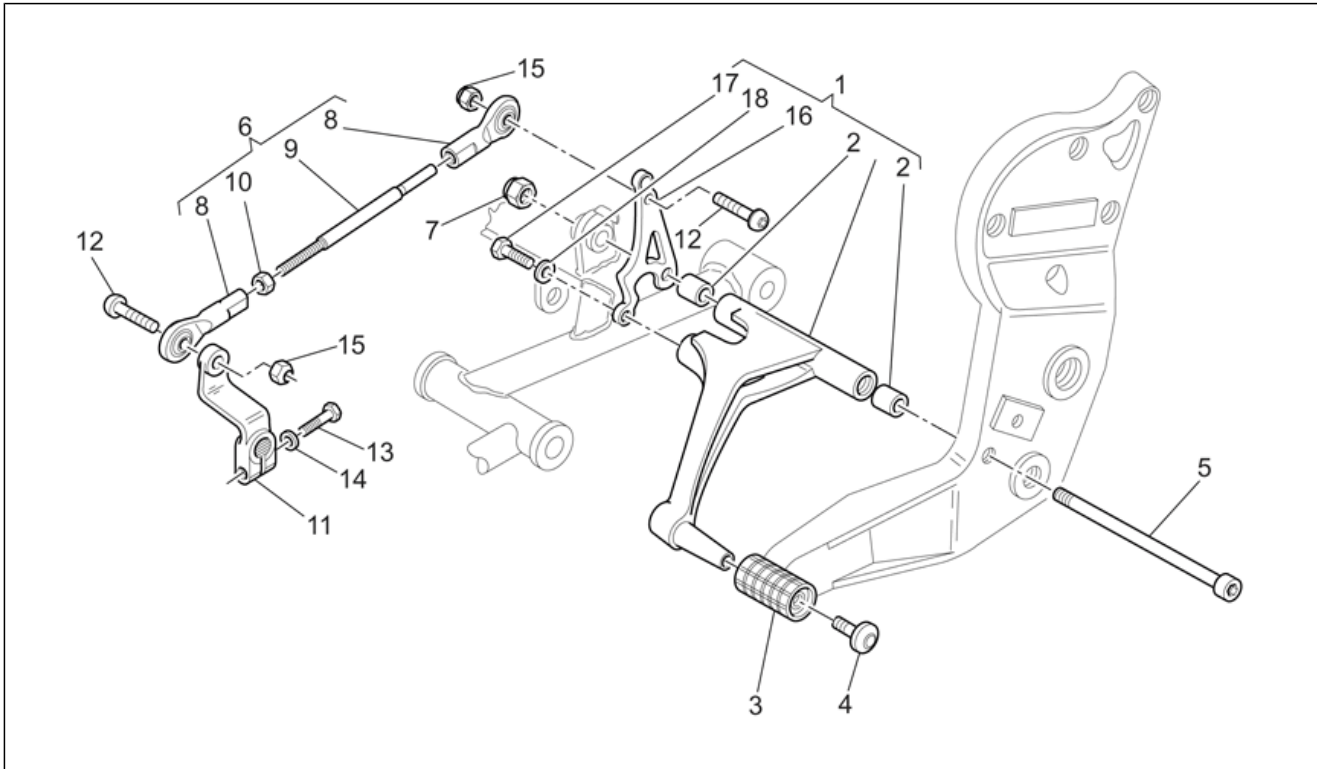
Pos.	Code	Beschrijving	Aant.	Varianten
25	GU01123090	Geluiddemper re	1	Technical Specifications: Catalytic version[cat]
26	GU01122961	Geluiddemper li	1	LAND: United States of America[USA] Technical Specifications: NO catalytic version[nocat]
26	GU01122990	Geluiddemper li	1	Technical Specifications: Catalytic version[cat]
27	GU95187008	Plaatje	1	
28	GU91180819	Afstandhouder	2	
29	GU92650138	Moer M8x1,25	1	
30	GU01122691	Buis	1	
31	GU91113230	Pakking	2	
32	GU32727010	Lambdasonde	1	Technical Specifications: Catalytic version[cat]
33	GU400086800910	Kit bescherming geluiddemper	1	
34	GU973260900014	Kit uitlaat TITANIUM	1	Technical Specifications: V11 Coppa Italia[C.I.]

Groep	FRAME
Code	33.10
Beschrijving	Oil cooler
Revisie	1



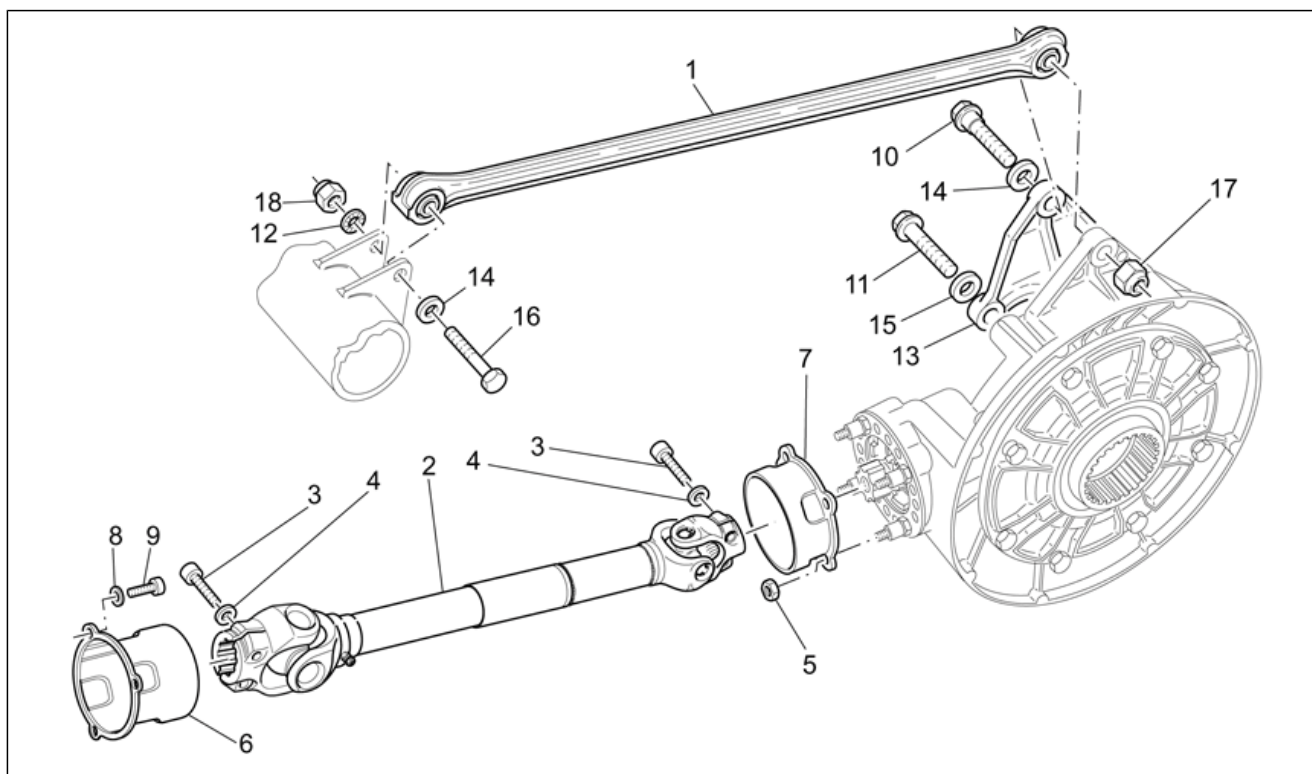
Pos.	Code	Beschrijving	Aant.	Varianten
1	GU01162030	Radiator olie cpl.	1	
2	GU01162390	Leiding terugloop olie	1	
3	GU01164231	Beugel re	1	
4	GU98370616	Bolbout met binnenzeskant M6x16 inox	4	
5	GU91551132	Rubbertje	4	
6	GU98350320	Bolbout met binnenzeskant M6x20	4	
7	GU95008306	Sluitring 6,4x12x1,2	4	
8	GU01164431	Beugel li	1	
9	GU01161690	Toevoerleiding	1	
10	GU95100116	Sluitring 6,25x10x1,5	4	
11	GU01161331	Reductie	2	
12	GU01154230	Pakking in aluminium	6	
13	GU01161730	Geperfor. bout	2	
14	GU90706010	OR-ring	4	

Groep	FRAME
Code	33.18
Beschrijving	Gear lever
Revisie	1



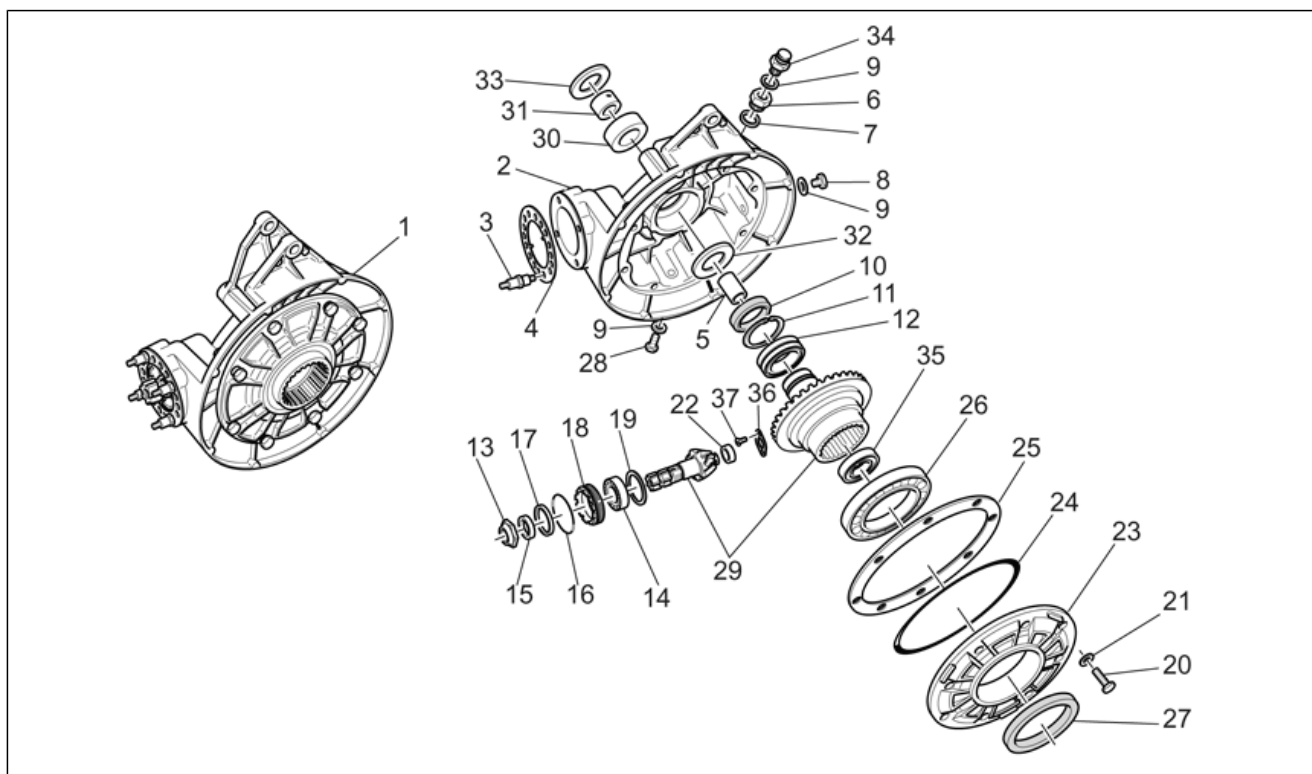
Pos.	Code	Beschrijving	Aant.	Varianten
1	GU01250830	Versn.hendel cpl.	1	
2	GU04217600	Huls	2	
3	GU14251001	Rubbertje	1	
4	GU98370616	Bolbout met binnenzeskant M6x16 inox	1	
5	GU98680410	Bout	1	
6	GU01257830	Trekker cpl.	1	
7	GU92630208	Moer	1	
8	GU30675300	Sfeervormig buigpunt	2	
9	GU96506089	Trekker	1	
10	GU92606206	Moer	1	
11	GU01256932	Hendel voorschakelaar	1	
12	GU98350318	Bolbout met binnenzeskant	2	
13	GU98632322	Bout	1	
14	GU61013800	Speciale sluitring	1	
15	GU92630707	Moer	2	
16	GU01258230	Hendel	1	
17	GU98084314	Zeskantbout	1	
18	GU14217901	Gekart. sluitring 6,4x10x0,7	1	

Groep	FRAME
Code	33.19
Beschrijving	Transmission complete I
Revisie	1



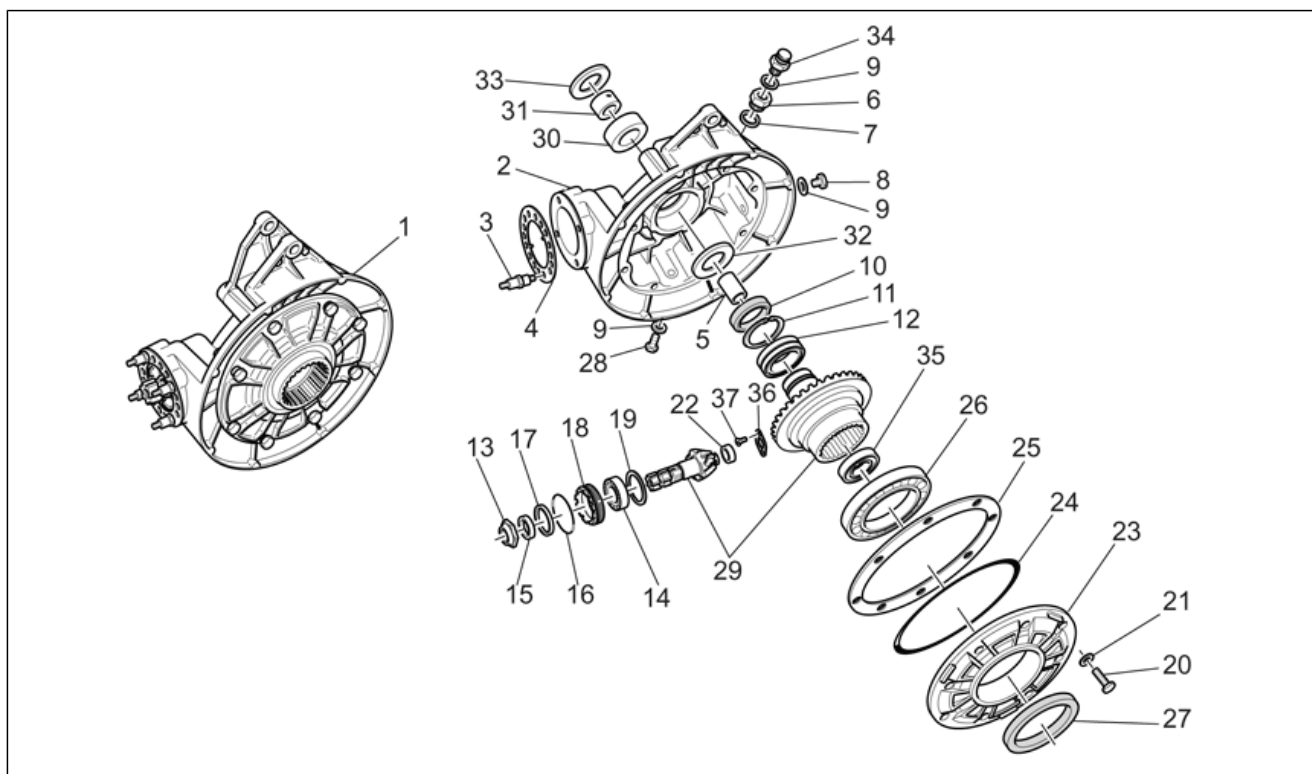
Pos.	Code	Beschrijving	Aant.	Varianten
1	GU01358890	Reactiestaaf cpl.zwart	1	
2	GU01358730	Drijfjas	1	
3	GU98832430	Bout	4	
4	GU14615901	Sluitring 8,4X13X0,8	4	
5	GU92640506	Moer M6	4	
6	GU01358690	Bescherming zwart	1	
7	GU01358390	Bescherming zwart	1	
8	GU14217901	Gekart. sluitring 6,4x10x0,7	3	
9	GU98682316	Binnenkantbout M6x16	3	
10	GU30357800	Bout M10x69	1	
11	GU04558700	Bout	2	
12	GU95100303	Afstandhouder	1	
13	GU01351090	Plaat ext.zwart	1	
14	GU19149800	Sluitring 10,5x16x1	2	
15	GU95008213	Sluitring 12,2X20X2	2	
16	GU01357731	Bout M10x59	1	
17	GU92630410	Moer M10x1,25	1	
18	GU92630210	Moer	1	

Groep	FRAME
Code	33.20
Beschrijving	Transmission complete II
Revisie	1



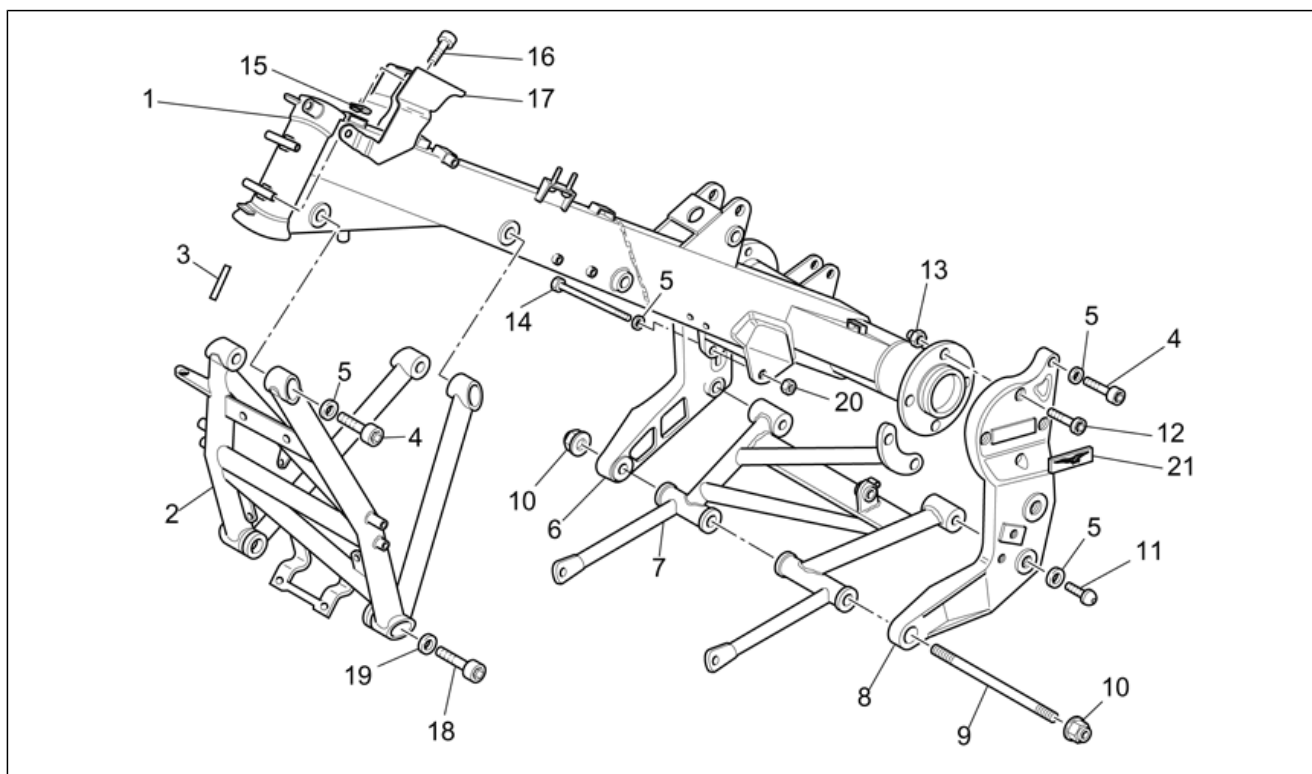
Pos.	Code	Beschrijving	Aant.	Varianten
1	GU01350290	Doos transmissie cpl.zwart	1	
2	GU01350390	Doos transm. zwart	1	
3	GU04357900	Kolommetje	4	
4	GU04358700	Moer	1	
5	GU01356930	Afstandhouder	1	
6	GU01351230	Oliedop	1	
7	GU01154230	Pakking in aluminium	1	
8	GU95980214	Dop oliepeil	1	
9	GU01528930	Pakking 10x18x1,5	3	
10	GU90413850	Dichtingsring 38X50X7	1	
11	GU90353040	Seegerring	1	
12	GU92234055	Rollager 40X45X55	1	
13	GU04356700	Moer	1	
14	GU92201926	Lager 25X62X25,4	2	
15	GU04356800	Afstandhouder	1	
16	GU90706616	OR-ring 61,60X2,62	1	
17	GU90403257	Dichtingsring 32X52X7	1	
18	GU04354900	Moer	1	
19	GU04355300	Dikte 1,5 mm	1	
19	GU04355301	Dikte 1,6 mm	1	
19	GU04355302	Dikte 1,7 mm	1	
19	GU04355303	Dikte 1,8 mm	1	
19	GU04355304	Dikte 1,9 mm	1	
20	GU19357660	Bout	8	
21	GU14615901	Sluitring 8,4X13X0,8	8	
22	GU92231216	Rollager 12X24X16	1	
23	GU04350400	Flens voor doos	1	
24	GU90706958	OR-ring 158,42X2,62	1	

Groep	FRAME
Code	33.20
Beschrijving	Transmission complete II
Revisie	1



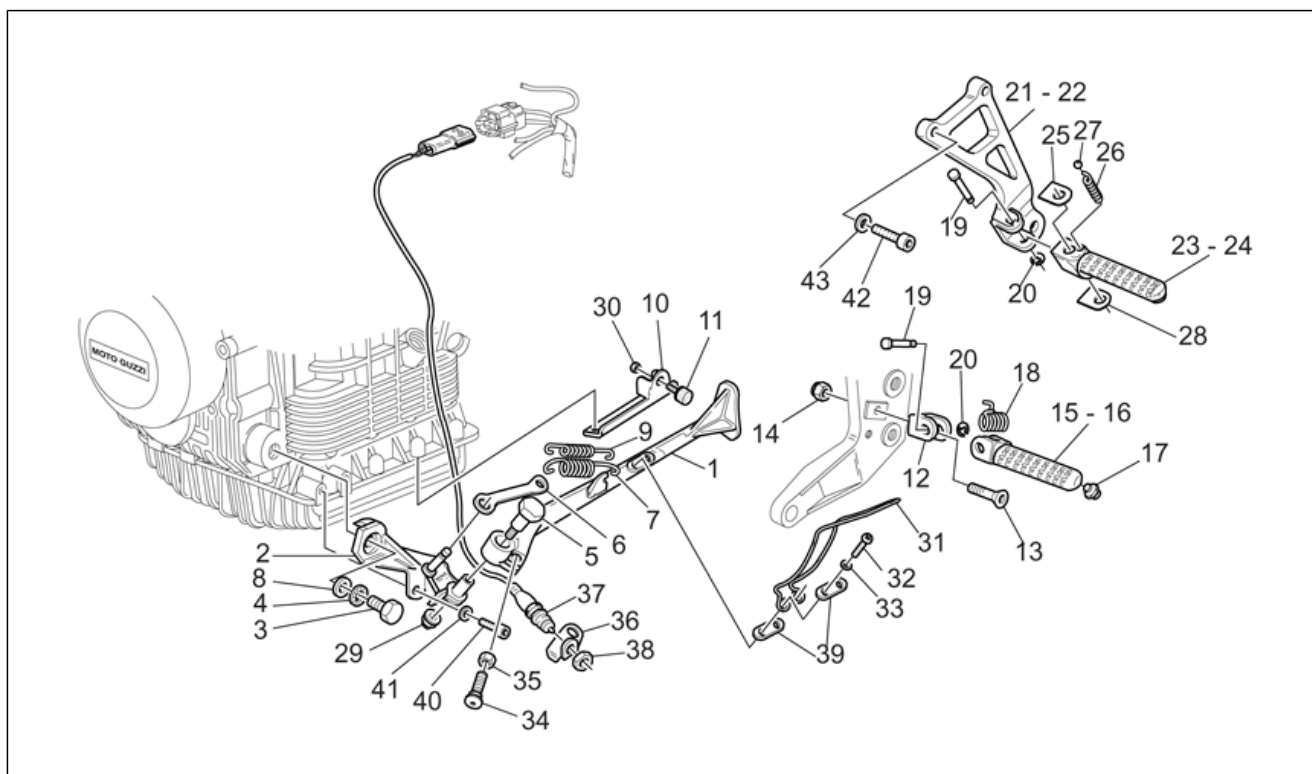
Pos.	Code	Beschrijving	Aant.	Varianten
25	GU04355100	Dikte 0,6 mm	1	
25	GU04355101	Dikte 0,7 mm	1	
25	GU04355102	Dikte 0,8 mm	1	
25	GU04355103	Dikte 0,9 mm	1	
25	GU04355104	Dikte 1 mm	1	
25	GU04355105	Dikte 1,1 mm	1	
25	GU04355106	Dikte 1,2 mm	1	
26	GU92208014	Lager 80X125X14	1	
27	GU90417085	Dichtingsring 70X85X8	1	
28	GU31003766	Afvoerprop olie M10x1	1	
29	GU01354630	Conisch koppel 11/32	1	
30	GU92252225	Rollager	1	
31	GU92259025	Ring	1	
32	GU04351900	Sluitring	1	
33	GU37359005	Sluitring	1	
34	GU19206501	Dop ontluuchting	1	
35	GU92201821	Lager 20x52x15	1	
36	GU04353801	Flens blokk.	1	
37	GU98280614	Bout M6x14	2	

Groep	FRAME
Code	33.21
Beschrijving	Frame
Revisie	1



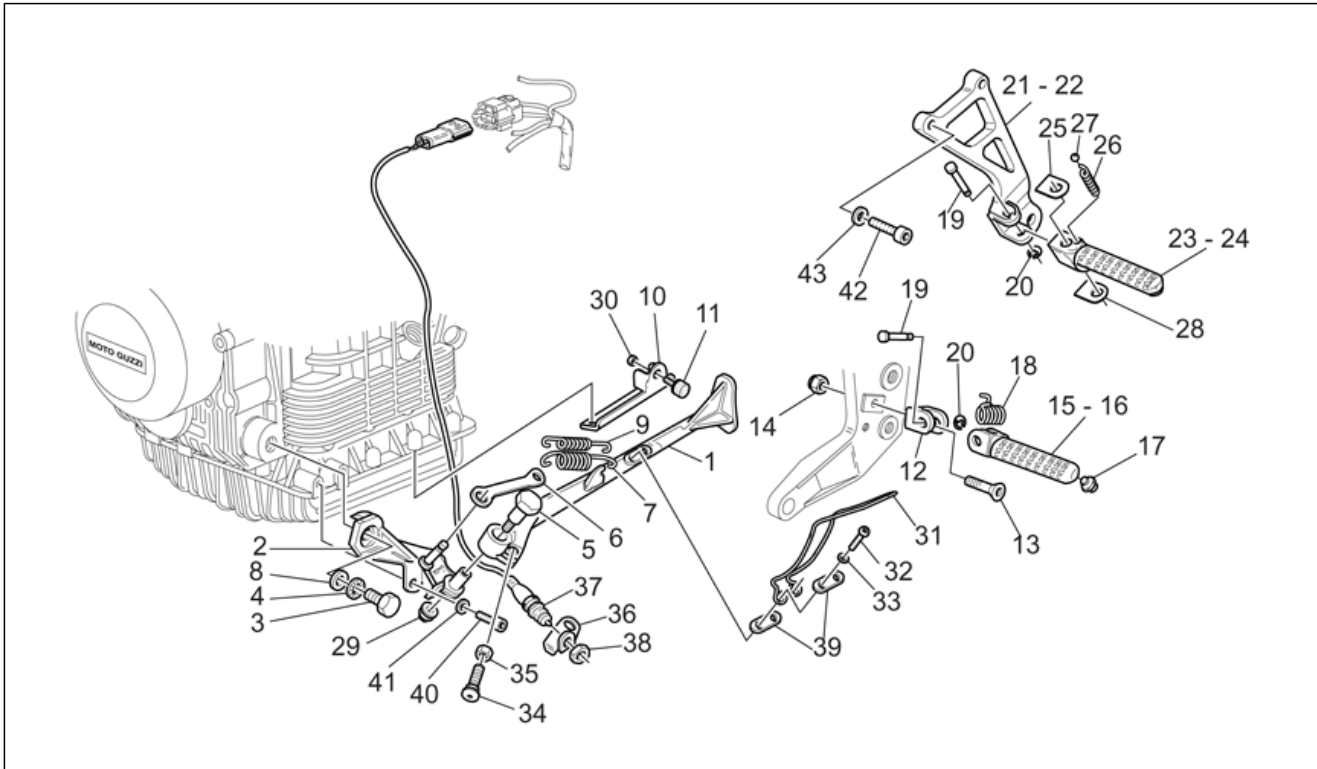
Pos.	Code	Beschrijving	Aant.	Varianten
1	GU01400160	Frame	1	
2	GU01420290	Frame voor.	1	
3	GU02931600	Plaat bescherming	1	
4	GU98680525	Bout	4	
5	GU19149800	Sluitring 10,5x16x1	13	
6	GU01415780	Plaat re bruin	1	Technical Specifications: V11 Cafè Sport[C.S.]
6	GU01415790	Plaat re rood	1	Technical Specifications: V11 Coppa Italia[C.I.], V11 Scura R[S.R.]
6	GU01415791	Plaat re grijs	1	Technical Specifications: V11 SPORT BALLABIO[B.]
7	GU01420160	Framepje verbinding platen	1	
8	GU01415880	Plaat li bruin	1	Technical Specifications: V11 Cafè Sport[C.S.]
8	GU01415890	Plaat li rood	1	Technical Specifications: V11 Coppa Italia[C.I.], V11 Scura R[S.R.]
8	GU01415891	Plaat li grijs	1	Technical Specifications: V11 SPORT BALLABIO[B.]
9	GU30419601	Stiftbout	1	
10	GU92660113	Moer	2	
11	GU98350540	Bout	1	
12	GU98880540	Bout M10x40	2	
12	GU98882530	Bout M10x30	6	
13	GU92630210	Moer	7	
14	GU98082595	Bout	1	
15	GU28576591	Clip M6	1	
16	GU98210612	Bolbout met binnenzeskant, geflenst M6x12	1	
17	GU01575960	Wand	1	
18	GU98682635	Bout	2	
19	GU30217900	Sluitring 13x18x1,7	2	
20	GU92640510	Moer	1	
21	GU01517700	Plaat "Aquila"	2	

Groep	FRAME
Code	33.22
Beschrijving	Lateral stand - Foot rests
Revisie	1



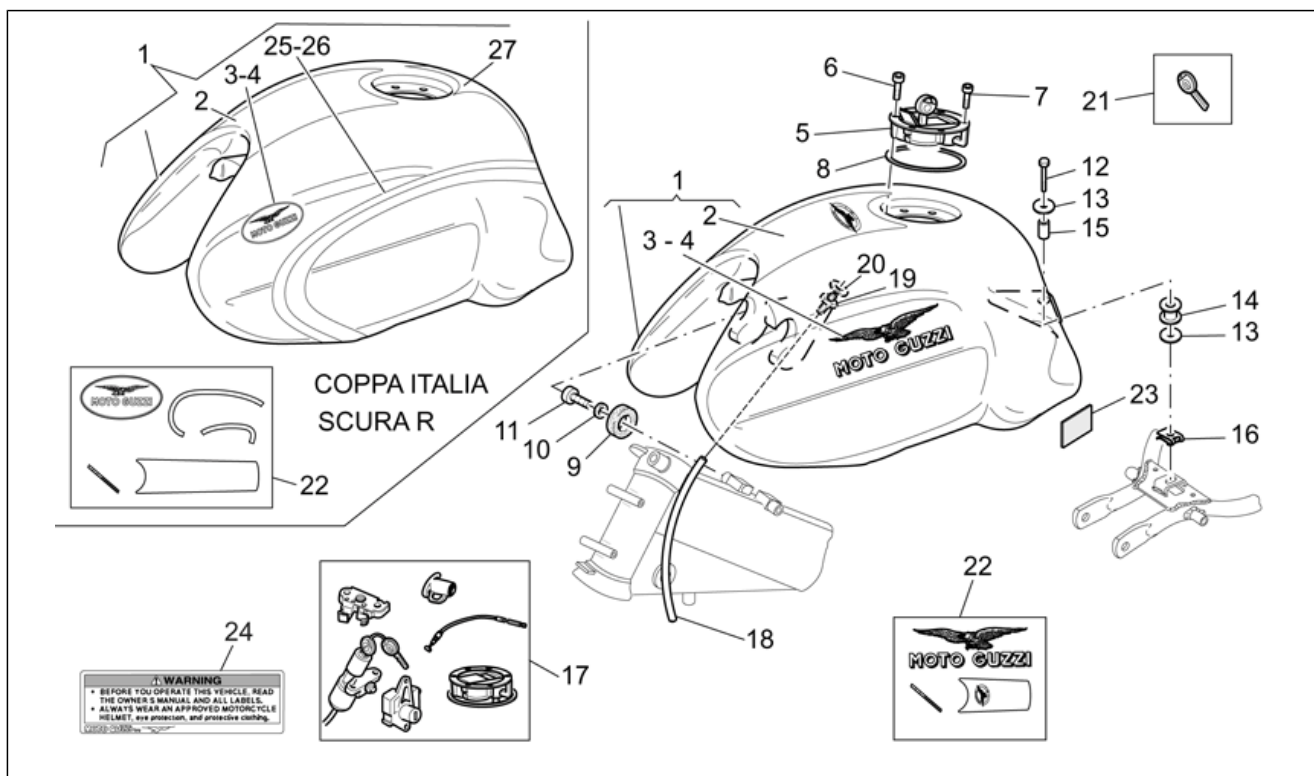
Pos.	Code	Beschrijving	Aant.	Varianten
1	GU01432190	Laterale standaard	1	
2	GU01433460	Plaat	1	
3	GU30432801	Bout	1	
4	GU95021114	Speciale sluitring	1	
5	GU01433201	Bout	1	
6	GU01432730	Plaatje	1	
7	GU30434001	Veer ext.	1	
8	GU95100120	Sluitring	1	
9	GU30434000	Veer int.	1	
10	GU01433600	Plaatje	1	
11	GU93242007	Buffer	1	
12	GU30442705	Steun	2	
13	GU98251040	Bout	2	
14	GU92640510	Moer	2	
15	GU30440705	Voetensteun bestuurder re	1	
16	GU30441805	Voetensteun bestuurder li	1	
17	GU30441005	Pin	2	
18	GU30441105	Terugslagveer	2	
19	GU30442205	Pin	4	
20	GU90280006	Blokkeerring	4	
21	GU01444640	Beugel re zwart	1	
22	GU01444740	Beugel li zwart	1	
23	GU30442405	Voetenst.pass. re	1	
24	GU30442805	Voetenst. pass.li	1	
25	GU30443105	Plaat eindeloop voetensteun	2	
26	GU94321062	Veer	2	
27	GU92295706	Bol	2	
28	GU30441605	Plaatje	2	

Groep	FRAME
Code	33.22
Beschrijving	Lateral stand - Foot rests
Revisie	1



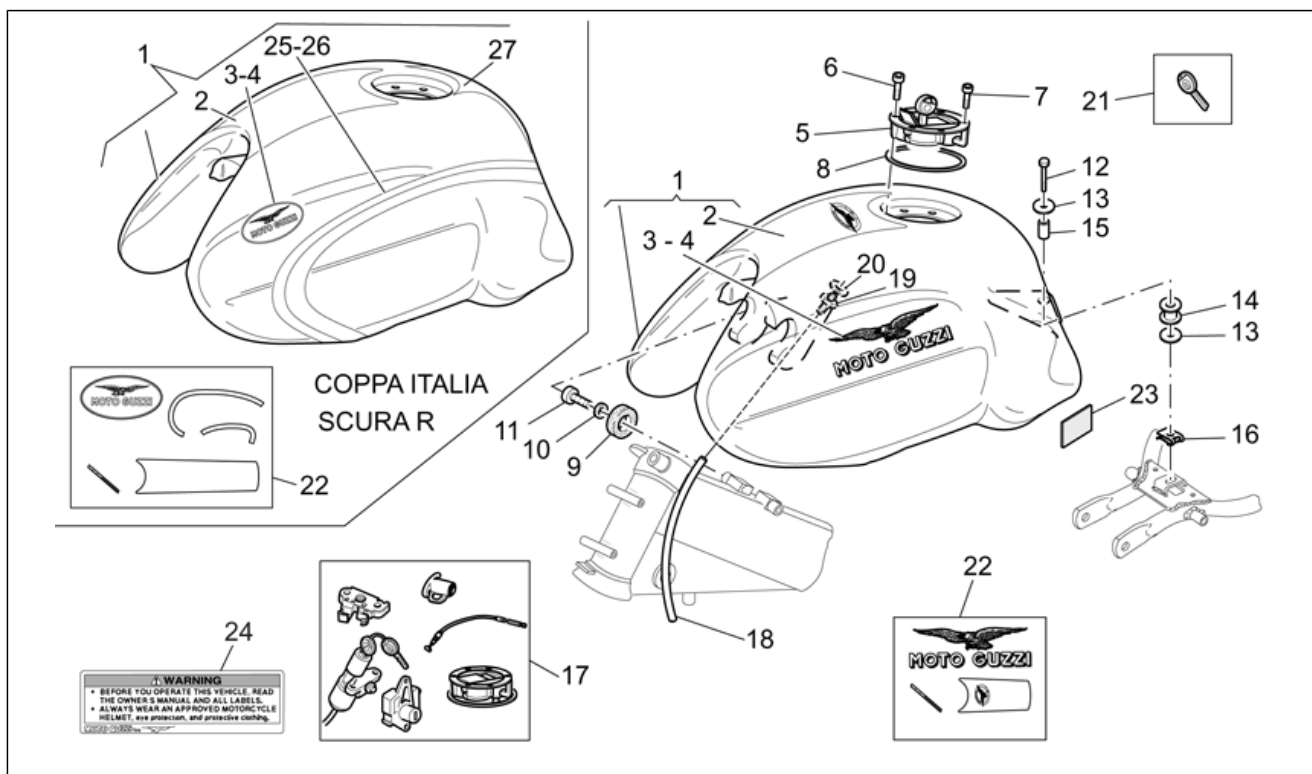
Pos.	Code	Beschrijving	Aant.	Varianten
29	GU92630310	Moer	1	
30	GU92650036	Moer geflenst M6	1	
31	GU01431930	Hendel	1	
32	GU98350318	Bolbout met binnenzeskant	2	
33	GU14217901	Gekart. sluitring 6,4x10x0,7	2	
34	GU97040220	Bout	1	
35	GU92606205	Moer	1	
36	GU01433860	Plaatje	1	
37	GU01759130	Schakelaar	1	
38	GU92606508	Moer	1	
39	GU01431830	Flens	2	
40	GU98682418	Bout	1	
41	GU95005311	Sluitring	1	
42	GU98882425	Bout	4	
43	GU14615901	Sluitring 8,4X13X0,8	4	

Groep	FRAME
Code	33.23
Beschrijving	Fuel tank
Revisie	1



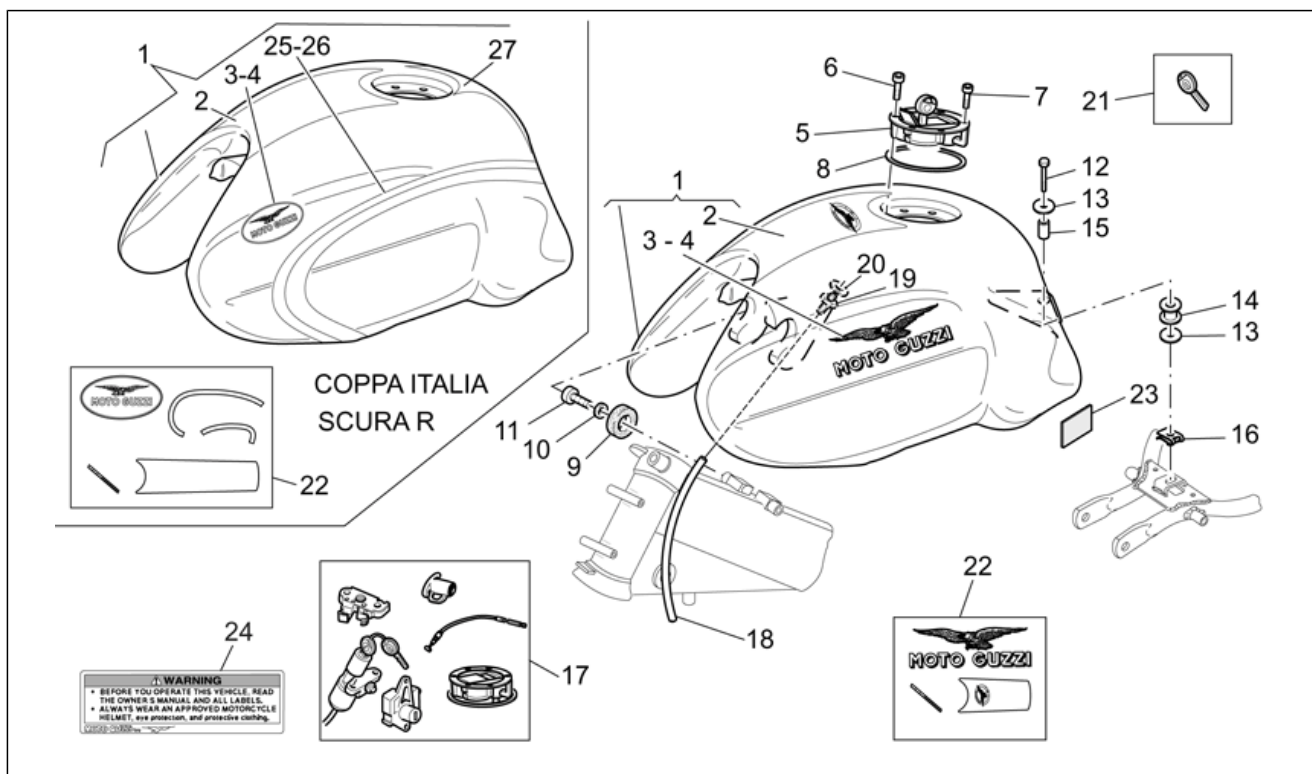
Pos.	Code	Beschrijving	Aant.	Varianten
1	GU01100280	Benzinetank brons	1	LAND: Australia[AUS], Other country[EU], Japan[J], New Zealand[NZ], Great Britain[UK] Technical Specifications: V11 Cafè Sport[C.S.]
1	GU01100282	Brandstoftank grijs	1	Kleur van het voertuig: V11 Sport Ballabio Grey 2003[B.G.] LAND: Australia[AUS], Other country[EU], Japan[J], New Zealand[NZ], Great Britain[UK] Technical Specifications: V11 SPORT BALLABIO[B.]
1	GU01100284	Brandstoftank zwart	1	LAND: Australia[AUS], Other country[EU], Japan[J], New Zealand[NZ], Great Britain[UK] Technical Specifications: V11 Scura R[S.R.]
1	GU01100288	Benzinetank silver/rood	1	LAND: Australia[AUS], Other country[EU], Japan[J], New Zealand[NZ], Great Britain[UK] Technical Specifications: V11 Coppa Italia[C.I.]
1	GU01100290	Brandstoftank ruw	1	Kleur van het voertuig: Blank[GR] LAND: Australia[AUS], Other country[EU], Japan[J], New Zealand[NZ], Great Britain[UK]
1	GU89000494	Brandstoftank rood	1	Kleur van het voertuig: V11 Sport Ballabio Red 2003[B.R.] LAND: Australia[AUS], Other country[EU], Japan[J], New Zealand[NZ], Great Britain[UK] Technical Specifications: V11 SPORT BALLABIO[B.]
2	GU01917580	Decalco voor.rood	1	Technical Specifications: V11 Scura R[S.R.]
2	GU01917588	Decalco centrale band	1	Technical Specifications: V11 Coppa Italia[C.I.]
2	GU01917591	Decalco centrale band	1	Technical Specifications: V11 SPORT BALLABIO[B.], V11 Cafè Sport[C.S.]
3	GU01917880	Decalcomanie re "Moto Guzzi"	1	Kleur van het voertuig: V11 Sport Ballabio Grey 2003[B.G.] Technical Specifications: V11 SPORT BALLABIO[B.]
3	GU01917880	Decalcomanie re "Moto Guzzi"	1	Technical Specifications: V11 Cafè Sport[C.S.]
3	GU01917890	Decalcomanie re "Moto Guzzi"	1	Kleur van het voertuig: V11 Sport Ballabio Red 2003[B.R.] Technical Specifications: V11 SPORT BALLABIO[B.]
3	GU03917810	Dec."MotoGuzzi" re rood/goud	1	Technical Specifications: V11 Coppa Italia[C.I.], V11 Scura R[S.R.]
4	GU01917980	Decalcomanie li "Moto Guzzi"	1	Kleur van het voertuig: V11 Sport Ballabio Grey 2003[B.G.] Technical Specifications: V11 SPORT BALLABIO[B.]

Groep	FRAME
Code	33.23
Beschrijving	Fuel tank
Revisie	1



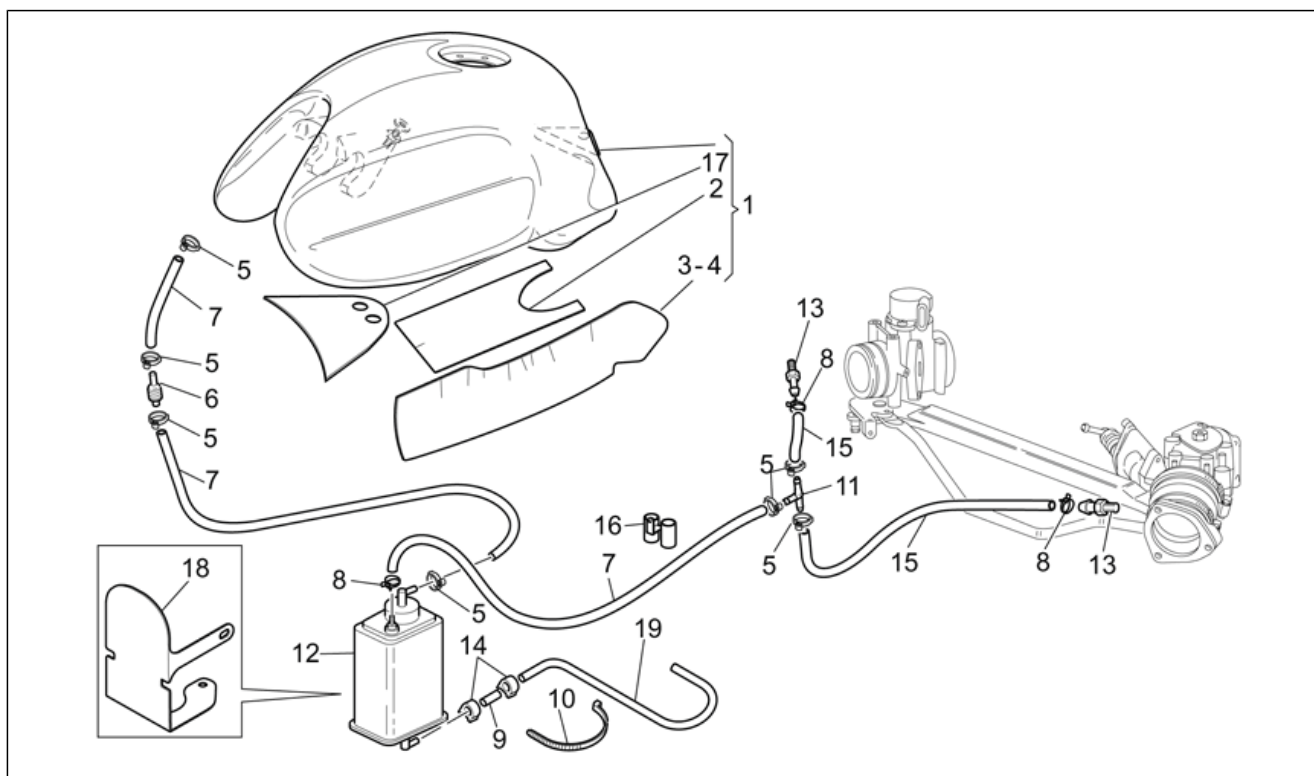
Pos.	Code	Beschrijving	Aant.	Varianten
4	GU01917980	Decalcomanie li "Moto Guzzi"	1	Technical Specifications: V11 Cafè Sport[C.S.]
4	GU01917990	Decalcomanie li "Moto Guzzi"	1	Kleur van het voertuig: V11 Sport Ballabio Red 2003[B.R.] Technical Specifications: V11 SPORT BALLABIO[B.]
4	GU03917910	Dec.li "MotoGuzzi" rood/goud	1	Technical Specifications: V11 Coppa Italia[C.I.], V11 Scura R[S.R.]
5	GU01103980	Dop brandstoftank	1	LAND: Australia[AUS], Other country[EU], Japan[J], New Zealand[NZ], Great Britain[UK]
5	GU01103981	Dop brandstoftank	1	LAND: United States of America[USA]
6	GU98690230	Binnenzeskantbout	3	
7	GU98622216	Bout	4	
8	GU01101700	Pakking	1	
9	GU66103415	Rubbertje	2	
10	GU14615901	Sluitring 8,4X13X0,8	2	
11	GU98622420	Bout	2	
12	GU98082445	Bout	1	
13	GU95100239	Sluitring	2	
14	GU02107100	Rubbertje	1	
15	GU91180831	Afstandhouder	1	
16	GU01576530	Kramv. moer M8x1,25	1	
17	GU01736880	Stuurslot eenheid	1	LAND: Australia[AUS], Other country[EU], Japan[J], New Zealand[NZ], Great Britain[UK]
17	GU01736881	Stuurslot eenheid	1	LAND: United States of America[USA]
18	GU00823944050	Buis 5X9	1	
19	GU30103730	Verbinding	2	
20	GU30104630	Pakking	2	
21	GU30735500	Sleutel glad onafgew.	1	
22	GU01923380	Decalco-serie	1	Technical Specifications: V11 Cafè Sport[C.S.]
22	GU01923382	Decalco-serie	1	Kleur van het voertuig: V11 Sport Ballabio Red 2003[B.R.] Technical Specifications: V11 SPORT BALLABIO[B.]

Groep	FRAME
Code	33.23
Beschrijving	Fuel tank
Revisie	1



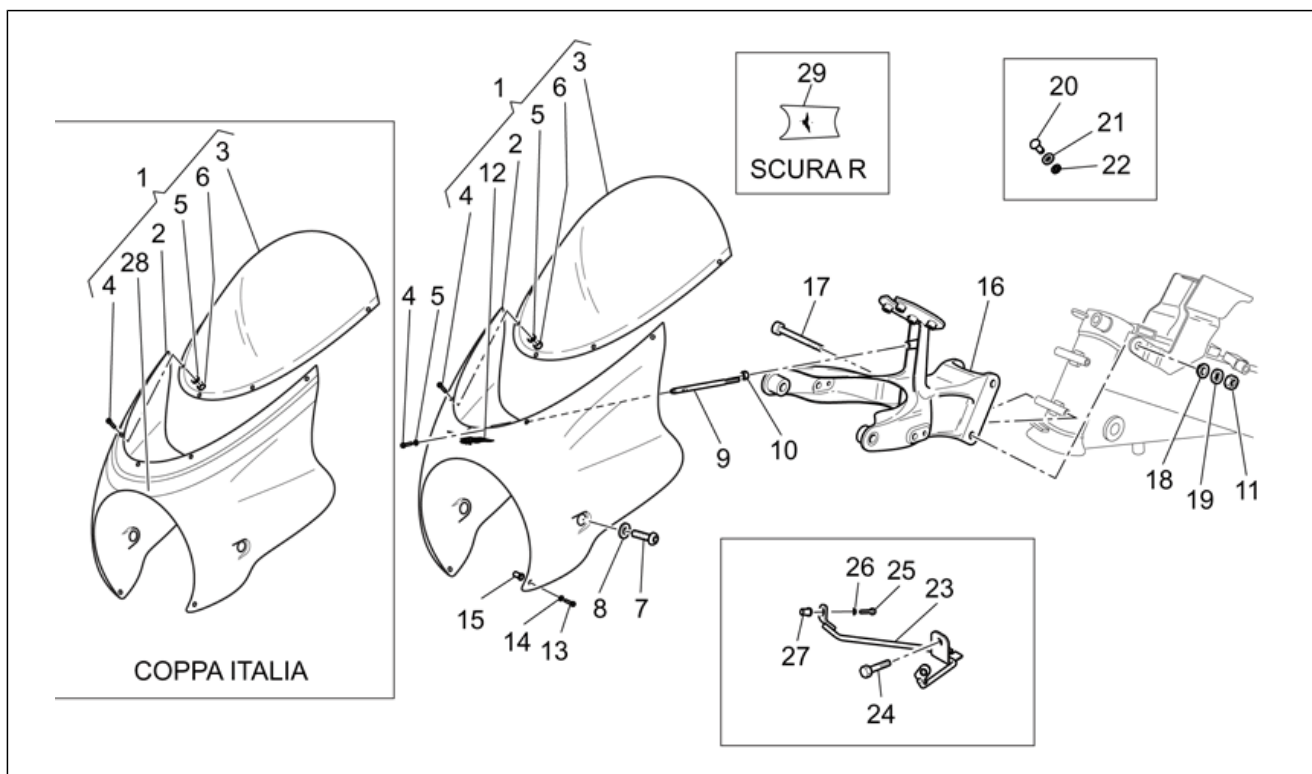
Pos.	Code	Beschrijving	Aant.	Varianten
22	GU01923383	Decalco-serie	1	Kleur van het voertuig:V11 Sport Ballabio Grey 2003[B.G.] Technical Specifications:V11 SPORT BALLABIO[B.]
22	GU01923384	Decalco-serie	1	Technical Specifications:V11 Scura R[S.R.]
22	GU01923388	Decalco-serie	1	Technical Specifications:V11 Coppa Italia[C.I.]
23	GU01103860	Spons	2	
24	GU30944300	Plaat "Attention"	1	
25	GU01921588	Decalcomanie re groen	1	Technical Specifications:V11 Coppa Italia[C.I.]
26	GU01921589	Decalcomanie li groen	1	Technical Specifications:V11 Coppa Italia[C.I.]
27	GU01917680	Decalco acht.rood	1	Technical Specifications:V11 Scura R[S.R.]

Groep	FRAME
Code	33.24
Beschrijving	Fuel vapour recover system
Revisie	1



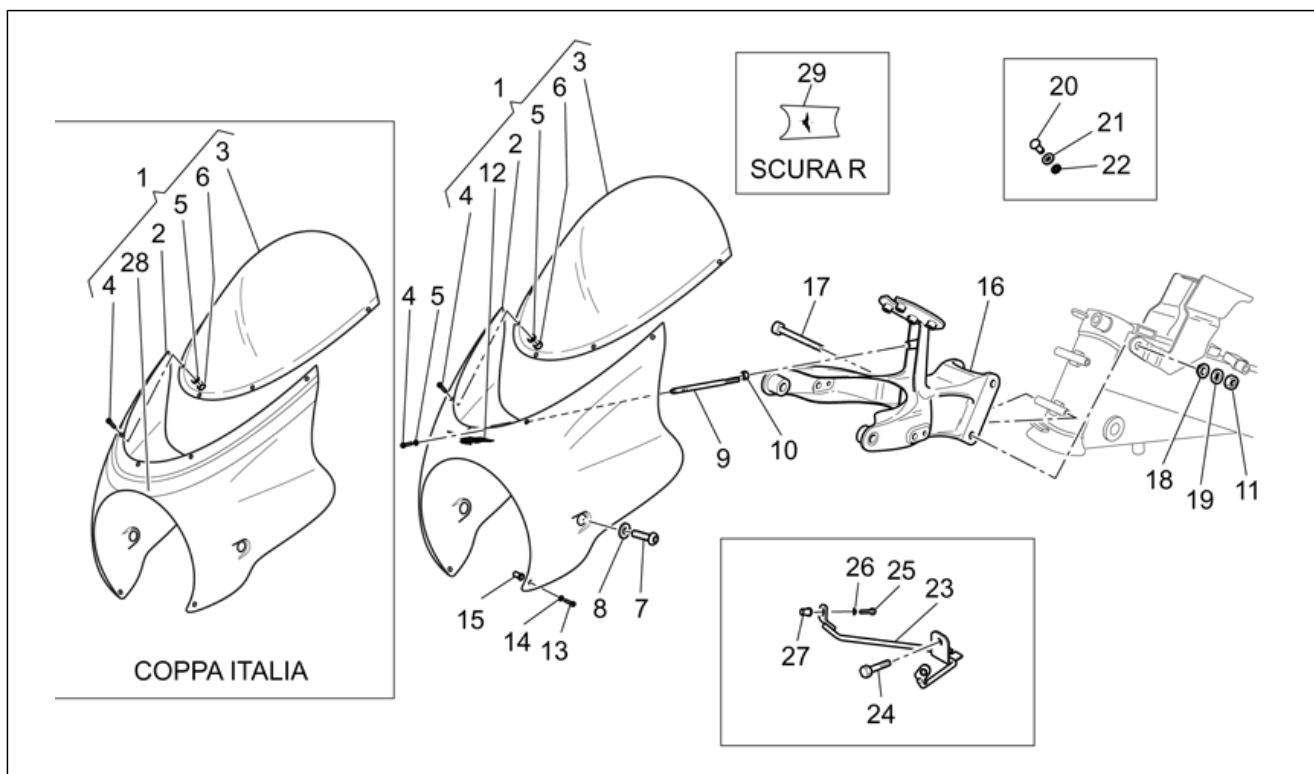
Pos.	Code	Beschrijving	Aant.	Varianten
1	GU01100281	Benzinetank cpl.brons	1	LAND:United States of America[USA] Technical Specifications:V11 Cafè Sport[C.S.]
1	GU01100283	Benzinetank cpl.grijs	1	Kleur van het voertuig:V11 Sport Ballabio Grey 2003[B.G.] LAND:United States of America[USA] Technical Specifications:V11 SPORT BALLABIO[B.]
1	GU01100284	Brandstoftank zwart	1	LAND:United States of America[USA] Technical Specifications:V11 Scura R[S.R.]
1	GU01100289	Benzinetank silver/rood	1	LAND:United States of America[USA] Technical Specifications:V11 Coppa Italia[C.I.]
1	GU89000496	Benzinetank cpl.rood	1	Kleur van het voertuig:V11 Sport Ballabio Red 2003[B.R.] LAND:United States of America[USA] Technical Specifications:V11 SPORT BALLABIO[B.]
2	GU01103730	Hittewerend paneel cent.	1	LAND:United States of America[USA]
3	GU01103831	Hittewerend paneel li	1	LAND:United States of America[USA]
4	GU01103832	Hittewerend paneel re	1	LAND:United States of America[USA]
5	GU29108550	Klikband 11,5x6	7	LAND:United States of America[USA]
6	GU29104985	Klep ontluchting olie	1	LAND:United States of America[USA]
7	GU00823956060	Buis SAEJ30R76X121/4"	0	LAND:United States of America[USA]
8	GU61108500	Klemmetje D9	3	LAND:United States of America[USA]
9	GU00823956080	Rubberen buis 12,5X7,8 5/16"	0	LAND:United States of America[USA]
10	GU93304360	Klemmetje 7,6x380	1	LAND:United States of America[USA]
11	GU29106660	Driewegsverbinding	1	LAND:United States of America[USA]
12	GU01116031	Koolfilter	1	LAND:United States of America[USA]
13	GU30115220	Verbinding	2	LAND:United States of America[USA]
14	GU28157950	Klikband 12,5x8	2	LAND:United States of America[USA]
15	GU00823956050	Buis SAE30 R73/16"	0	LAND:United States of America[USA]
16	GU01424632	Steun	1	LAND:United States of America[USA]
17	GU01103731	Hittewerend paneel voor.	1	LAND:United States of America[USA]
18	GU01439230	Staaft	1	LAND:United States of America[USA]
19	GU01119230	Buis aanzuiging	1	LAND:United States of America[USA]

Groep	FRAME
Code	33.25
Beschrijving	Front body
Revisie	1



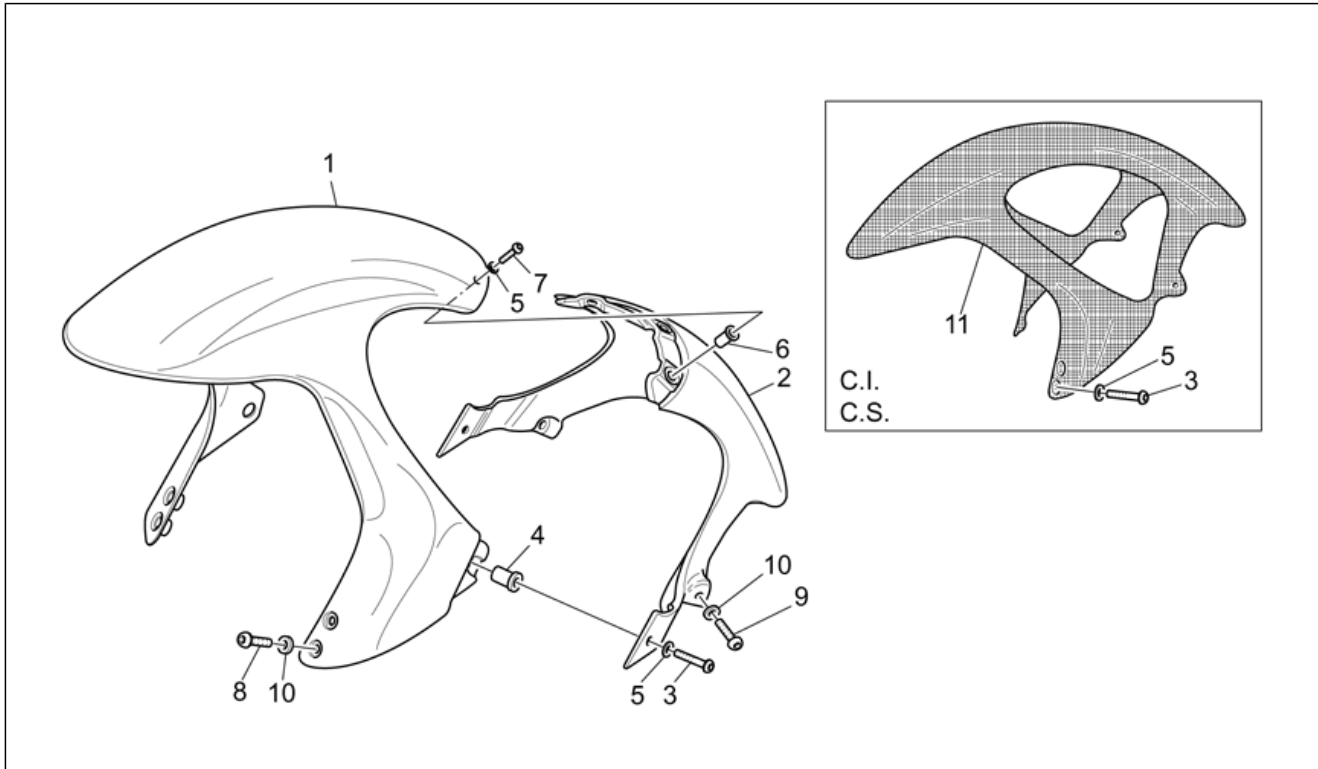
Pos.	Code	Beschrijving	Aant.	Varianten
1	GU01575380	Kapje cpl.cromo	1	Technical Specifications:V11 Cafè Sport[C.S.]
1	GU01575382	Kapje cpl.rood	1	Kleur van het voertuig:V11 Sport Ballabio Red 2003[B.R.] Technical Specifications:V11 SPORT BALLABIO[B.]
1	GU01575383	Kapje cpl.grijs	1	Kleur van het voertuig:V11 Sport Ballabio Grey 2003[B.G.] Technical Specifications:V11 SPORT BALLABIO[B.]
1	GU01575384	Kapje cpl.zwart/rood	1	Technical Specifications:V11 Scura R[S.R.]
1	GU01575388	Kapje cpl.zilver/rood	1	Technical Specifications:V11 Coppa Italia[C.I.]
2	GU01575480	Kapje ruw	1	Kleur van het voertuig:Blank[GR]
2	GU01575481	Kapje cromo	1	Technical Specifications:V11 Cafè Sport[C.S.]
2	GU01575482	Kapje rood	1	Kleur van het voertuig:V11 Sport Ballabio Red 2003[B.R.] Technical Specifications:V11 SPORT BALLABIO[B.]
2	GU01575483	Kapje grijs	1	Kleur van het voertuig:V11 Sport Ballabio Grey 2003[B.G.] Technical Specifications:V11 SPORT BALLABIO[B.]
2	GU01575484	Kapje zwart/rood	1	Technical Specifications:V11 Scura R[S.R.]
2	GU01575488	Kapje zilver/rood	1	Technical Specifications:V11 Coppa Italia[C.I.]
3	GU01577280	Windscherm	1	
4	GU98230515	Bout	5	Technical Specifications:2a series fixing[2A], Until frame number LM111417[T1]
5	GU95007205	Sluitring	5	Technical Specifications:2a series fixing[2A], Until frame number LM111417[T1]
6	GU92630205	Moer	4	Technical Specifications:2a series fixing[2A]
7	GU98370845	Bolbout met binnenzeskant	2	
8	GU95005308	Sluitring 8,4x14,57x1,6	2	
9	GU01578280	Staaaf	1	Technical Specifications:Until frame number LM111417[T1]
10	GU92601208	Moer	1	Technical Specifications:Until frame number LM111417[T1]
11	AP8150431	Moer laag M8	2	
12	GU01926180	Plaat "Aquila"	1	Technical Specifications:V11 Cafè Sport[C.S.]
12	GU01926180	Plaat "Aquila"	1	Kleur van het voertuig:V11 Sport Ballabio Grey 2003[B.G.]

Groep	FRAME
Code	33.25
Beschrijving	Front body
Revisie	1



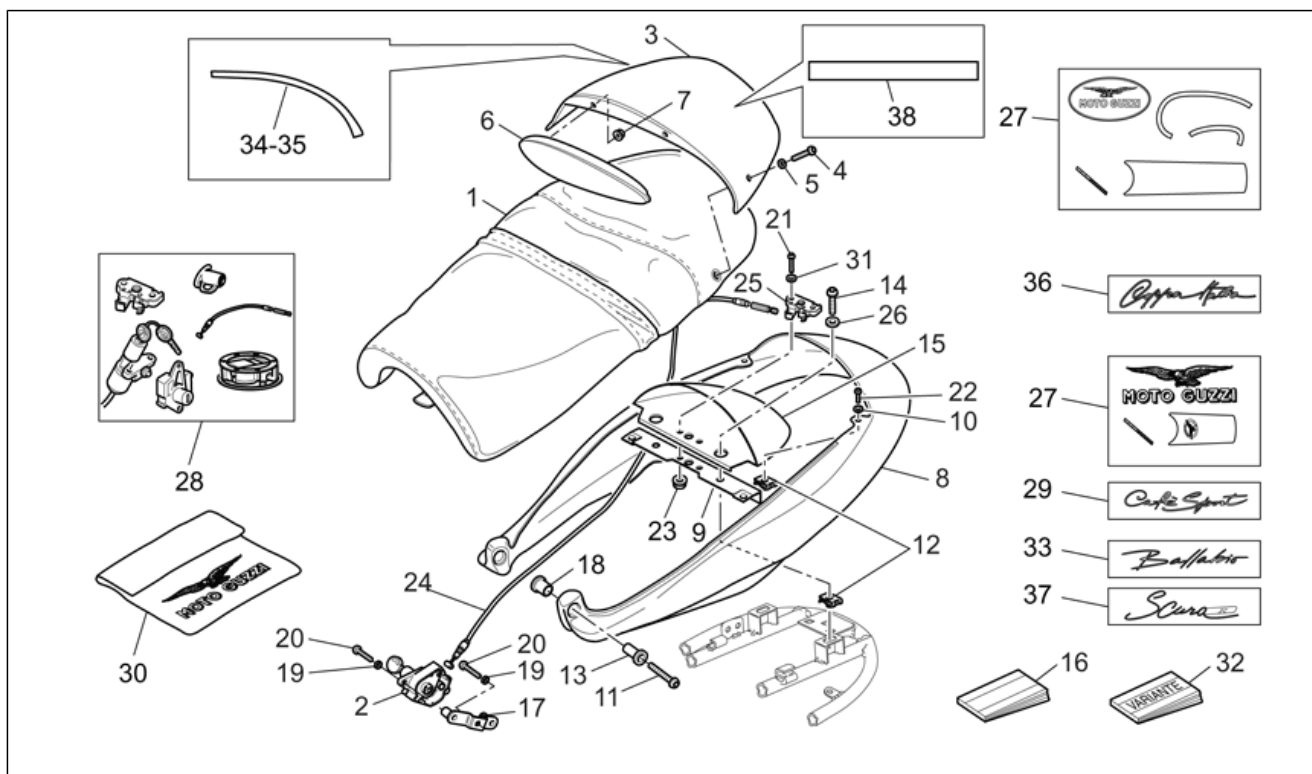
Pos.	Code	Beschrijving	Aant.	Varianten
				Technical Specifications: V11 SPORT BALLABIO[B.]
12	GU01926190	Plaat "Aquila"	1	Kleur van het voertuig: V11 Sport Ballabio Red 2003[B.R.] Technical Specifications: V11 SPORT BALLABIO[B.]
13	GU98370412	Bolbout met binnenzeskant M4x12	2	
14	AP8144565	Sluitring in nylon	2	
15	GU93231604	Huls antitrilling M4x7,9x12,7	2	
16	GU01578680	Steun kapje	1	
17	GU98680465	Bout	2	
18	GU91120810	Bus	2	
19	GU95005308	Sluitring 8,4x14,57x1,6	2	
20	AP8144109	Bevestigingspin	4	Technical Specifications: 1a series fixing[1A]
21	AP8102504	Rubbertje	4	Technical Specifications: 1a series fixing[1A]
22	AP8150450	Sluitring voor assen D5	4	Technical Specifications: 1a series fixing[1A]
23	GU01578281	Framepje instr.houder	1	Technical Specifications: From frame number LM111418[T2]
24	GU97202420	Zeskantbout geflenst M8x20	1	Technical Specifications: From frame number LM111418[T2]
25	GU98230520	Bout	2	Technical Specifications: From frame number LM111418[T2]
26	GU95007205	Sluitring	2	Technical Specifications: From frame number LM111418[T2]
27	GU93231605	Huls antitrilling	2	Technical Specifications: From frame number LM111418[T2]
28	GU01925788	Decalcomanie groen	1	Technical Specifications: V11 Coppa Italia[C.I.]
29	GU01925784	Decalcomanie rood	1	Technical Specifications: V11 Scura R[S.R.]

Groep	FRAME
Code	33.26
Beschrijving	Front mudguard
Revisie	1



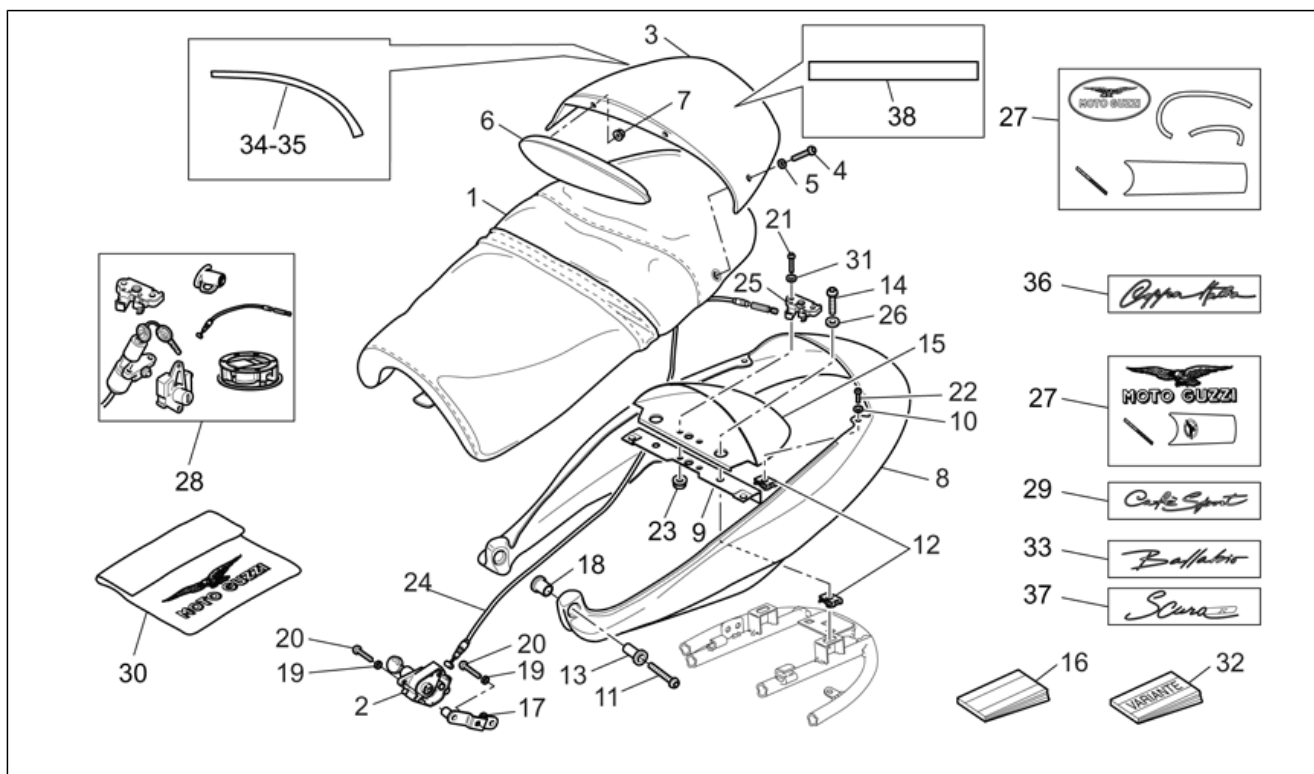
Pos.	Code	Beschrijving	Aant.	Varianten
1	GU01434330	Spatbord voor.bov.ruw	1	Kleur van het voertuig: V11 Sport Ballabio Grey 2003[B.G.], V11 Sport Ballabio Red 2003[B.R.], Blank[GR] Technical Specifications: V11 SPORT BALLABIO[B.]
1	GU01434382	Spatbord voor.bov.zwart	1	Kleur van het voertuig: V11 Sport Ballabio Grey 2003[B.G.], V11 Sport Ballabio Red 2003[B.R.] Technical Specifications: V11 SPORT BALLABIO[B.]
2	GU01434482	Spatbord voor.ond.zwart	1	Kleur van het voertuig: V11 Sport Ballabio Grey 2003[B.G.], V11 Sport Ballabio Red 2003[B.R.] Technical Specifications: V11 SPORT BALLABIO[B.]
2	GU01434490	Spatbord voor.ond.ruw	1	Kleur van het voertuig: V11 Sport Ballabio Grey 2003[B.G.], V11 Sport Ballabio Red 2003[B.R.], Blank[GR] Technical Specifications: V11 SPORT BALLABIO[B.]
3	GU98370515	Bout	6	
4	GU93231605	Huls antitrilling	2	
5	GU30577800	Sluitring in nylon 5,5X12X1	6	
6	GU93231604	Huls antitrilling M4x7,9x12,7	3	
7	GU98370412	Bolbout met binnenzeskant M4x12	1	
8	GU98370612	Bolbout met binnenzeskant M6x12	4	
9	GU98370619	Bolbout met binnenzeskant	2	
10	GU29577860	Sluitring	6	
11	GU01434385	Spatbord voor.carb.	1	Technical Specifications: V11 Coppa Italia[C.I.], V11 Cafè Sport[C.S.], V11 Scura [R.S.R.]

Groep	FRAME
Code	33.27
Beschrijving	Saddle - Rear fairing
Revisie	1



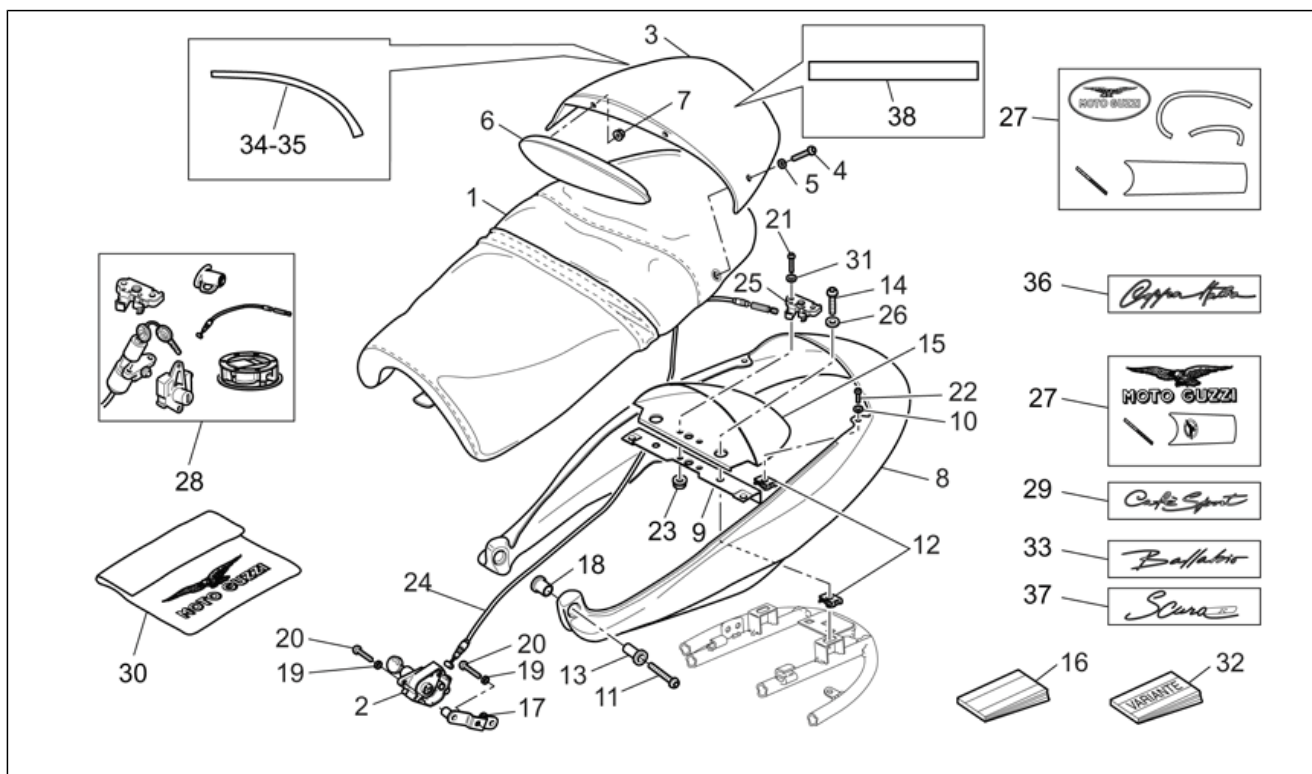
Pos.	Code	Beschrijving	Aant.	Varianten
1	GU01460560	Tweepersoonszadel	1	Kleur van het voertuig: V11 Sport Ballabio Grey 2003[B.G.], V11 Sport Ballabio Red 2003[B.R.] Technical Specifications: V11 SPORT BALLABIO[B.]
1	GU01460560	Tweepersoonszadel	1	Technical Specifications: V11 Scura R[S.R.]
1	GU01460580	Tweepersoonszadel	1	Technical Specifications: V11 Coppa Italia[C.I.], V11 Cafè Sport[C.S.]
1	GU01460581	Tweepersoonszadel rood	1	Technical Specifications: V11 Scura R[S.R.]
3	GU01466430	Bedekk.zadeltje ruw	1	Kleur van het voertuig: Blank[GR]
3	GU01466480	Bedekk.zadeltje brons	1	Technical Specifications: V11 Cafè Sport[C.S.]
3	GU01466482	Bedekk.zadeltje zwart	1	Kleur van het voertuig: V11 Sport Ballabio Grey 2003[B.G.], V11 Sport Ballabio Red 2003[B.R.] Technical Specifications: V11 SPORT BALLABIO[B.]
3	GU01466483	Bedekk.zadeltje zwart	1	Technical Specifications: V11 Scura R[S.R.]
3	GU01466488	Bedekk.zadeltje zilver/rood	1	Technical Specifications: V11 Coppa Italia[C.I.]
4	GU98370621	Bolbout met binnenzeskant M6x20	2	
5	GU29577860	Sluitring	2	
6	GU01461530	Kussen rugleuning	1	Kleur van het voertuig: V11 Sport Ballabio Grey 2003[B.G.], V11 Sport Ballabio Red 2003[B.R.] Technical Specifications: V11 SPORT BALLABIO[B.]
6	GU01461530	Kussen rugleuning	1	Technical Specifications: V11 Scura R[S.R.]
6	GU01461580	Kussen rugleuning	1	Technical Specifications: V11 Coppa Italia[C.I.], V11 Cafè Sport[C.S.]
6	GU01461581	Kussen rugleuning	1	Technical Specifications: V11 Scura R[S.R.]
7	GU92650036	Moer geflenst M6	2	
8	GU01573160	Eindstuk acht. ruw	1	Kleur van het voertuig: Blank[GR]
8	GU01573180	Eindstuk acht.cromo	1	Technical Specifications: V11 Cafè Sport[C.S.]
8	GU01573182	Eindstuk acht.zwart	1	Kleur van het voertuig: V11 Sport Ballabio Red 2003[B.R.] Technical Specifications: V11 SPORT BALLABIO[B.]
8	GU01573183	Eindstuk acht.zwart	1	Kleur van het voertuig: V11 Sport Ballabio Grey 2003[B.G.] Technical Specifications: V11 SPORT BALLABIO[B.]
8	GU01573184	Eindstuk acht.zwart	1	Technical Specifications: V11 Scura R[S.R.]

Groep	FRAME
Code	33.27
Beschrijving	Saddle - Rear fairing
Revisie	1



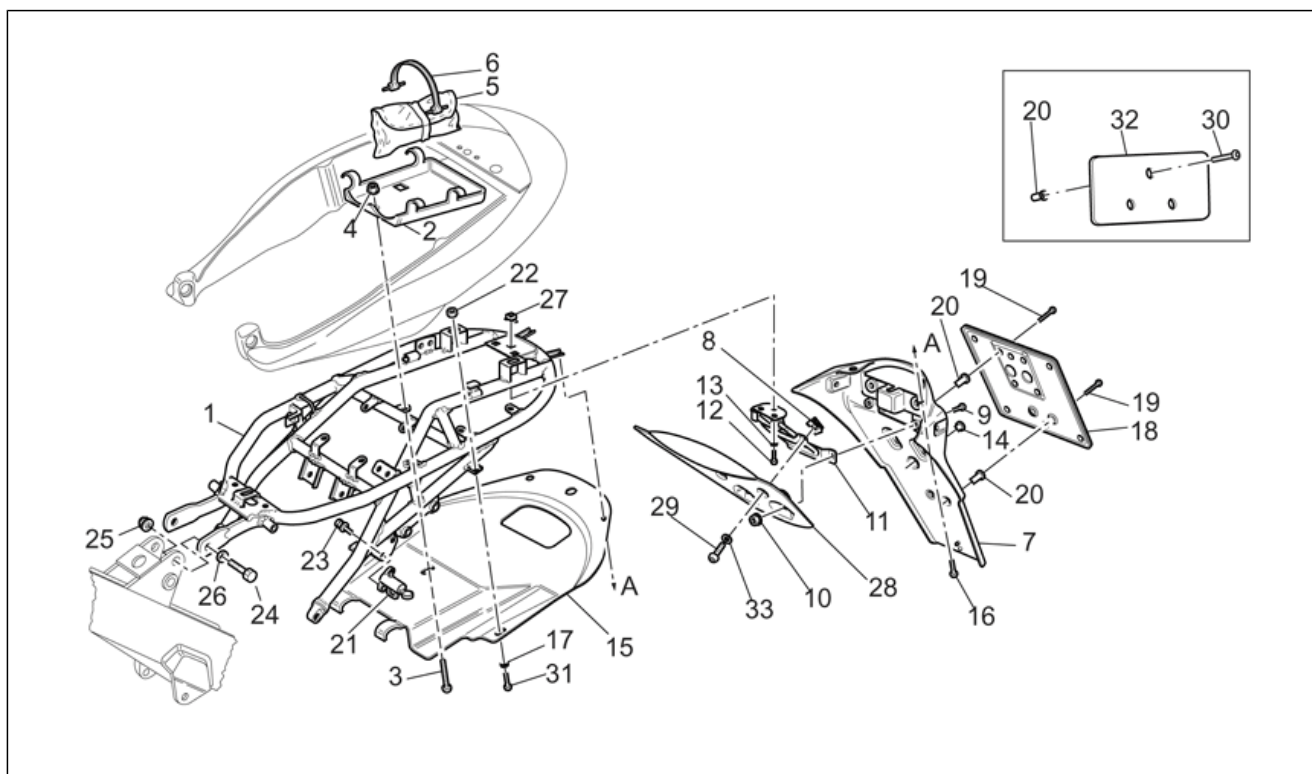
Pos.	Code	Beschrijving	Aant.	Varianten
8	GU01573188	Eindstuk acht.zwart	1	Technical Specifications:V11 Coppa Italia[C.I.]
9	GU01573760	Plaat	1	
10	GU66478610	Sluitring in nylon 6X17X1	2	
11	GU98370831	Bolbout met binnenzeskant M8x30	2	
12	GU28576592	Kramv. moer M6	4	
13	GU91120820	Afstandhouder	2	
14	GU98350416	Bolbout met binnenzeskant	2	
15	GU01479660	Documentenhouder	1	
16	GU01900090	Boekje gebruik/ond. I-GB-F-D	1	Bouwjaar:2003[3]
16	GU01900091	Boekje gebruik en ond. I-GB-F-D	1	Bouwjaar:2004[4], 2005[5]
17	GU01462430	Plaat slot	1	
18	GU93180721	Rubbertje	2	
19	GU14217901	Gekart. sluitring 6,4x10x0,7	3	
20	GU98350320	Bolbout met binnenzeskant M6x20	3	
21	GU98250625	Bout	2	
22	GU98370616	Bolbout met binnenzeskant M6x16 inox	2	
23	GU92650036	Moer geflenst M6	2	
24	GU01468830	Kabel slot zadel	1	
25	GU02468600	Zadelslot	1	
26	GU95005312	Sluitring 8,5x24x2	2	
27	GU01923380	Decalco-serie	1	Technical Specifications:V11 Cafè Sport[C.S.]
27	GU01923382	Decalco-serie	1	Kleur van het voertuig:V11 Sport Ballabio Red 2003[B.R.] Technical Specifications:V11 SPORT BALLABIO[B.]
27	GU01923383	Decalco-serie	1	Kleur van het voertuig:V11 Sport Ballabio Grey 2003[B.G.] Technical Specifications:V11 SPORT BALLABIO[B.]
27	GU01923384	Decalco-serie	1	Technical Specifications:V11 Scura R[S.R.]
27	GU01923388	Decalco-serie	1	Technical Specifications:V11 Coppa Italia[C.I.]
28	GU01736880	Stuurslot eenheid	1	LAND:Australia[AUS], Other country[EU], Japan[J], New Zeland[NZ], Great Britain[UK]

Groep	FRAME
Code	33.27
Beschrijving	Saddle - Rear fairing
Revisie	1



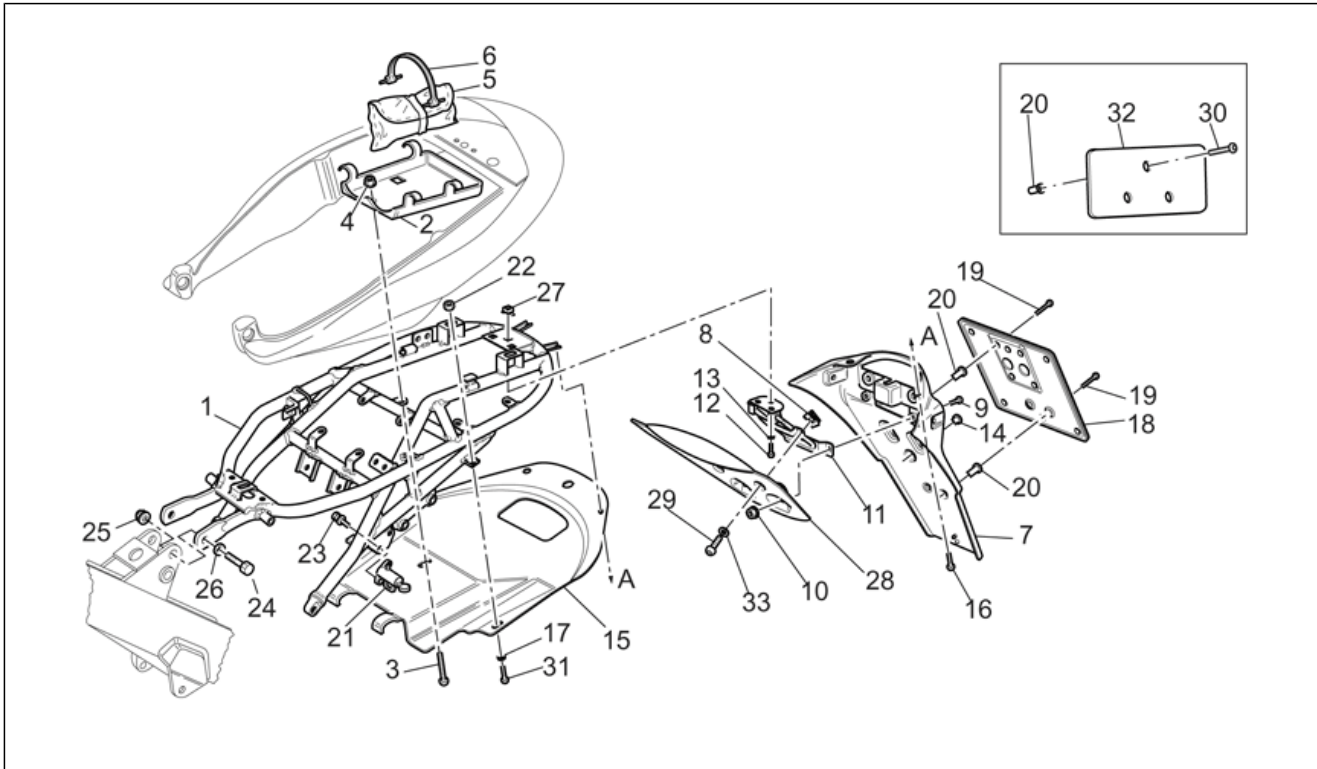
Pos.	Code	Beschrijving	Aant.	Varianten
28	GU01736881	Stuurslot eenheid	1	LAND:United States of America[USA]
29	GU01923480	Decalcomanie "CAFESPORT"	2	Technical Specifications:V11 Cafè Sport[C.S.]
30	GU30970200	Doek voert.bedekk.	1	
31	GU95100118	Sluitring 6,2X18X1	2	
32	GU01900080	Variant boekje LUM	1	Bouwjaar:2003[3] Technical Specifications:V11 SPORT BALLABIO[B.], V11 Cafè Sport[C.S.]
33	GU01923482	Decalcomanie "BALLABIO"	2	Kleur van het voertuig:V11 Sport Ballabio Red 2003[B.R.] Technical Specifications:V11 SPORT BALLABIO[B.]
33	GU01923483	Decalcomanie "BALLABIO"	2	Kleur van het voertuig:V11 Sport Ballabio Grey 2003[B.G.] Technical Specifications:V11 SPORT BALLABIO[B.]
34	GU01940488	Decalcomanie re groen	1	Technical Specifications:V11 Coppa Italia[C.I.]
35	GU01940588	Decalcomanie li groen	1	Technical Specifications:V11 Coppa Italia[C.I.]
36	GU01923488	Decalcomanie "Coppa Italia"	2	Technical Specifications:V11 Coppa Italia[C.I.]
37	GU01923484	Decalcomanie "Scura R"	2	Technical Specifications:V11 Scura R[S.R.]
38	GU01940484	Decalco rood	1	Technical Specifications:V11 Scura R[S.R.]

Groep	FRAME
Code	33.28
Beschrijving	Rear frame-Number plate holder
Revisie	1



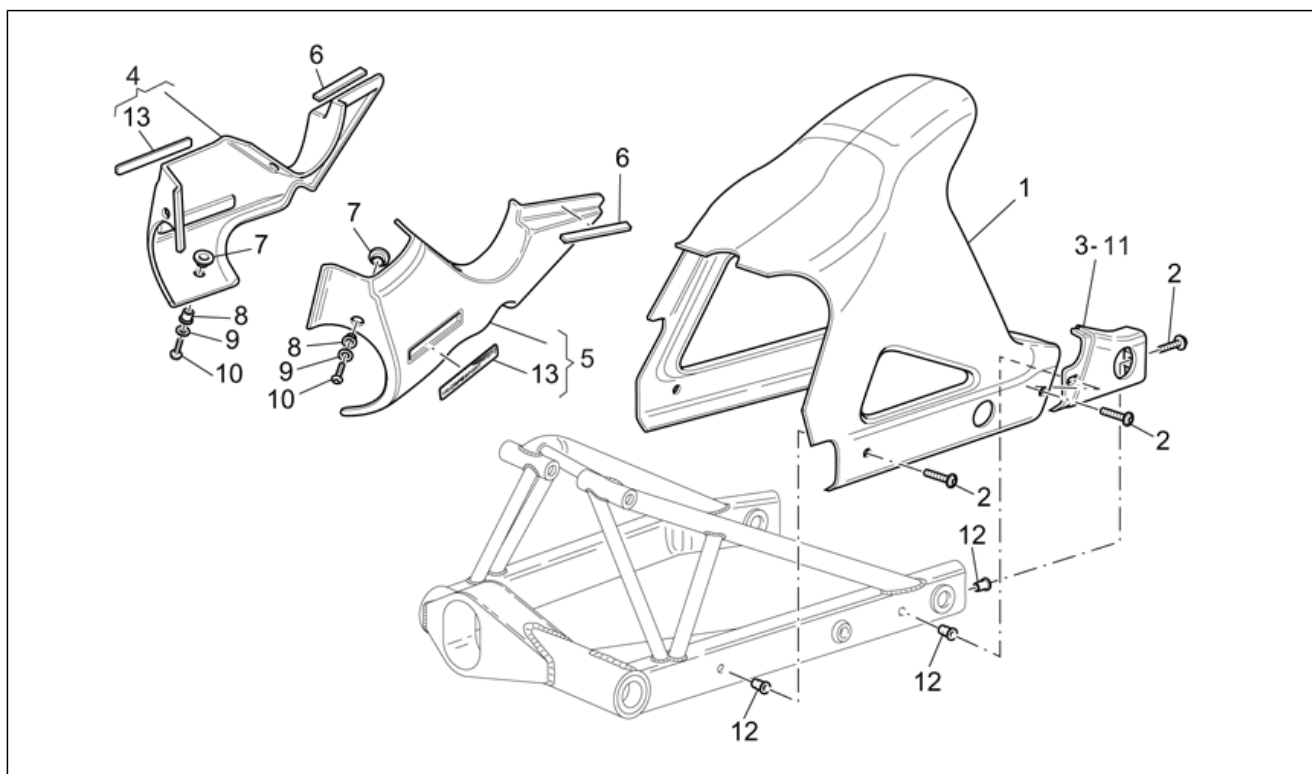
Pos.	Code	Beschrijving	Aant.	Varianten
1	GU01410260	Frame acht.	1	
2	GU01479530	Gereedschapsruimte	1	
3	GU98223530	Bout	1	
4	GU92650135	Moer	1	
5	GU03909960	Gereedschapstas	1	
6	GU01479030	Riem	1	
7	GU01438630	Nummerplaathouder	1	
8	GU01576532	Kramv. moer	2	
9	GU98230615	Bout	2	
10	GU92650136	Moer	2	
11	GU01475560	Steun van de nummerplaathouder	1	
12	GU98084314	Zeskantbout	3	
13	GU95008306	Sluitring 6,4x12x1,2	3	
14	GU93180510	Dop	3	
15	GU01438760	Spatbordjes	1	
16	GU98350318	Bolbout met binnenzeskant	2	
17	GU95005312	Sluitring 8,5x24x2	2	
18	GU01474630	Nummerplaathouder	1	
19	GU98230518	Bolbout met binnenzeskant	4	
20	GU93232005	Rubbetje	7	
21	GU66466815	Slot helm	1	
22	GU92650136	Moer	2	
23	GU66468115	Trekbout	2	
24	GU98084525	Bout	2	
25	GU92660210	Moer	2	
26	GU95008210	Sluitring 10,2X18X2	2	
27	GU92660601	Moer in kooi	3	
28	GU01439330	Spatbordje acht.	1	

Groep	FRAME
Code	33.28
Beschrijving	Rear frame-Number plate holder
Revisie	1



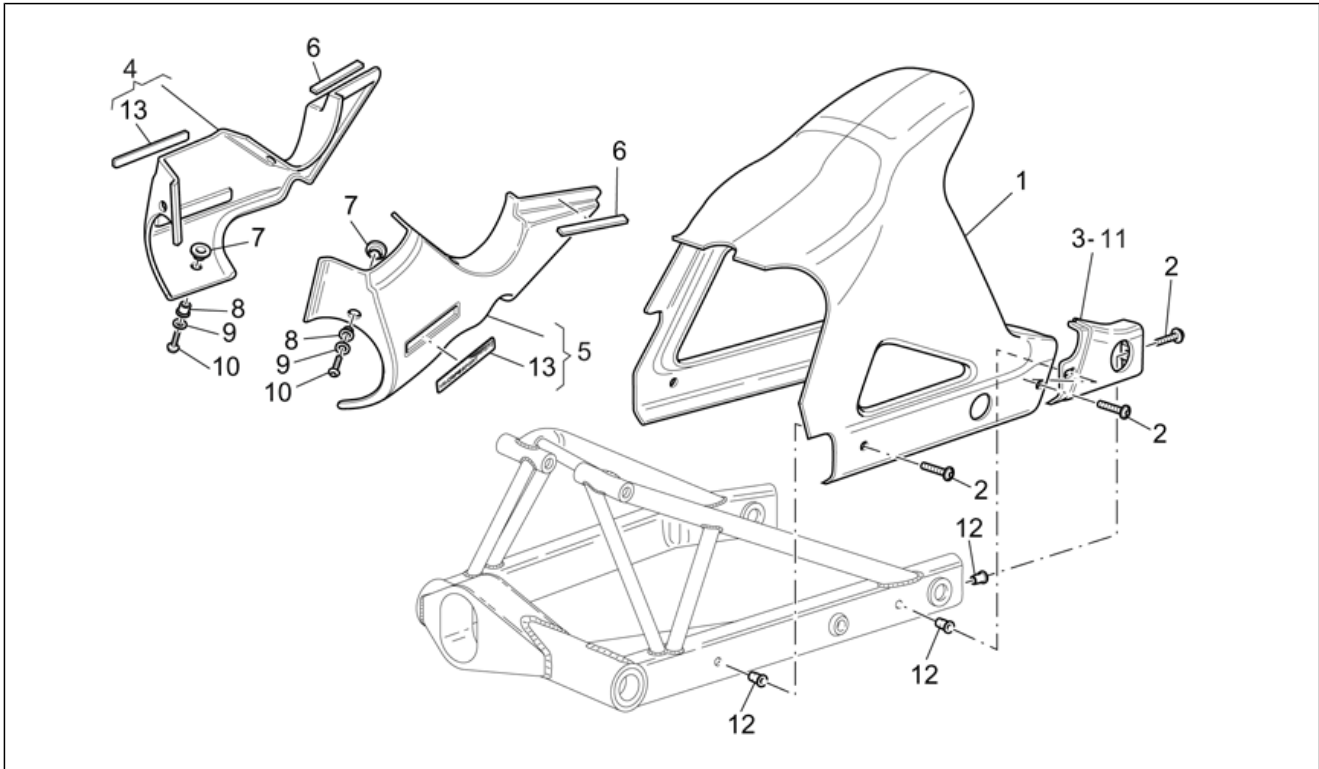
Pos.	Code	Beschrijving	Aant.	Varianten
29	GU98350215	Bolbout met binnenzeskant	2	
30	GU98230518	Bolbout met binnenzeskant	3	LAND:United States of America[USA]
31	GU98370621	Bolbout met binnenzeskant M6x20	2	
32	GU03474635	Nummerplaathouder	1	LAND:United States of America[USA]
33	GU95100059	Sluitring 5,25x14x1,5	2	

Groep	FRAME
Code	33.29
Beschrijving	Rear body
Revisie	1



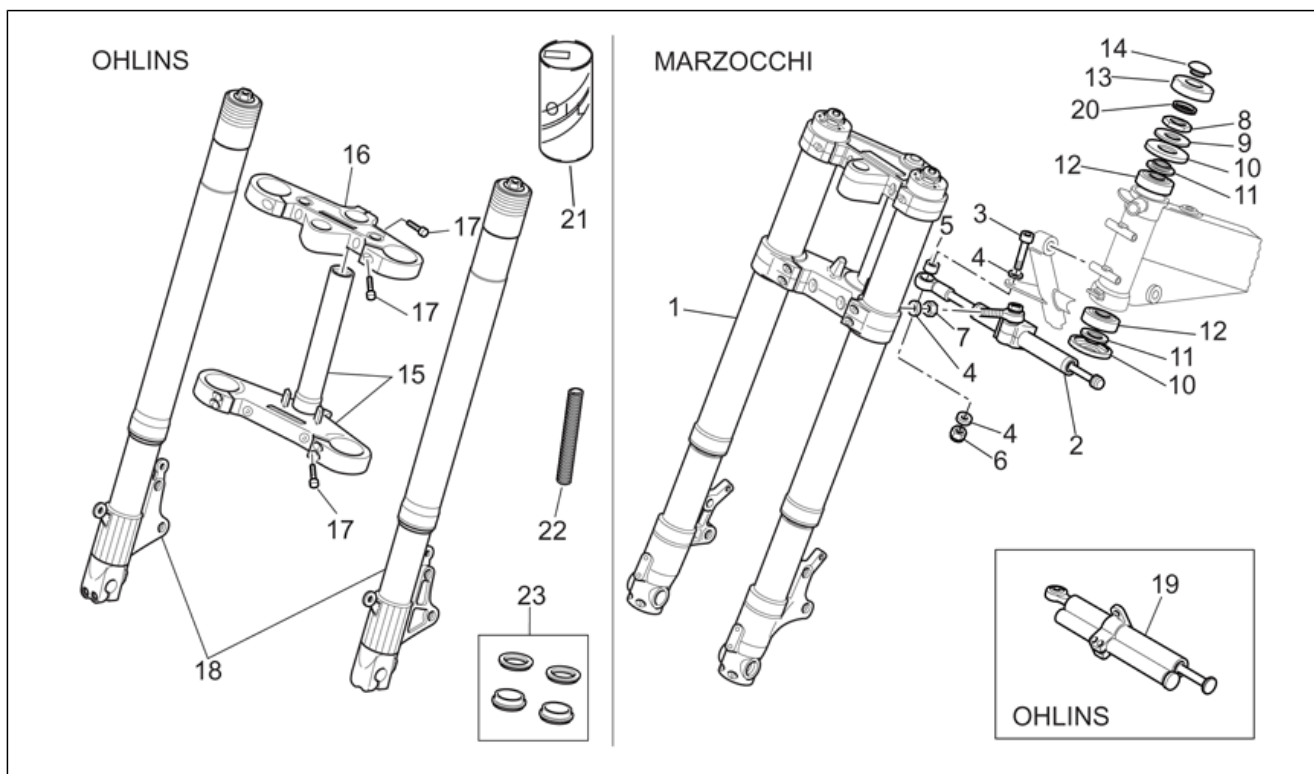
Pos.	Code	Beschrijving	Aant.	Varianten
1	GU01437030	Spatbord acht.	1	
2	GU98223520	Bolbout met binnenzeskant, geflenst	6	
3	GU01546363	Pinbedekking re grijs	1	
4	GU01570230	Zijplaatje re ruw	1	Kleur van het voertuig: Blank[GR] Technical Specifications: V11 SPORT BALLABIO[B.], V11 Coppa Italia[C.I.]
4	GU01570241	Zijplaatje re carb.	1	Technical Specifications: V11 Cafè Sport[C.S.], V11 Scura R[S.R.]
4	GU01570282	Zijplaatje re zwart	1	Kleur van het voertuig: V11 Sport Ballabio Grey 2003[B.G.], V11 Sport Ballabio Red 2003[B.R.] Technical Specifications: V11 SPORT BALLABIO[B.]
4	GU01570288	Zijplaatje re zwart	1	Technical Specifications: V11 Coppa Italia[C.I.]
5	GU01570430	Zijplaatje li ruw	1	Kleur van het voertuig: Blank[GR] Technical Specifications: V11 SPORT BALLABIO[B.], V11 Coppa Italia[C.I.]
5	GU01570441	Zijplaatje li carb.	1	Technical Specifications: V11 Cafè Sport[C.S.], V11 Scura R[S.R.]
5	GU01570482	Zijplaatje li zwart	1	Kleur van het voertuig: V11 Sport Ballabio Grey 2003[B.G.], V11 Sport Ballabio Red 2003[B.R.] Technical Specifications: V11 SPORT BALLABIO[B.]
5	GU01570488	Zijplaatje li zwart	1	Technical Specifications: V11 Coppa Italia[C.I.]
6	GU01573960	Spons	4	
7	GU93180710	Rubbertje	6	
8	GU01576131	Huls	6	
9	GU01577830	Sluitring in nylon	6	
10	GU98370515	Bout	6	
11	GU01546463	Pinbedekking li grijs	1	
12	GU03742030	Bus	6	
13	GU01576080	Plaatje "V11 Cafe sport"	2	Technical Specifications: V11 Cafè Sport[C.S.]
13	GU01576082	Plaatje "V11 sport"	2	Kleur van het voertuig: V11 Sport Ballabio Grey 2003[B.G.], V11 Sport Ballabio Red 2003[B.R.]

Groep	FRAME
Code	33.29
Beschrijving	Rear body
Revisie	1



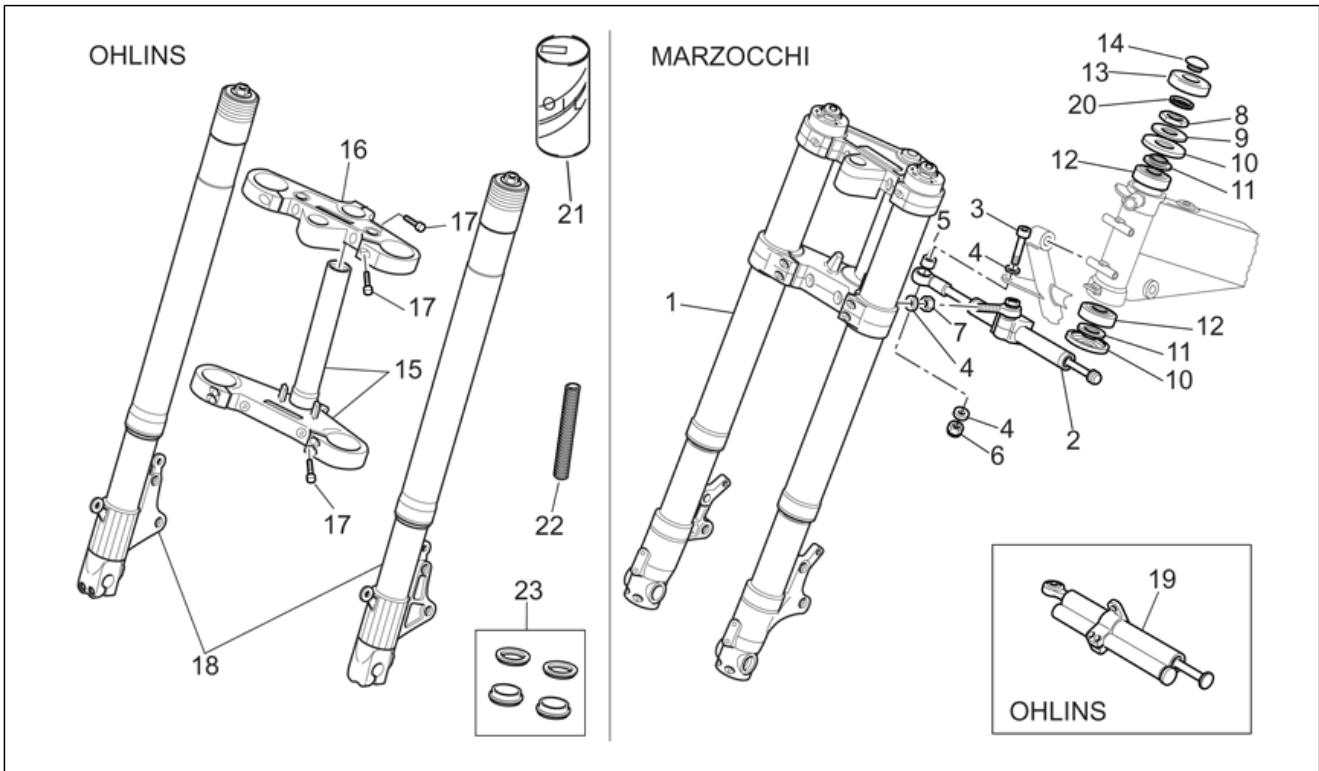
Pos.	Code	Beschrijving	Aant.	Varianten
13	GU01576088	Plaatje "Special Edition"	2	Technical Specifications:V11 SPORT BALLABIO[B.] Technical Specifications:V11 Coppa Italia[C.I.], V11 Scura R[S.R.]

Groep	FRAME
Code	33.30
Beschrijving	Front fork I
Revisie	1



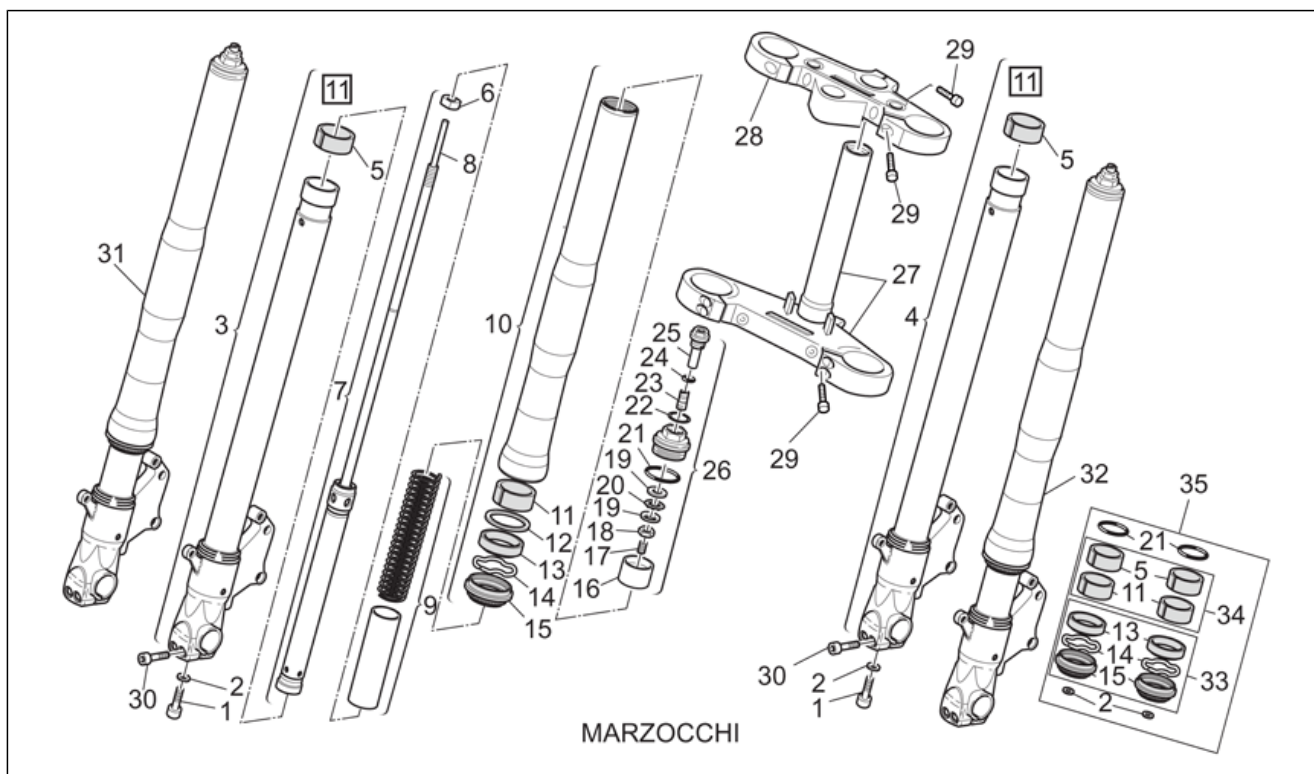
Pos.	Code	Beschrijving	Aant.	Varianten
1	GU01490280	Voorvork	1	Technical Specifications: V11 SPORT BALLABIO[B.]
2	GU01530291	Stuurdemper	1	Technical Specifications: V11 SPORT BALLABIO[B.]
3	GU98370840	Bout	1	
4	GU95005308	Sluitring 8,4x14,57x1,6	3	
5	GU91180812	Afstandhouder	1	
6	GU92630108	Moer	1	
7	GU92606408	Moer	1	
8	GU92700241	Moer	1	
9	GU30516500	Sluitring	1	
10	GU14517000	Stofkeerring	2	
11	GU14516700	Steunende sluitring	2	
12	GU92249225	Conische kogellager	2	
13	GU30513401	Bevest.moer kop	1	
14	GU23943410	Dop verchr.	1	
15	GU01494060	Basis met kop	1	Technical Specifications: V11 Coppa Italia[C.I.], V11 Cafè Sport[C.S.], V11 Scura R[S.R.]
16	GU01493180	Plaat	1	Technical Specifications: V11 Coppa Italia[C.I.], V11 Cafè Sport[C.S.], V11 Scura R[S.R.]
17	GU98682430	Binnenzeskantbout M8x30	7	Technical Specifications: V11 Coppa Italia[C.I.], V11 Cafè Sport[C.S.], V11 Scura R[S.R.]
18	GU01490283	Voorvork "Ohlins"	1	Technical Specifications: V11 Coppa Italia[C.I.], V11 Cafè Sport[C.S.], V11 Scura R[S.R.]
19	GU01530290	Stuurdemper "Holi"	1	Technical Specifications: V11 Coppa Italia[C.I.], V11 Cafè Sport[C.S.], V11 Scura R[S.R.]
20	AP8101272	Afstandhouder	1	
21	AP8116071	Olie van de vork 1 lt.	1	Technical Specifications: V11 Coppa Italia[C.I.], V11 Cafè Sport[C.S.], V11 Scura R[S.R.]
22	GU01526683	Veer	2	Technical Specifications: V11 Coppa Italia[C.I.], V11 Cafè Sport[C.S.], V11 Scura R[S.R.]

Groep	FRAME
Code	33.30
Beschrijving	Front fork I
Revisie	1



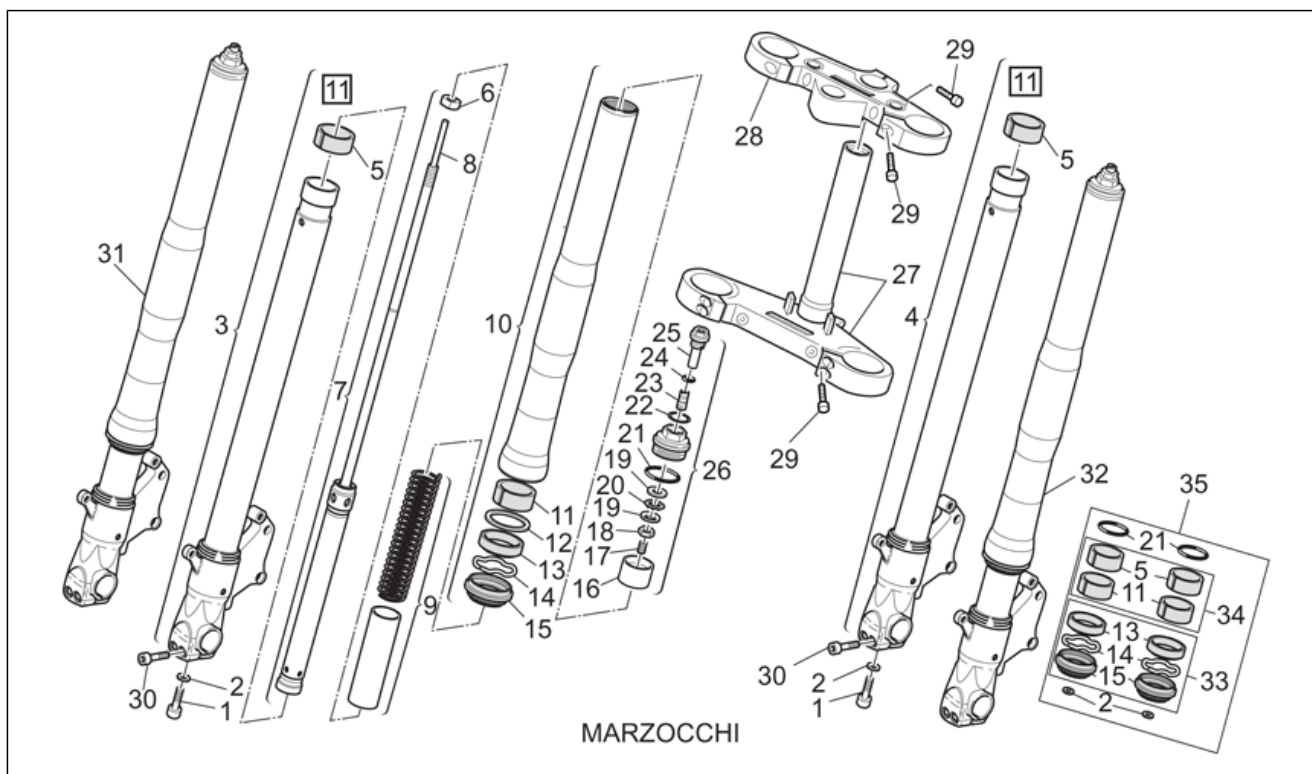
Pos.	Code	Beschrijving	Aant.	Varianten
23	AP8123975	Kit revisie vork	1	Technical Specifications: V11 Coppa Italia[C.I.], V11 Cafè Sport[C.S.], V11 Scura R[S.R.]

Groep	FRAME
Code	33.31
Beschrijving	Front fork II
Revisie	1



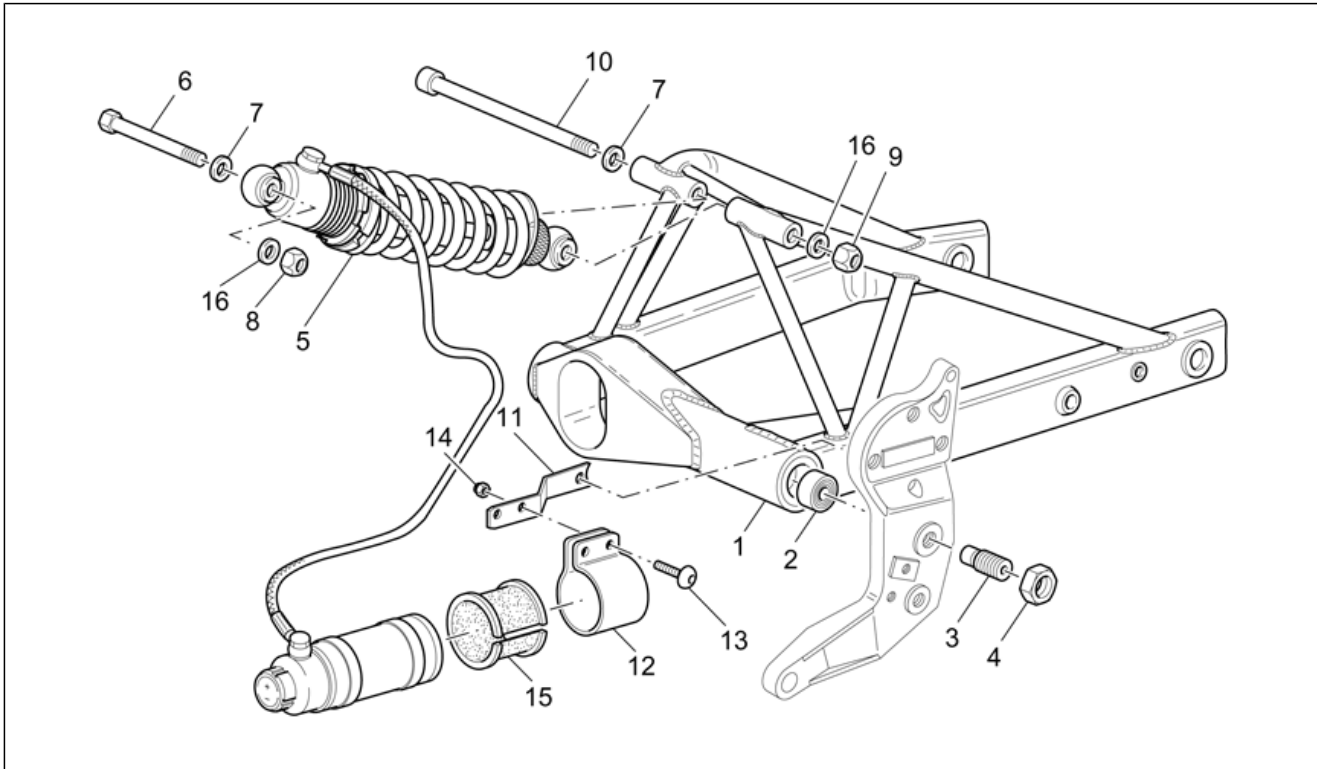
Pos.	Code	Beschrijving	Aant.	Varianten
1	GU01530588	Bout	2	Technical Specifications:V11 SPORT BALLABIO[B.]
2	GU03530529	Sluitring	2	Technical Specifications:V11 SPORT BALLABIO[B.]
3	GU01490695	Hulsel re	1	Technical Specifications:V11 SPORT BALLABIO[B.]
4	GU01490795	Hulsel li	1	Technical Specifications:V11 SPORT BALLABIO[B.]
5	GU01525895	Huls	2	Technical Specifications:V11 SPORT BALLABIO[B.]
6	GU01530589	Moer	2	Technical Specifications:V11 SPORT BALLABIO[B.]
7	GU01526480	Pompend deel cpl.	2	Technical Specifications:V11 SPORT BALLABIO[B.]
8	GU01526390	Staaaf	2	Technical Specifications:V11 SPORT BALLABIO[B.]
9	GU01526695	Veren+buis	1	Technical Specifications:V11 SPORT BALLABIO[B.]
10	GU01525490	Stangdrager	2	Technical Specifications:V11 SPORT BALLABIO[B.]
11	GU01526795	Huls bov.	2	Technical Specifications:V11 SPORT BALLABIO[B.]
12	GU01530590	Plaatje	2	Technical Specifications:V11 SPORT BALLABIO[B.]
13	GU01526195	Dichtingsring	2	Technical Specifications:V11 SPORT BALLABIO[B.]
14	GU01526196	Ring	2	Technical Specifications:V11 SPORT BALLABIO[B.]
15	GU01530591	Stofkeerring	2	Technical Specifications:V11 SPORT BALLABIO[B.]
16	GU01501695	Huls	2	Technical Specifications:V11 SPORT BALLABIO[B.]
17	GU01530501	Stift	2	Technical Specifications:V11 SPORT BALLABIO[B.]
18	GU01530502	Moer	2	Technical Specifications:V11 SPORT BALLABIO[B.]
19	GU01530503	Koppelschotel	4	Technical Specifications:V11 SPORT BALLABIO[B.]
20	GU01530507	Lager	2	Technical Specifications:V11 SPORT BALLABIO[B.]
21	GU01530508	OR-ring	2	Technical Specifications:V11 SPORT BALLABIO[B.]
22	GU01530509	OR-ring	2	Technical Specifications:V11 SPORT BALLABIO[B.]
23	GU01530592	Stift	2	Technical Specifications:V11 SPORT BALLABIO[B.]
24	GU01530593	OR-ring	2	Technical Specifications:V11 SPORT BALLABIO[B.]
25	GU01530594	Pin regeling	2	Technical Specifications:V11 SPORT BALLABIO[B.]
26	GU01504590	Dop cpl.	2	Technical Specifications:V11 SPORT BALLABIO[B.]
27	GU01494080	Basis met kop	1	Technical Specifications:V11 SPORT BALLABIO[B.]
28	GU01493180	Plaat	1	Technical Specifications:V11 SPORT BALLABIO[B.]

Groep	FRAME
Code	33.31
Beschrijving	Front fork II
Revisie	1



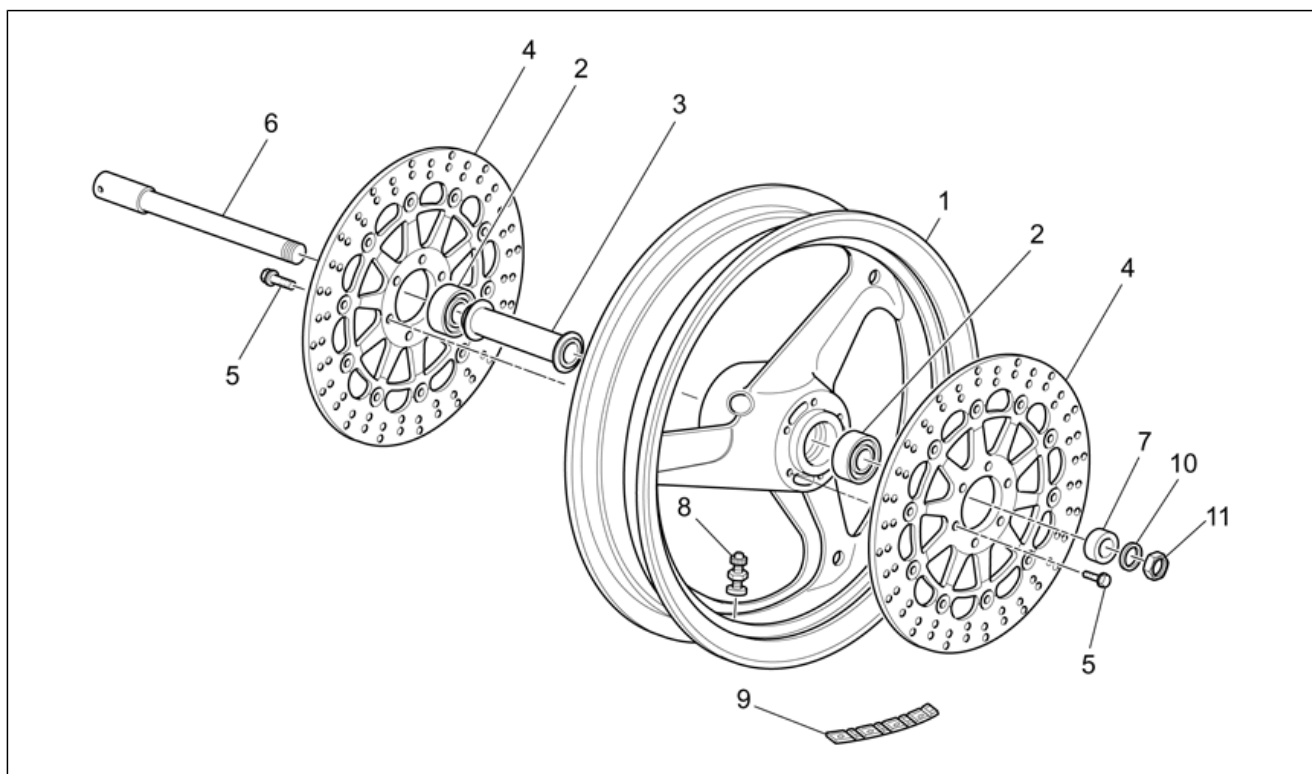
Pos.	Code	Beschrijving	Aant.	Varianten
29	GU66530505	Bout M8x30	7	Technical Specifications:V11 SPORT BALLABIO[B.]
30	GU01530595	Bout	4	Technical Specifications:V11 SPORT BALLABIO[B.]
31	GU01490680	Stang re cpl.	1	Technical Specifications:V11 SPORT BALLABIO[B.]
32	GU01490780	Stang li cpl.	1	Technical Specifications:V11 SPORT BALLABIO[B.]
33	GU01530601	Kit dichting vork	1	Technical Specifications:V11 SPORT BALLABIO[B.]
34	GU01530602	Kit beslagringen vork	1	Technical Specifications:V11 SPORT BALLABIO[B.]
35	GU01530603	Kit herstelling vork	1	Technical Specifications:V11 SPORT BALLABIO[B.]

Groep	FRAME
Code	33.32
Beschrijving	Swing arm and rear shock absorber
Revisie	1



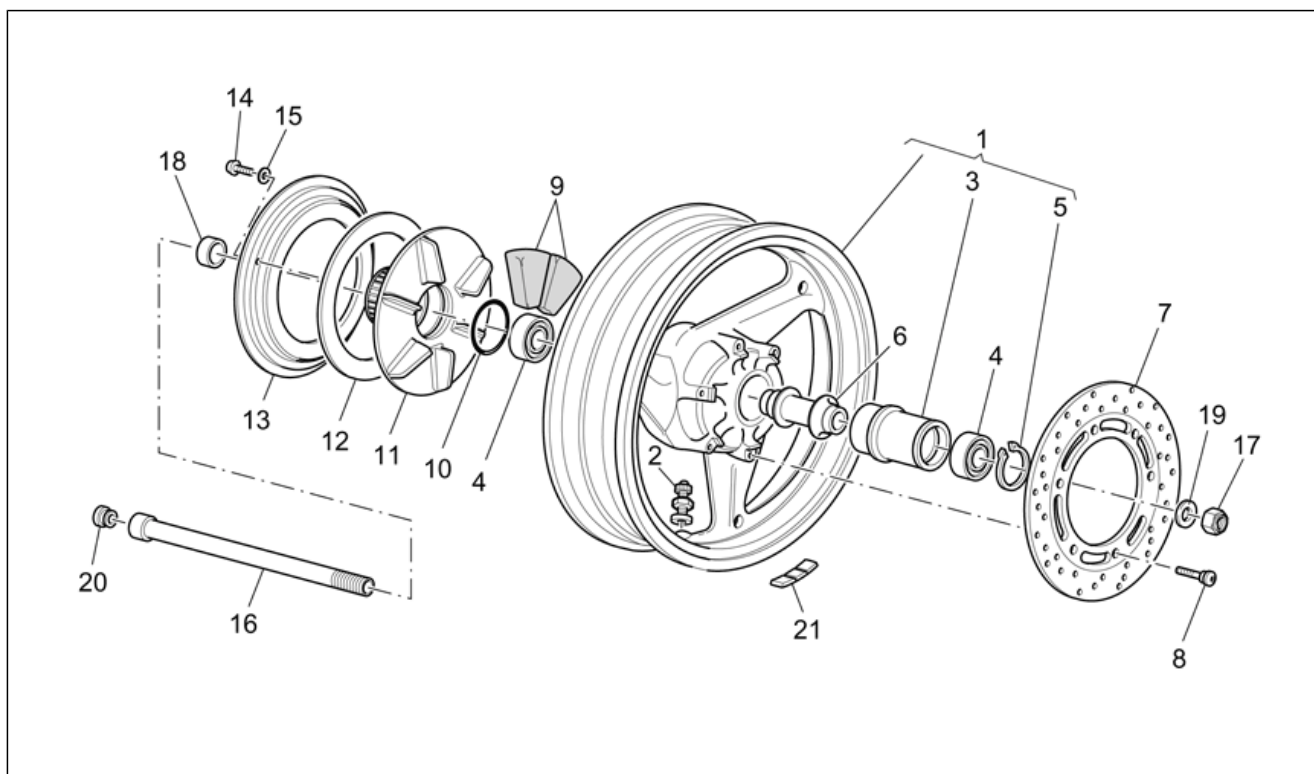
Pos.	Code	Beschrijving	Aant.	Varianten
1	GU01540230	Vork acht.	1	
2	GU92218418	Kogellager	2	
3	GU01547060	Pin	2	
4	GU01547860	Moer	2	
5	GU01550291	Schokdemper "Ohlins"	1	Technical Specifications: V11 Coppa Italia[C.I.], V11 Cafè Sport[C.S.], V11 Scura R[S.R.]
5	GU02550201	Schokdemper Sach-Boge	1	Technical Specifications: V11 SPORT BALLABIO[B.]
6	GU98083670	Bout	1	
7	GU95008213	Sluitring 12,2X20X2	2	
8	GU92640513	Moer	1	
9	GU92640512	Moer	1	
10	GU98680616	Bout ond.	1	
11	GU01557985	Steunplaat	1	
12	GU02107300	Klemmetje	1	
13	GU98210616	Bolbout met binnenzeskant, geflenst	2	
14	GU92630106	Moer M6x1	2	
15	GU00823915045	Rubbertje	1	
16	GU30217900	Sluitring 13x18x1,7	2	

Groep	FRAME
Code	33.33
Beschrijving	Front wheel
Revisie	1



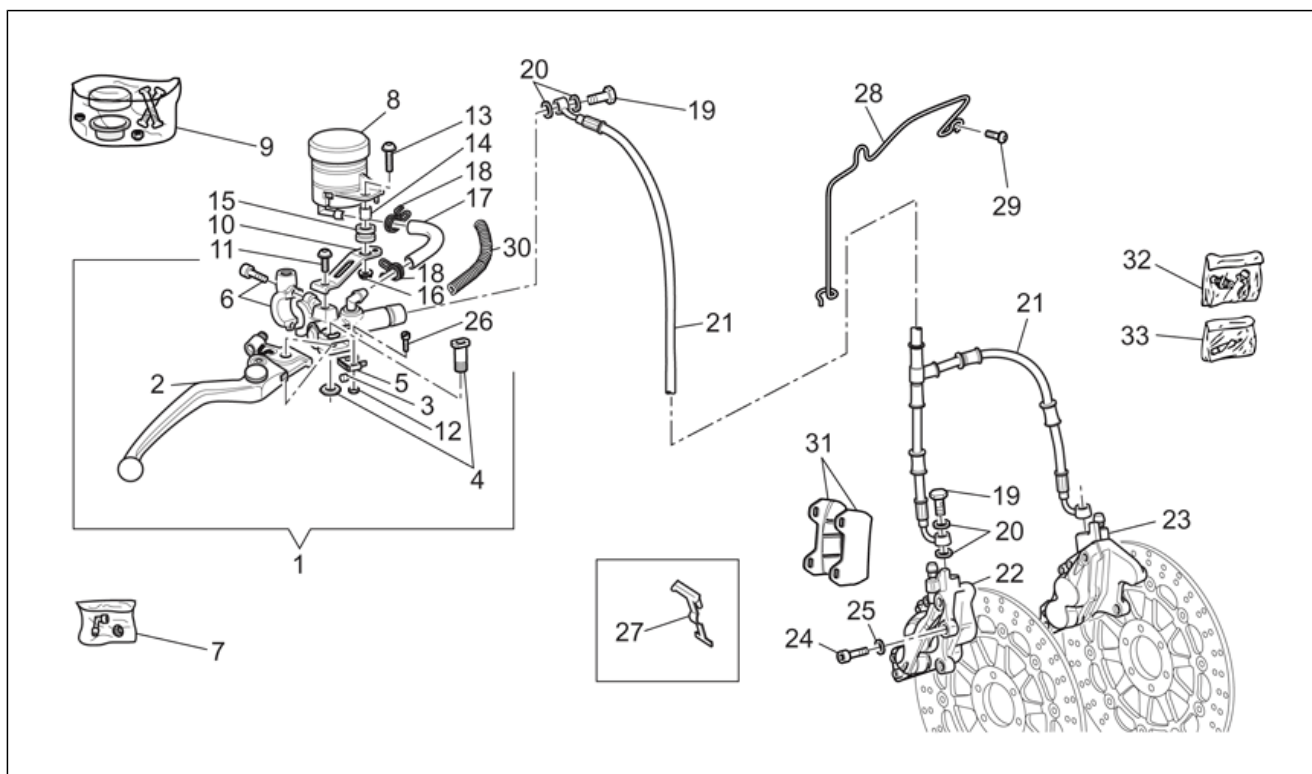
Pos.	Code	Beschrijving	Aant.	Varianten
1	GU01610340	Voorwiel naked grijs 3,5x17"	1	Technical Specifications: V11 Scura R[S.R.]
1	GU01610340	Voorwiel naked grijs 3,5x17"	1	Kleur van het voertuig: V11 Sport Ballabio Grey 2003[B.G.], V11 Sport Ballabio Red 2003[B.R.] Technical Specifications: V11 SPORT BALLABIO[B.]
1	GU01610380	Voorwiel naked bruin 3,5x17"	1	Technical Specifications: V11 Coppa Italia[C.I.], V11 Cafè Sport[C.S.]
2	GU92205227	Kogellager 25x52x15	2	
3	GU01615290	Afstandhouder lagers	1	
4	GU01613330	Remschijf voor	2	
5	GU03611445	Zeskantbout geflenst M8x20	12	
6	GU01614180	Pin voorwiel	1	Technical Specifications: V11 Coppa Italia[C.I.], V11 Cafè Sport[C.S.], V11 Scura R[S.R.]
6	GU01614190	Pin voorwiel	1	Technical Specifications: V11 SPORT BALLABIO[B.]
7	GU01616380	Afstandhouder	1	Technical Specifications: V11 Coppa Italia[C.I.], V11 Cafè Sport[C.S.], V11 Scura R[S.R.]
7	GU01616390	Afstandhouder	1	Technical Specifications: V11 SPORT BALLABIO[B.]
8	GU28617760	Luchtklep	1	
9	GU14616150	Tegengewicht	2	
10	GU95005325	Sluitring 25,2X36X1	1	
11	GU01612190	Moer	1	

Groep	FRAME
Code	33.34
Beschrijving	Rear wheel
Revisie	1



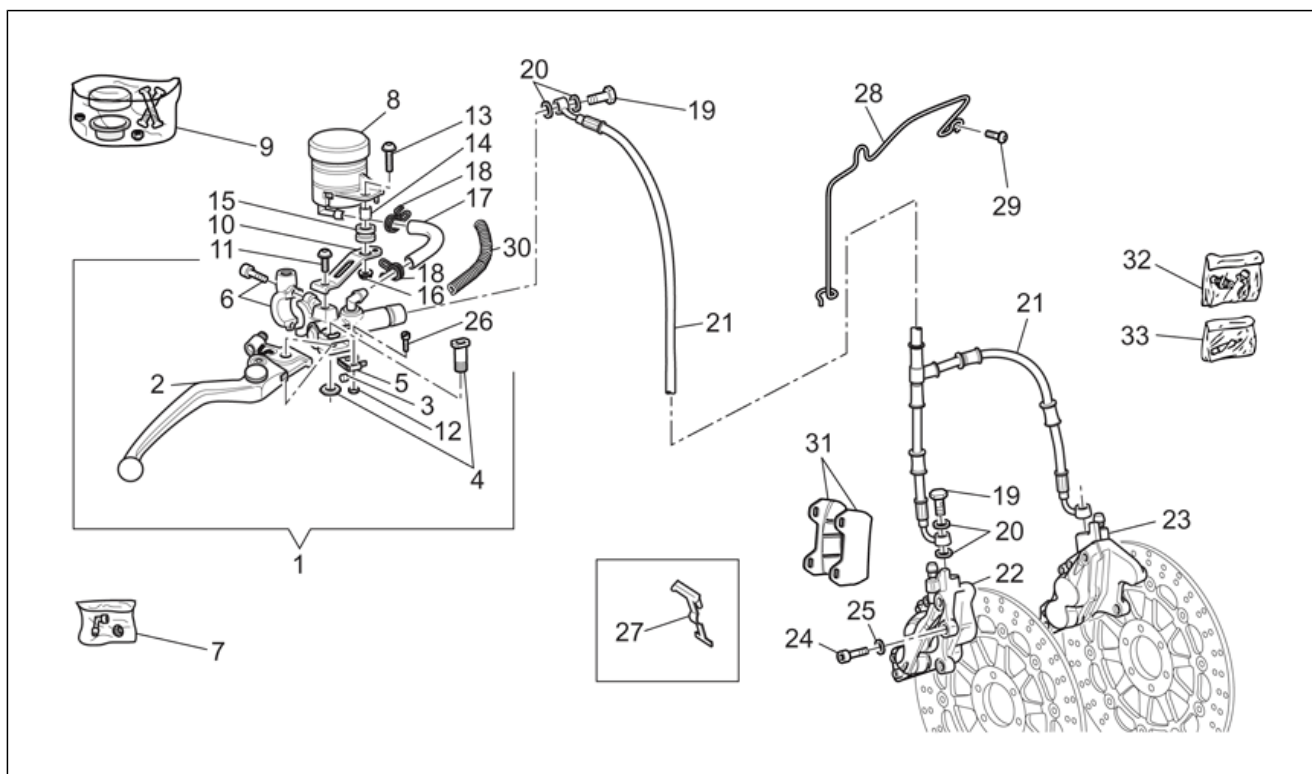
Pos.	Code	Beschrijving	Aant.	Varianten
1	GU01630630	Achterwiel naked grijs 5,5x17"	1	Kleur van het voertuig: V11 Sport Ballabio Grey 2003[B.G.], V11 Sport Ballabio Red 2003[B.R.] Technical Specifications: V11 SPORT BALLABIO[B.]
1	GU01630630	Achterwiel naked grijs 5,5x17"	1	Technical Specifications: V11 Scura R[S.R.]
1	GU01630680	Achterwiel naked bruin 5,5x17"	1	Technical Specifications: V11 Coppa Italia[C.I.], V11 Cafè Sport[C.S.]
2	GU28617760	Luchtklep	1	
3	GU01632200	Naaf	1	
4	GU92204220	Kogellager 20X47X14	2	
5	GU90271055	Seegerring	1	
6	GU01634000	Afstandhouder lagers	1	
7	GU03635700	Remschijf acht. goud	1	
8	GU30611460	Bout	6	
9	GU01336800	Flexibele koppeling	12	
10	GU90706490	OR-ring	1	
11	GU01335230	Schijf schokbesch.	1	
12	GU14335350	Ring	1	
13	GU14335650	Flens	1	
14	GU98230620	Bout	6	
15	GU03013800	Sluitering 6,4x12	6	
16	GU01633330	Pin achterwiel	1	
17	GU92630719	Moer M18	1	
18	GU01634130	Afstandhouder	1	
19	GU95008219	Sluitering 19x34x3	1	
20	GU93180111	Dop 15 mm	1	
21	GU14616150	Tegengewicht	2	

Groep	FRAME
Code	33.35
Beschrijving	Front brake system
Revisie	1



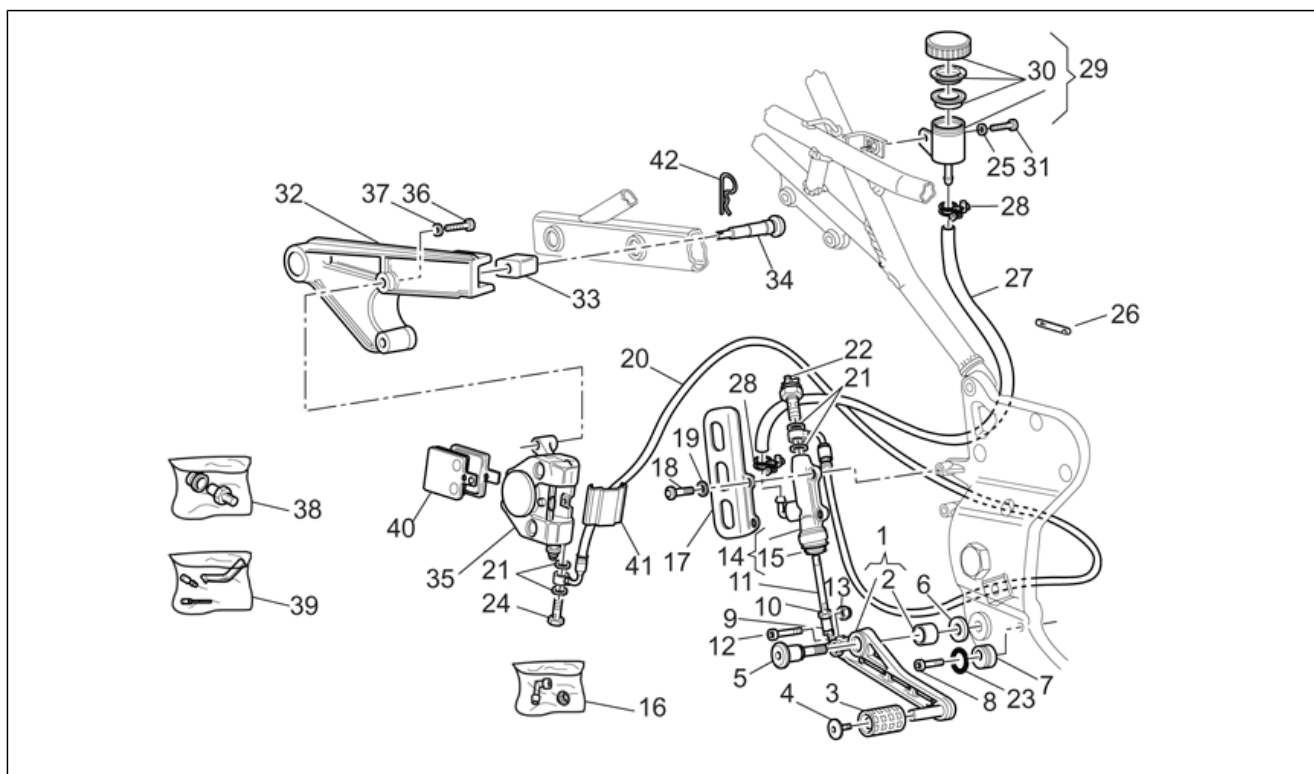
Pos.	Code	Beschrijving	Aant.	Varianten
1	GU01660140	Pomp voorrem hendel zwart	1	
2	GU01605640	Hendel voorrem.	1	
3	GU92295708	Bol	1	
4	GU27604815	Pin	1	
5	GU30749860	Microschakelaar	1	
6	GU01530582	Beugel	1	
7	GU19659500	Kit verbinding pomp	1	
8	GU30665000	Oliereservoir remmen	1	
9	GU30661100	Bedekking tank	1	
10	GU01661460	Steun tank	1	
11	GU98230613	Bout	1	
12	GU92601002	Moer	2	
13	GU98223620	Bolbout met binnenzeskant, geflenst M6x20	1	
14	GU91180617	Afstandhouder 6,2x8x13,5	1	
15	GU91551167	Rubbetje 8x18	1	
16	GU92660604	Moer	1	
17	GU00823950050	Olieleiding	1	
18	GU61108500	Klemmetje D9	2	
19	AP8113003	Bout olieleiding *	3	
20	AP8113004	Sluitring 10x14x1,6*	6	
21	GU01658881	Remleiding cpl.	1	
22	GU01652330	Tang voorrem re goud	1	
23	GU01652230	Tang voorrem li goud	1	
24	GU98683530	Bout M10x30	4	
25	GU19149800	Sluitring 10,5x16x1	4	
26	GU98200214	Bout	2	
27	GU01659131	Veer	2	
28	GU01659780	Kabelgeleider	1	

Groep	FRAME
Code	33.35
Beschrijving	Front brake system
Revisie	1



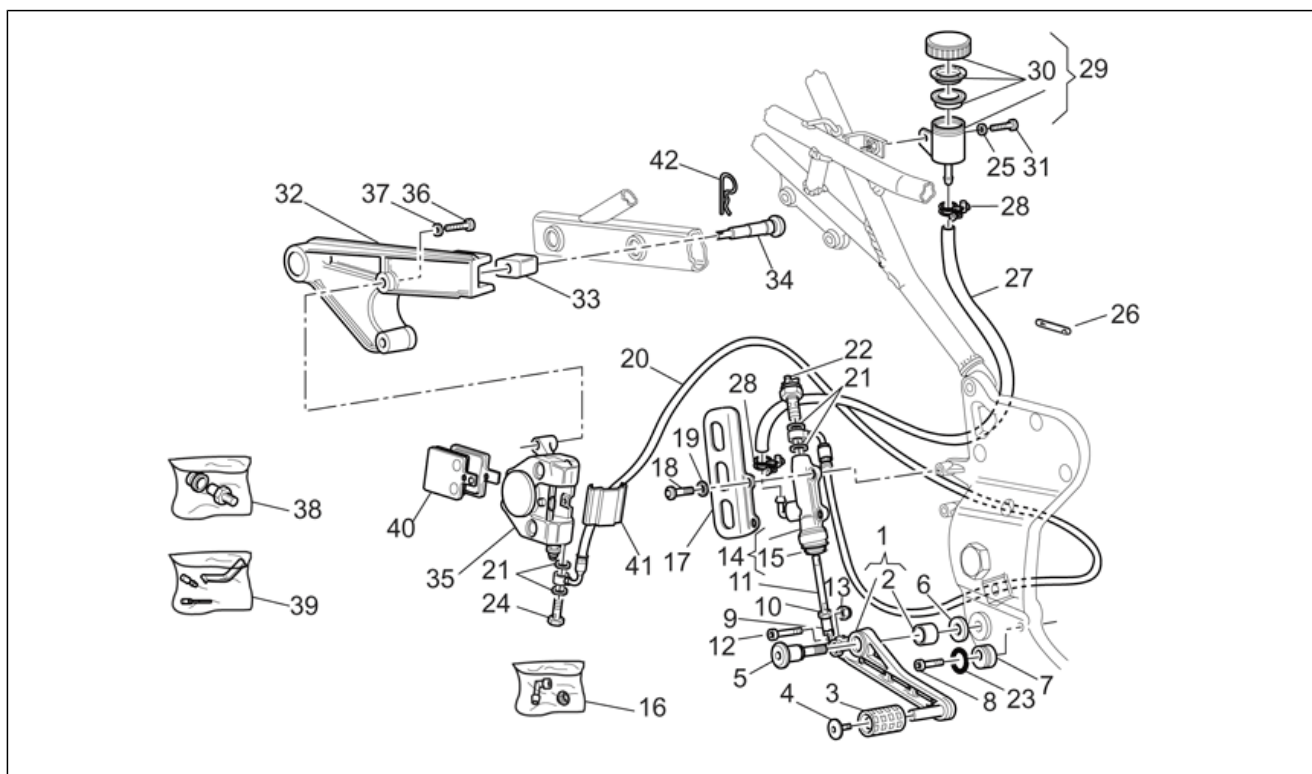
Pos.	Code	Beschrijving	Aant.	Varianten
29	GU98350312	Bolbout met binnenzeskant M6x12	1	
30	GU30665860	Veer	1	
31	GU01654630	Pastilles - koppel	2	
32	GU01659230	Ontluchting+kapje	2	
33	GU01659130	Pinnen+Veren tang	2	

Groep	FRAME
Code	33.36
Beschrijving	Rear brake system
Revisie	1



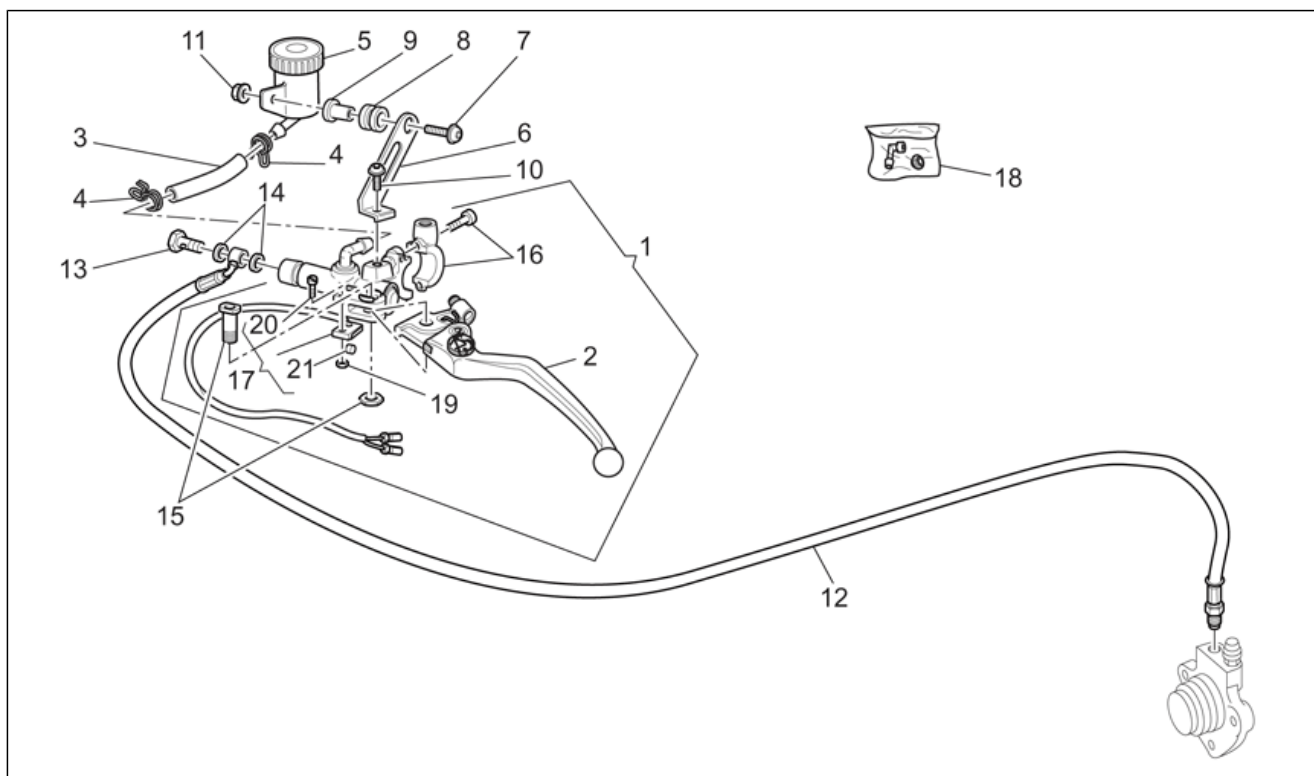
Pos.	Code	Beschrijving	Aant.	Varianten
1	GU01677060	Hendel achterrem	1	
2	GU37678105	Bus	1	
3	GU14251001	Rubbertje	1	
4	GU98370616	Bolbout met binnenzeskant M6x16 inox	1	
5	GU37676605	Pin	1	
6	GU95100342	Sluitring	1	
7	GU01677630	Excentriek	1	
8	GU98682325	Binnenzeskantbout M6x25	1	
9	GU30675300	Sfeervormig buigpunt	1	
10	GU92606206	Moer	1	
11	GU01675200	Staaft pomp rem	1	
12	GU98682320	Binnenzeskantbout M6x20	1	
13	GU92630707	Moer	1	
14	GU30666900	Pomp van de achterrem	1	
15	GU30530525	Besch.band	1	
16	GU19659500	Kit verbinding pomp	1	
17	GU30665400	Besch.pl. pomp	1	
18	GU98350320	Bolbout met binnenzeskant M6x20	2	
19	GU14217901	Gekart. sluitring 6,4x10x0,7	2	
20	GU01657531	Remleiding grijs	1	
21	AP8113004	Sluitring 10x14x1,6*	4	
22	GU14657050	Stopschakelaar	1	
23	GU90706170	O-ring 17,13x2,62	1	
24	AP8113003	Bout olieleiding *	1	
25	GU95008206	Sluitring 6,15x11x0,8	1	
26	GU03609600	Klemmetje L36 mm	1	
27	GU00823950050	Olieleiding	1	
28	GU19157800	Klemmetje	2	

Groep	FRAME
Code	33.36
Beschrijving	Rear brake system
Revisie	1



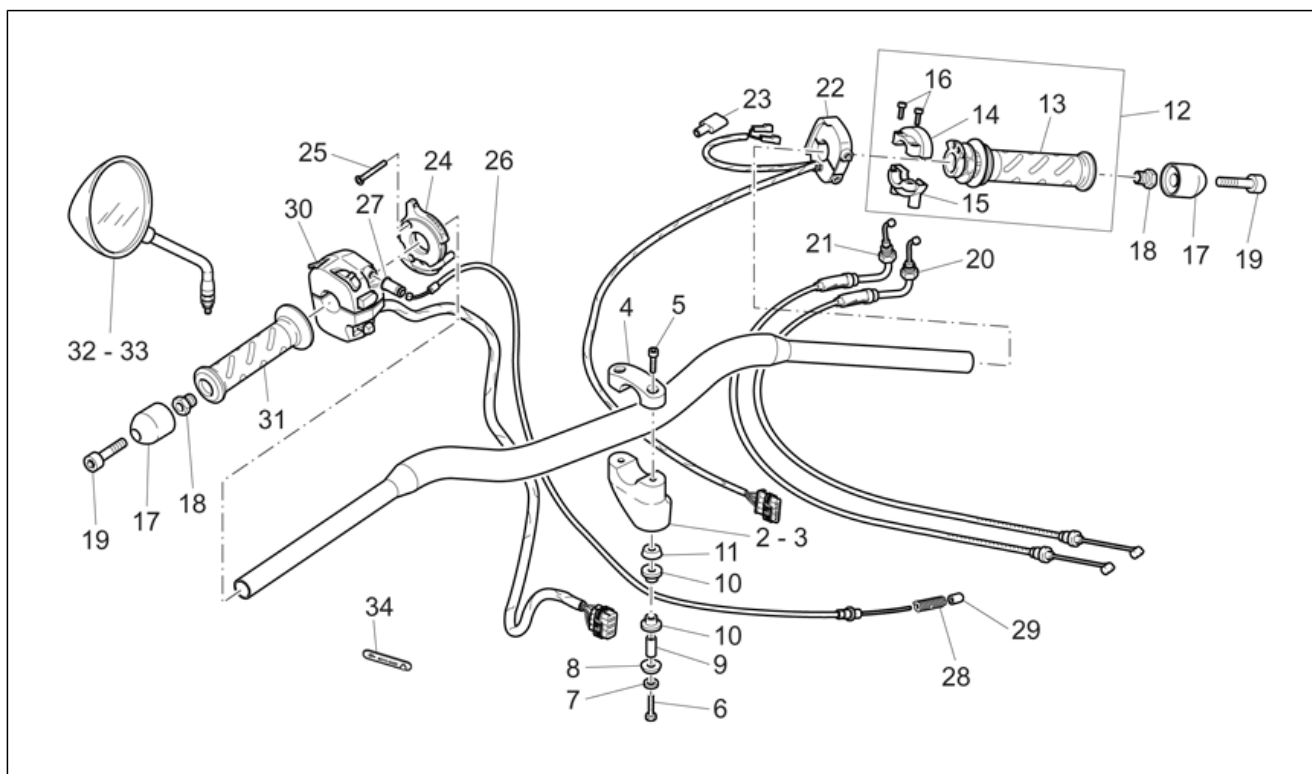
Pos.	Code	Beschrijving	Aant.	Varianten
29	GU30663500	Oliereservoir remmen cpl.	1	
30	GU30661101	Bedekking tank	1	
31	GU98682316	Binnenzeskantbout M6x16	1	
32	GU01635840	Beugel zwart	1	
33	GU37636105	Blokje	1	
34	GU01638630	Speciale bout	1	
35	GU30653001	Tang achterrem goud	1	
36	GU98682430	Binnenzeskantbout M8x30	2	
37	GU14615901	Sluitring 8,4X13X0,8	2	
38	GU31659260	Ontluchting+kapje BREMBO D.10	1	
39	GU30659101	Pin+veer tang	1	
40	GU27654610	Pastilles - koppel BREMBO	1	
41	GU30654700	Bedekking remtang	1	
42	GU02466900	Splitpen	1	

Groep	FRAME
Code	33.37
Beschrijving	Clutch control complete
Revisie	1



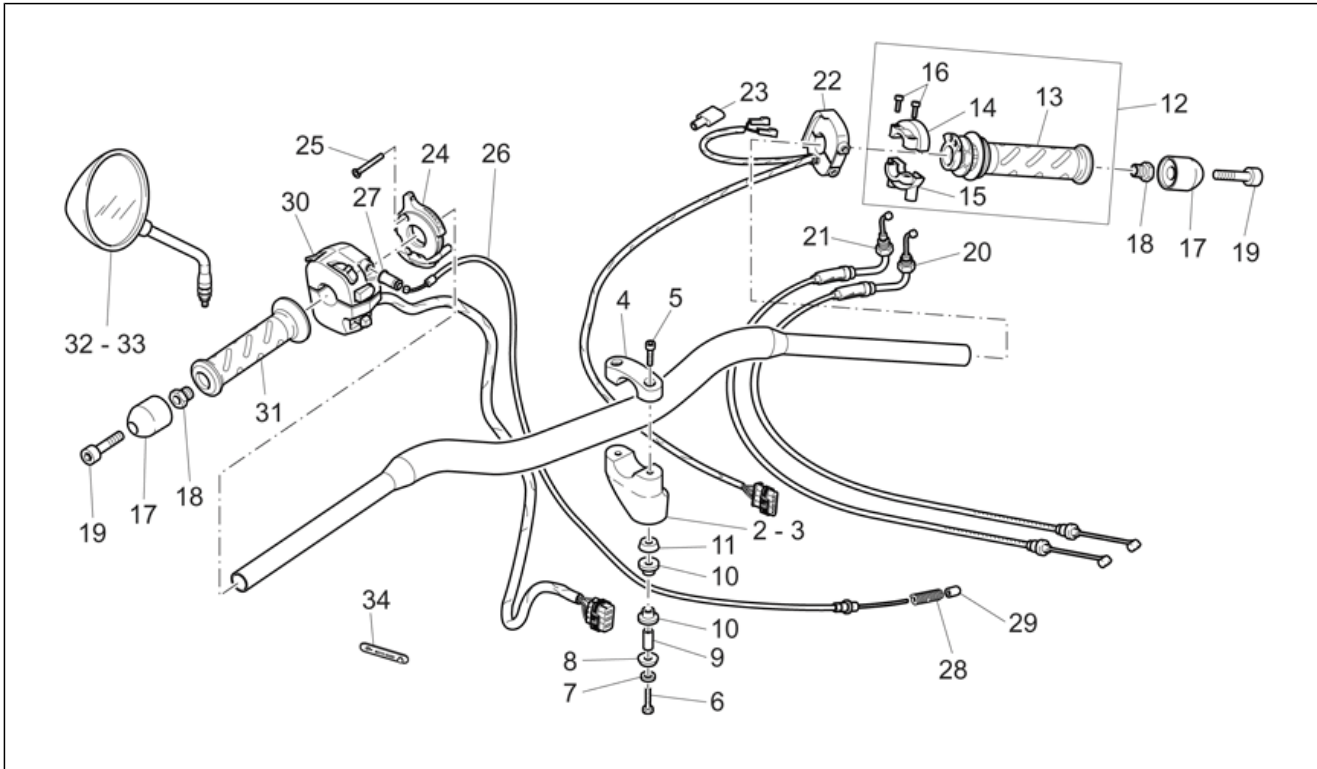
Pos.	Code	Beschrijving	Aant.	Varianten
1	GU01605560	Pomp koppeling hendel zwart	1	
2	GU01605760	Clutch Lever silver	1	
3	GU00823950050	Olieleiding	1	
4	GU61108500	Klemmetje D9	2	
5	GU01663530	Olietank	1	
6	GU01609030	StAAF	1	
7	GU98230613	Bout	1	
8	GU91551083	Rubbertje	1	
9	GU91120610	Afstandhouder	1	
10	GU98223620	Bolbout met binnenzeskant, geflenst M6x20	1	
11	GU92660604	Moer	1	
12	GU01606580	Buis koppeling	1	
13	GU95990028	Bout olieleiding *	1	
14	GU25656100	Pakking in aluminium	2	
15	GU27604815	Pin	1	
16	GU01530582	Beugel	1	
17	GU01530581	Microschakelaar cpl.	1	
18	GU19659500	Kit verbinding pomp	1	
19	GU92601002	Moer	2	
20	GU98200214	Bout	2	
21	GU92295708	Bol	1	

Groep	FRAME
Code	33.38
Beschrijving	Handlebar - Controls
Revisie	1



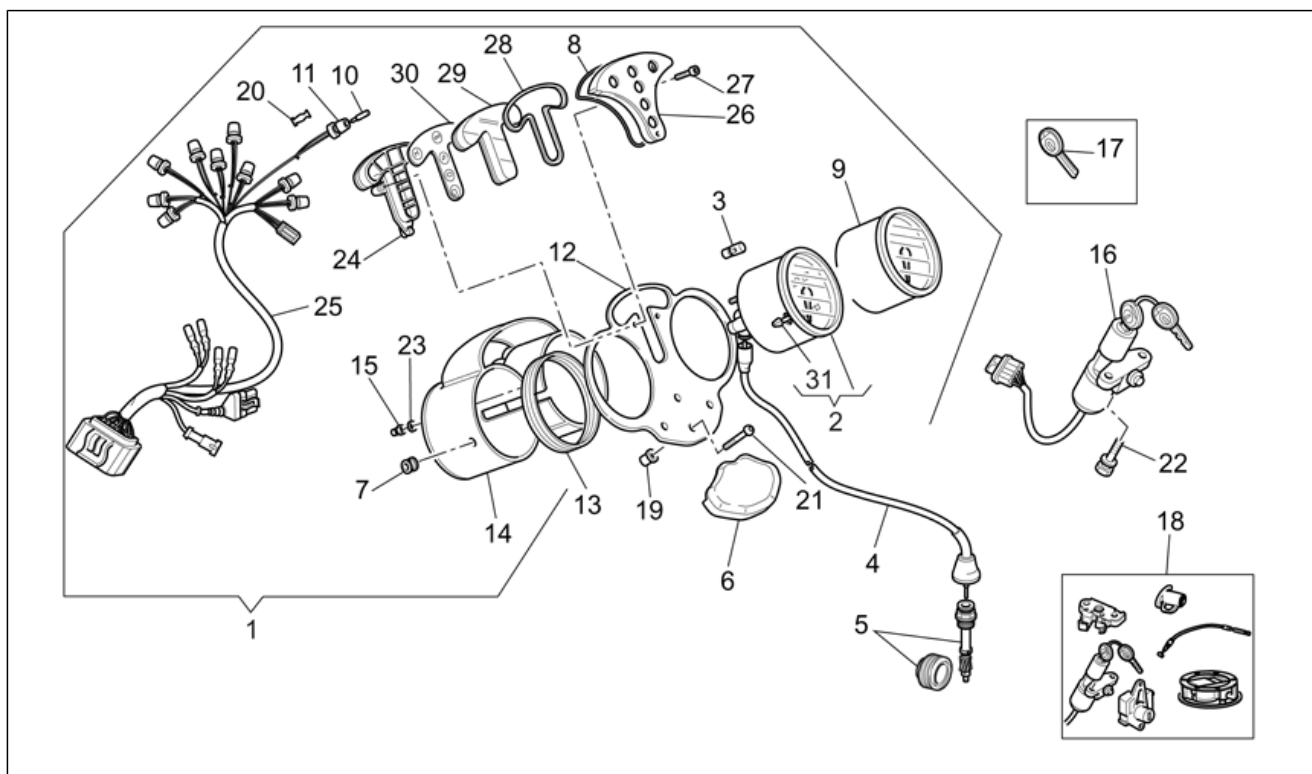
Pos.	Code	Beschrijving	Aant.	Varianten
1	AP8118678	Stuur goud	1	Technical Specifications: V11 Coppa Italia[C.I.], V11 Cafè Sport[C.S.], V11 Scura R[S.R.]
1	GU01600382	Stuur grijs	1	Technical Specifications: V11 SPORT BALLABIO[B.]
2	GU01500280	Beugel ond.re	1	
3	GU01500281	Beugel ond.li	1	
4	GU01500680	Standaard bov.	2	
5	GU98682430	Binnenzeskantbout M8x30	4	
6	AP8150049	Bout M10x60	2	
7	GU95008210	Sluitring 10,2X18X2	2	
8	GU27530505	Plaatje	2	
9	GU91181039	Afstandhouder	2	
10	AP8144222	Rubbetje	4	
11	GU91182004	Afstandhouder 20x29x4	2	
12	GU01603380	Gascommando cpl.	1	
13	GU01603480	Handvat re	1	
14	AP8118567	Beugel acht.gascommando	1	
15	AP8118566	Beugel voor.gascommando	1	
16	AP8118492	Bout schroefasmoer	2	
17	AP8104509	Antitrikgewicht v.zwart	2	
18	AP8121520	Terminal antitrikgewicht	2	
19	GU98680345	Binnenzeskantbout	2	
20	GU01117580	Kabel opening gas	1	
21	GU01117880	Kabel sluiting gas	1	
22	GU01738890	Mechanisme engine stop-start	1	
23	GU01664030	Kapje	1	
24	GU01132330	Commando starter	1	
25	GU98257320	Bout	2	
26	GU01132830	Kabel starter	1	

Groep	FRAME
Code	33.38
Beschrijving	Handlebar - Controls
Revisie	1



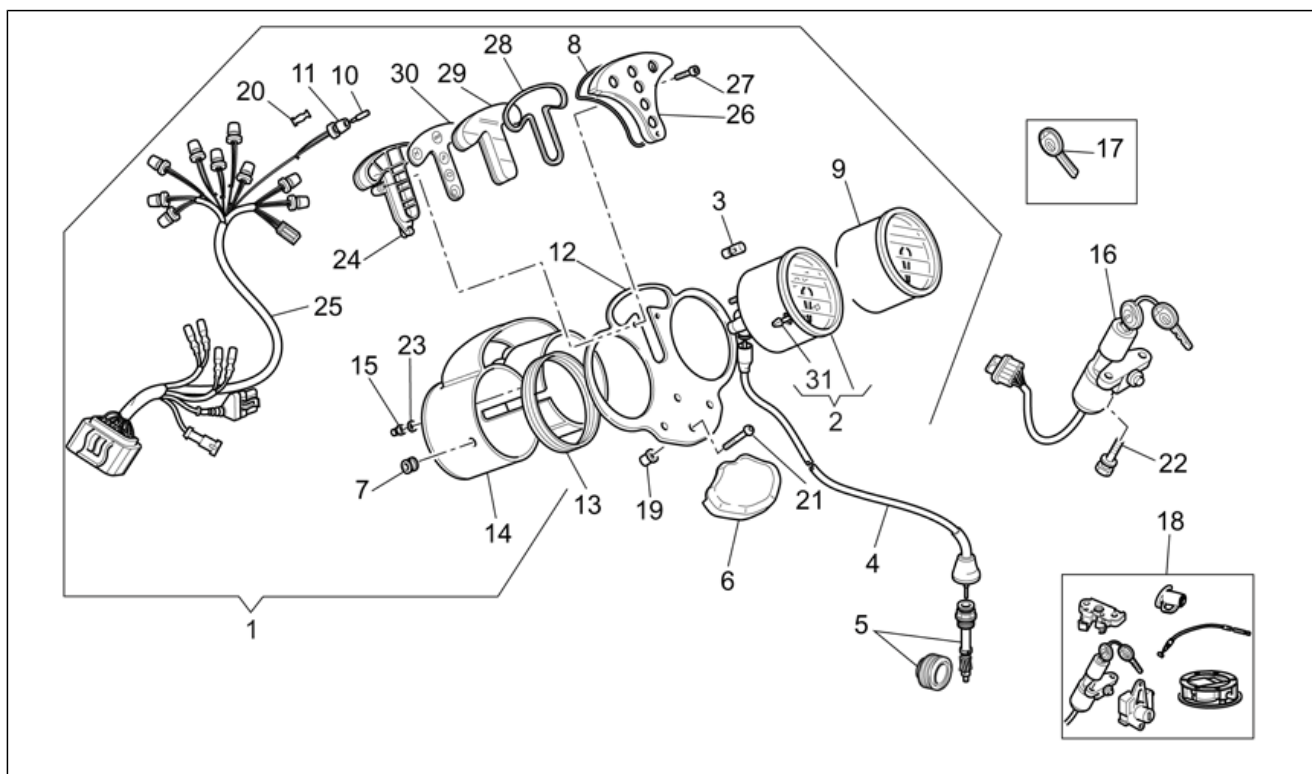
Pos.	Code	Beschrijving	Aant.	Varianten
27	GU29132750	Rubbetje	1	
28	GU94321074	Veer 7x1,1x25	1	
29	GU39094200	Dop	1	
30	GU01738095	Schak.lichten li	1	
31	AP8118579	Handvat li	1	
32	GU01769490	Achteruitkijkspiegel re	1	
33	GU01769890	Achteruitkijkspiegel li	1	
34	GU01609630	Klemmetje L46 mm	3	

Groep	FRAME
Code	33.39
Beschrijving	Dashboard
Revisie	1



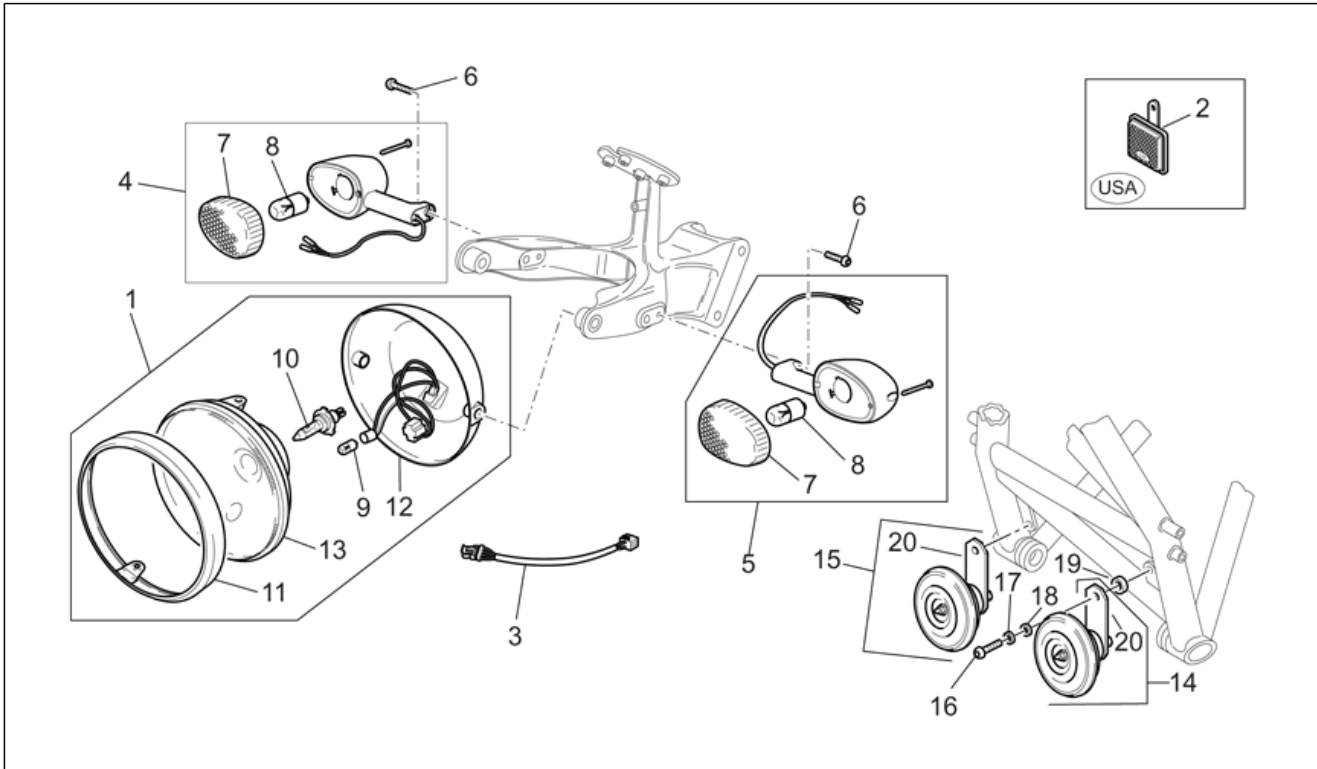
Pos.	Code	Beschrijving	Aant.	Varianten
1	GU01760080	Dashboard cpl.	1	LAND:Australia[AUS], Other country[EU], Japan[J], New Zeland[NZ]
1	GU01760081	Dashboard cpl.	1	LAND:Great Britain[UK], United States of America[USA]
2	GU01761560	Snelheidsmeter	1	LAND:Australia[AUS], Other country[EU], Japan[J], New Zeland[NZ]
2	GU01762490	Snelheidsmeter	1	LAND:Great Britain[UK], United States of America[USA]
3	GU93450120	Lamp 12v-3w	2	
4	GU01760481	Kabel snelheidsmeter	1	
5	GU01762560	Overbrenging kilometerteller	1	
6	GU01766880	Bedekking	1	
7	GU91551168	Rubbertje	1	
8	GU03762370	Pakking	1	
9	GU01767260	Elektron. toerenteller	1	
10	GU93450140	Lamp	6	
11	GU02768600	Lamphouder	6	
12	GU01764080	Steunplaat	1	
13	GU02762301	Rubber	2	
14	GU01762090	Steun kilometerteller	1	
15	GU92787205	Moer blind	4	
16	GU01782500	Starblokje-blokk.	1	
17	GU30735500	Sleutel glad onafgew.	1	
18	GU01736880	Stuurslot eenheid	1	LAND:Australia[AUS], Other country[EU], Japan[J], New Zeland[NZ], Great Britain[UK]
18	GU01736881	Stuurslot eenheid	1	LAND:United States of America[USA]
19	GU93222023	Silent-blokk	4	
20	GU93400012	Terminal lamphouder	6	
21	GU98682310	Binnenzeskantbout M6x10	4	
22	GU97260415	Speciale bout M8x15	2	
23	GU95008304	Sluitring	4	

Groep	FRAME
Code	33.39
Beschrijving	Dashboard
Revisie	1



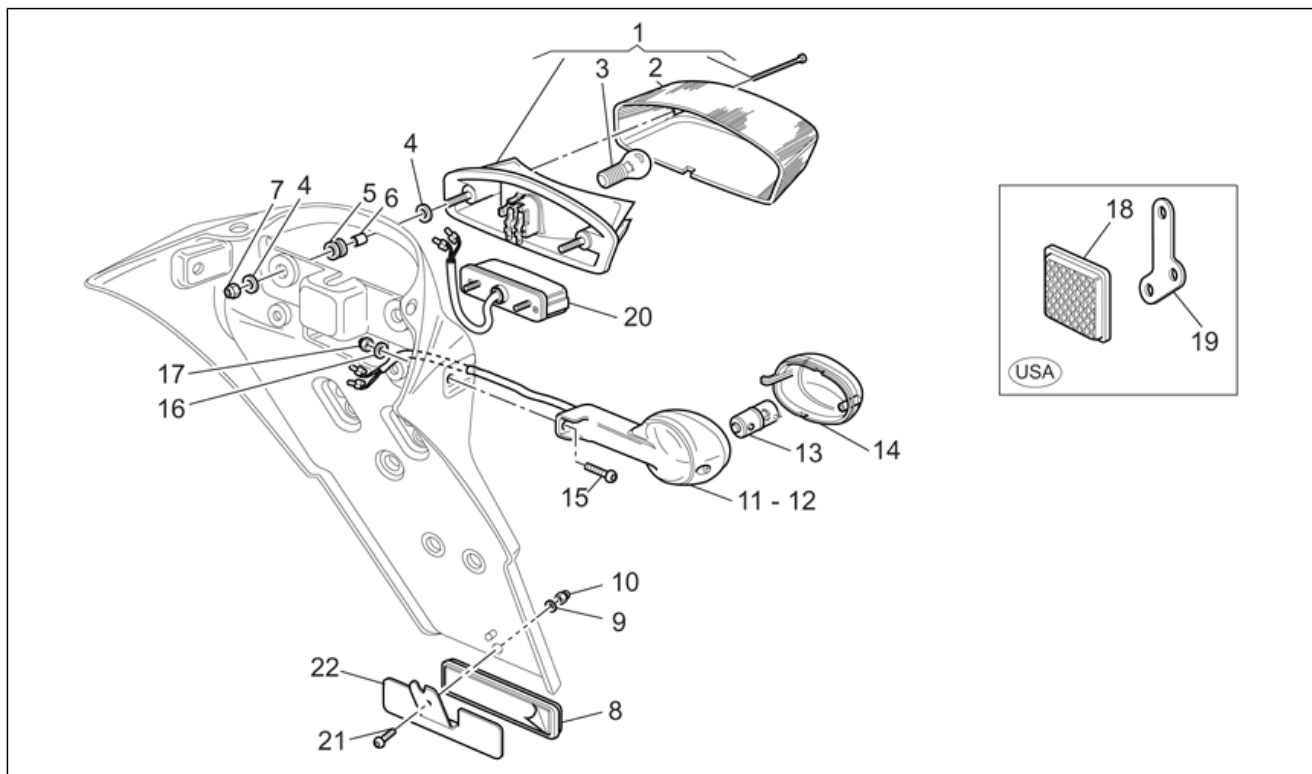
Pos.	Code	Beschrijving	Aant.	Varianten
24	GU02766300	Kast controlelampen	1	
25	GU01747280	Hoofdzakelijke bekabeling	1	
26	GU01766240	Doos controlelampen zwart	1	
27	GU98872120	Bout	3	
28	GU02768200	Pakking	1	
29	GU02768400	Bescherming	1	
30	GU03781150	Pakking	1	
31	GU03762870	Knop nulstelling	1	

Groep	FRAME
Code	33.40
Beschrijving	Headlight
Revisie	1



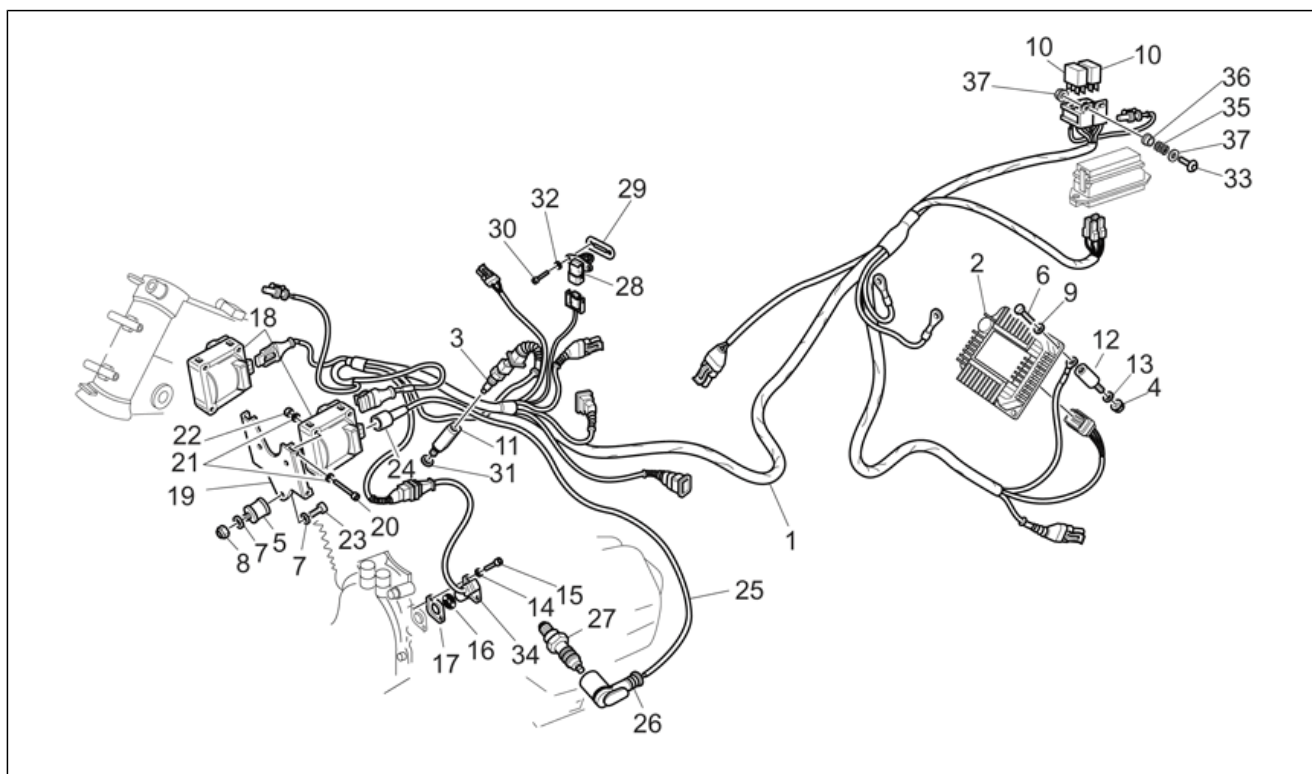
Pos.	Code	Beschrijving	Aant.	Varianten
1	GU32740510	Voorlicht	1	LAND:Other country[EU], United States of America[USA]
1	GU32740511	Voorlicht m/o geleider li	1	LAND:Australia[AUS], Japan[J], Great Britain[UK]
2	GU01781600	Reflector amber	2	LAND:United States of America[USA]
3	GU01757680	Kabel adapter	1	
4	GU01750680	Richtingaanw. li	1	
5	GU01751680	Richtingaanw. li	1	
6	GU98350318	Bolbout met binnenzeskant	2	
7	GU32753710	Glas richtingaanw.	2	
8	GU93450126	Lamp oranje	2	
9	GU93450105	Lamp	1	
10	GU93450232	Lamp 12V-55/60W	1	
11	GU31740383	Moer verchr.	1	
12	GU32740210	Kap voor.zwart	1	
13	GU32740410	Optische groep	1	LAND:Other country[EU], United States of America[USA]
13	GU32740411	Optische groep m/o geleider li	1	LAND:Australia[AUS], Japan[J], Great Britain[UK]
14	GU01743790	Claxon acute toon H	1	
15	GU01743791	Claxon acute toon L	1	
16	GU98682320	Binnenzeskantbout M6x20	2	
17	GU14217901	Gekart. sluitring 6,4x10x0,7	2	
18	GU95008306	Sluitring 6,4x12x1,2	2	
19	GU91180605	Afstandhouder	2	
20	GU01744200	Staaf	2	

Groep	FRAME
Code	33.41
Beschrijving	Taillight
Revisie	1



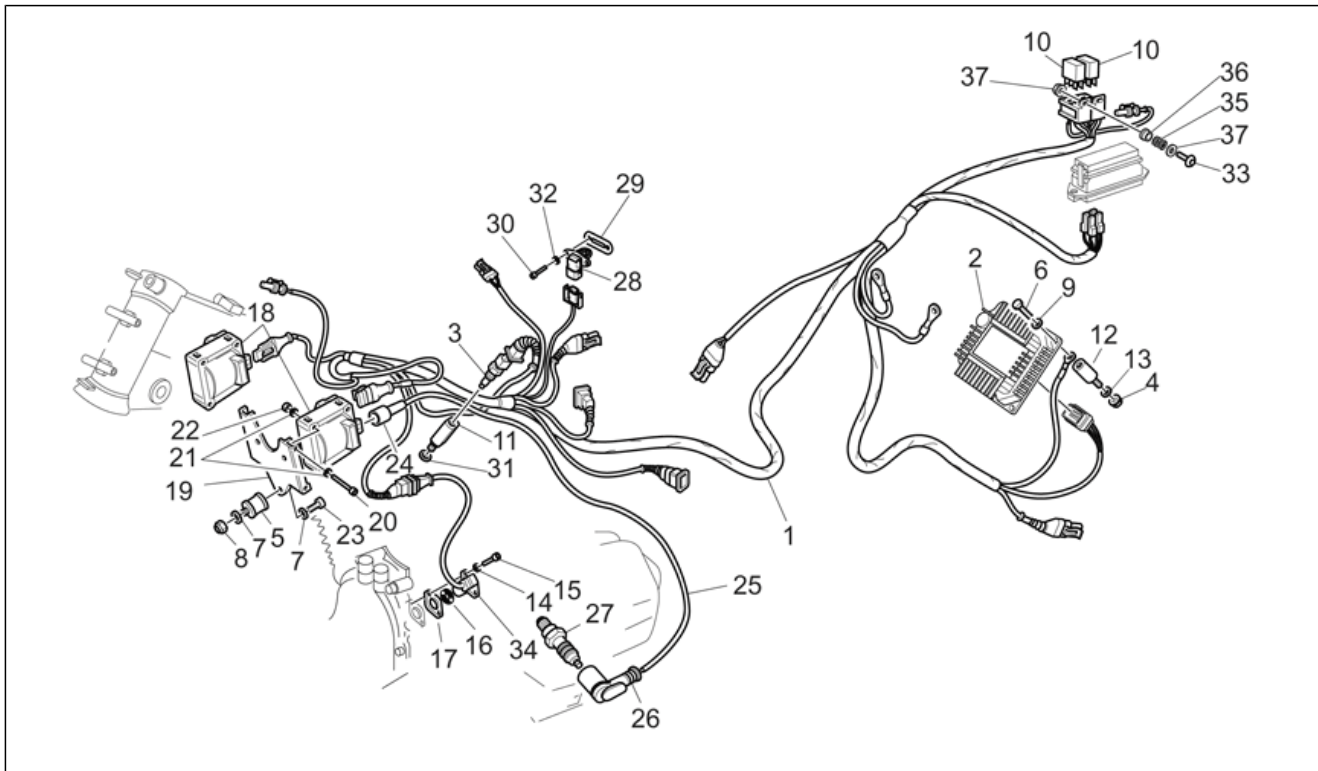
Pos.	Code	Beschrijving	Aant.	Varianten
1	GU01740930	Achterlicht	1	
1	GU01740931	Achterlicht ECIE	1	
2	GU01741730	Glas achterlicht	1	
2	GU01741731	Glas achterlicht ECIE	1	
3	GU93450224	Lamp	1	
4	GU95100141	Sluitring 6,4x12x1,2	4	
5	GU91551086	Rubbertje	2	
6	GU91180608	Afstandhouder	2	
7	GU92630206	Moer M6x1	2	
8	GU31781565	Reflector	1	
9	GU30577800	Sluitring in nylon 5,5X12X1	1	
10	GU92787205	Moer blind	1	
11	GU01751680	Richtingaanw. li	1	
12	GU01750680	Richtingaanw. li	1	
13	GU93450126	Lamp oranje	2	
14	GU32753710	Glas richtingaanw.	2	
15	GU98350320	Bolbout met binnenzeskant M6x20	2	
16	GU95100121	Sluitring 5,3x10x0,5	2	
17	GU92630106	Moer M6x1	2	
18	GU14781570	Reflector rood	2	LAND:United States of America[USA]
19	GU30781820	Houder reflector	2	LAND:United States of America[USA]
20	GU02745200	Licht nummerplaat	1	
21	GU98230512	Bolbout met binnenzeskant	1	
22	GU01475330	Houder reflector	1	

Groep	FRAME
Code	33.44
Beschrijving	Injection electrical system
Revisie	1



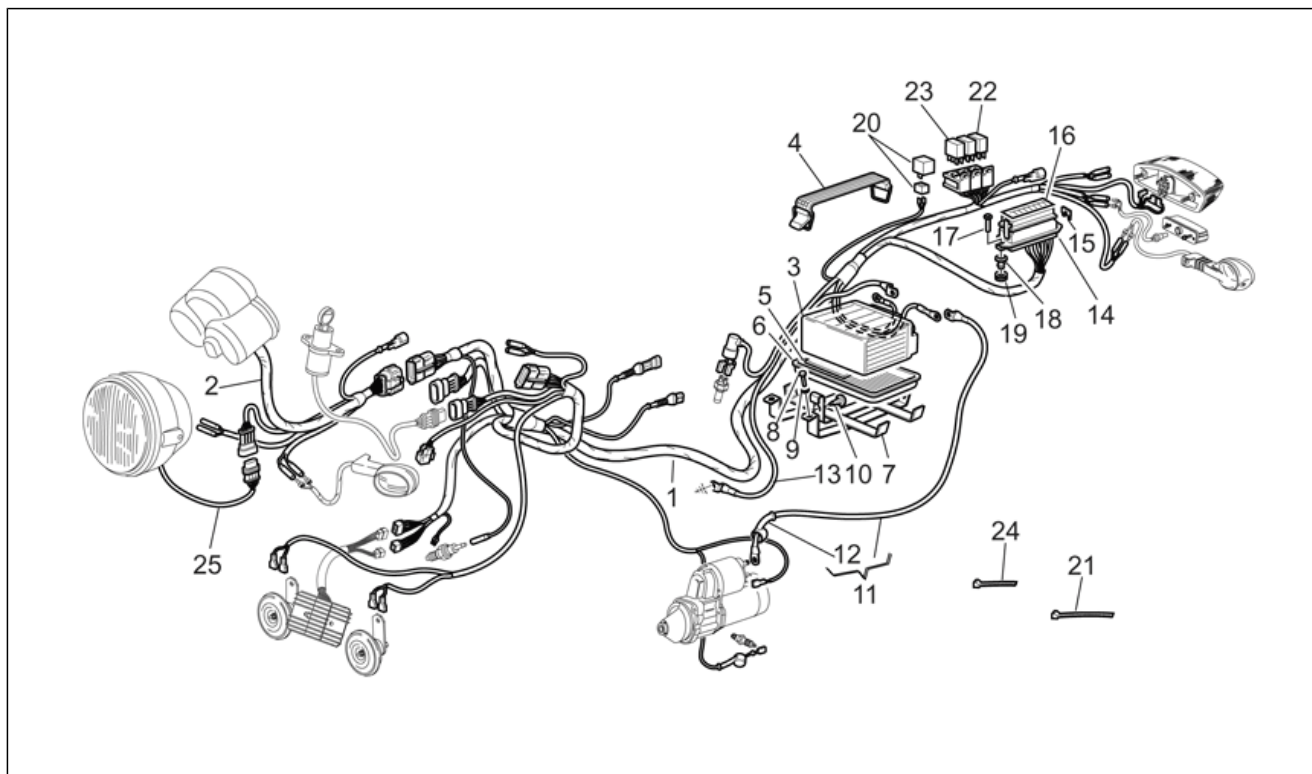
Pos.	Code	Beschrijving	Aant.	Varianten
1	GU01725875	Bekabeling injectie	1	Technical Specifications: Coupled with YUASA battery[T6]
1	GU01725891	Bekabeling injectie	1	Technical Specifications: Coupled with SPARK500E battery[T5]
2	GU01729590	Ontstekingscentrale CDI	1	LAND: United States of America[USA] Technical Specifications: NO catalytic version[nocat]
2	GU01729592	Ontstekingscentrale CDI	1	Technical Specifications: Catalytic version[cat]
3	GU29729461	Temperatuursensor olie	1	
4	GU92650034	Moer	4	
5	GU93222023	Silent-block	3	
6	GU98084112	Bout	4	
7	GU95008306	Sluitring 6,4x12x1,2	6	
8	GU92630106	Moer M6x1	3	
9	GU95008204	Sluitring 4,3x8x0,5	4	
10	GU01732560	Microsch.siemens A1001A402	2	
11	GU03163330	Steun sensor	1	
12	GU93221315	Antitriilsteun	4	
13	GU95129080	Sluitring	4	
14	GU95008205	Sluitring 5,3x10x0,8	2	
15	GU98682212	Binnenzeskantbout M5x12	2	
16	GU90706141	OR-ring	1	
17	GU01722700	Pakking 0,3mm	2	
17	GU01722701	Pakking 0,4 mm	2	
17	GU01722702	Pakking 0,6mm	2	
17	GU01722703	Pakking	2	
17	GU01722704	Pakking 1mm	2	
17	GU01722705	Pakking 1,5mm	2	
17	GU29722760	Pakking 0,5 mm	2	
18	GU30716500	H.S. bobine	2	

Groep	FRAME
Code	33.44
Beschrijving	Injection electrical system
Revisie	1



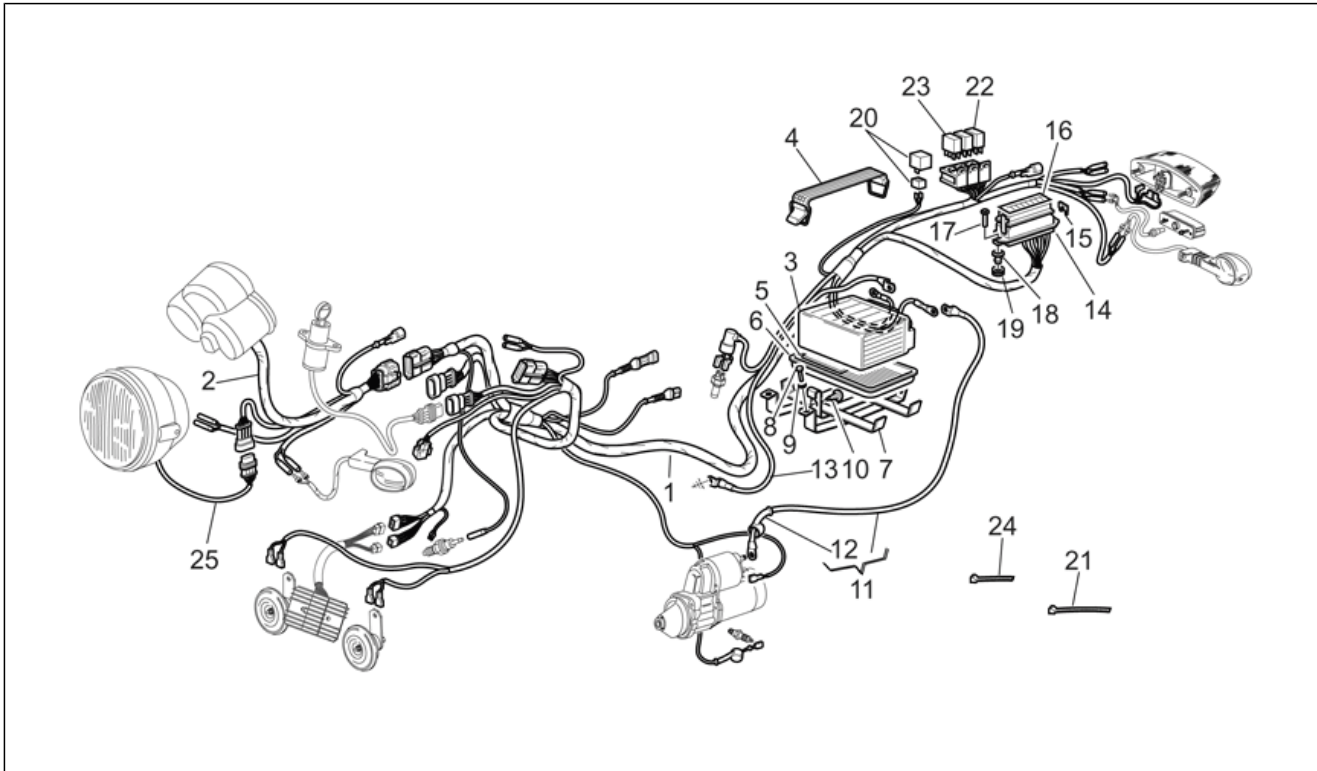
Pos.	Code	Beschrijving	Aant.	Varianten
19	GU01407460	Steun bobine	1	
20	GU98682125	Binnenzeskantbout	4	
21	GU95021204	Sluitring	4	
22	GU92630104	Moer M4x0,7	4	
23	GU98682310	Binnenzeskantbout M6x10	3	
24	GU14717600	Kapje	2	
25	GU01718330	H.S. kabel	2	
26	GU01717430	Pipet bougie	2	
27	GU30717061	Bougie NGK BPR6ES	2	
28	GU30729330	Sensor luchttemperatuur	1	
29	GU30027931	Pakking	1	
30	GU98680110	Binnenzeskantbout M3x10	2	
31	GU95008210	Sluitring 10,2X18X2	1	
32	GU95000203	Sluitring	2	
33	GU98325316	Bout	2	
34	GU01721600	Fasesensor	1	
35	GU91551086	Rubbetje	2	
36	GU91110508	Afstandhouder	2	
37	GU92650105	Moer	2	

Groep	FRAME
Code	33.45
Beschrijving	Electrical system
Revisie	1



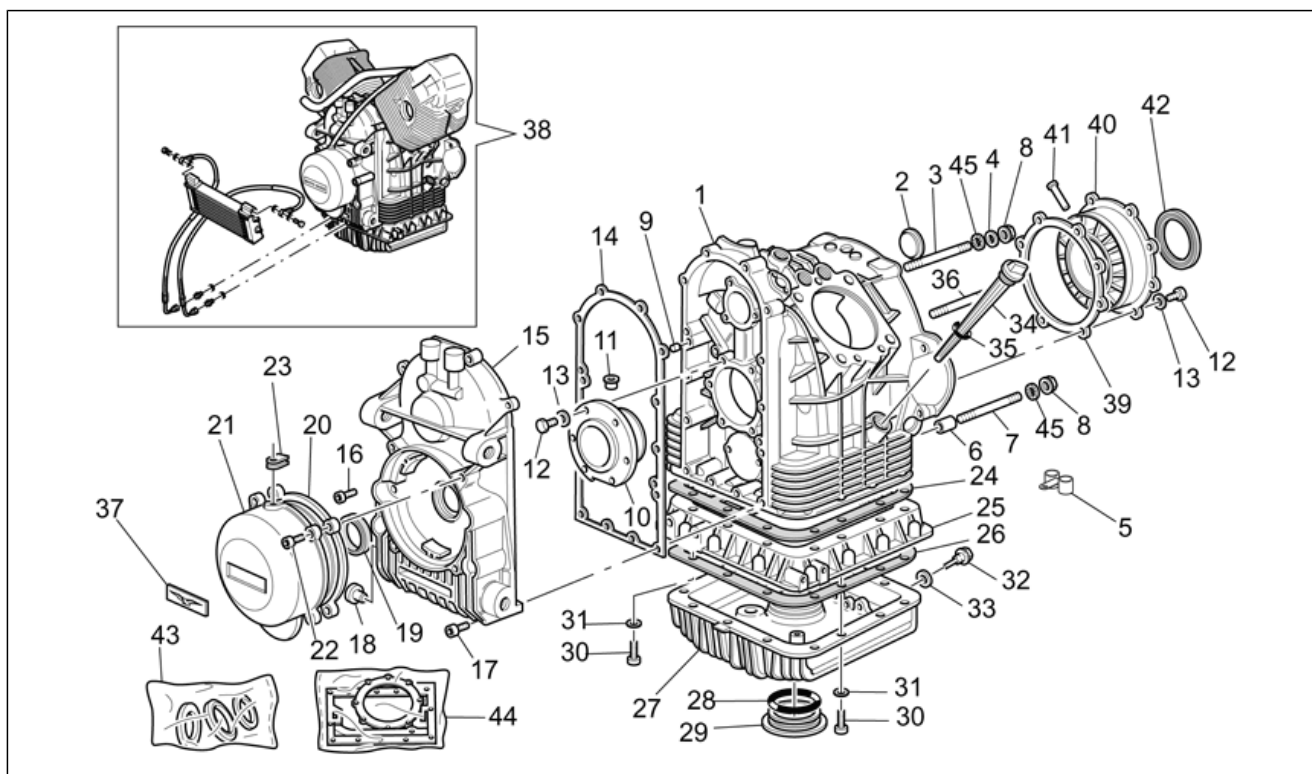
Pos.	Code	Beschrijving	Aant.	Varianten
1	GU01747190	Hoofdzakelijke bekabeling	1	Technical Specifications: 1st Serie[1S], Coupled with magneto assy 1st serie, see tab.42[T3]
1	GU01747191	Hoofdzakelijke bekabeling	1	Technical Specifications: 2nd Serie[2S], Coupled with magneto assy 2st serie, see tab.42[T4]
2	GU01747280	Hoofdzakelijke bekabeling	1	
3	GU01704501	Accu 12V-13A	1	
3	GU02704550	Accu 12V-11Ah	1	
4	GU14102600	Elastiek bevestiging	1	
5	GU29579460	Kleefpakking	1	
6	GU28707050	Accukast	1	
7	GU01418230	Frame	1	
8	GU98084314	Zeskantbout	4	
9	GU95008206	Sluitring 6,15x11x0,8	4	
10	GU19705900	Buffer	2	
11	GU01748431	Bekabeling accu-startmotor	1	Technical Specifications: Coupled vith SPARK500E battery[T5]
11	GU01748491	Bekabeling accu-startmotor	1	Technical Specifications: Coupled vith YUASA battery[T6]
12	GU03707140	Kapje	2	
13	GU01747991	Bekabeling massa-accu	1	Technical Specifications: Coupled vith YUASA battery[T6]
13	GU02747901	Bekabeling massa-accu	1	Technical Specifications: Coupled vith SPARK500E battery[T5]
14	GU01743030	Zekeringendoos	1	
15	GU28742558	Zekering 5A	3	
15	GU28742559	Zekering 10A	1	
15	GU28742560	Zekering 15A	3	
15	GU28742562	Zekering 30A	1	
16	GU01945060	Decalco schema zekeringen	1	
17	GU98230515	Bout	2	
18	GU01746630	Huls	2	

Groep	FRAME
Code	33.45
Beschrijving	Electrical system
Revisie	1



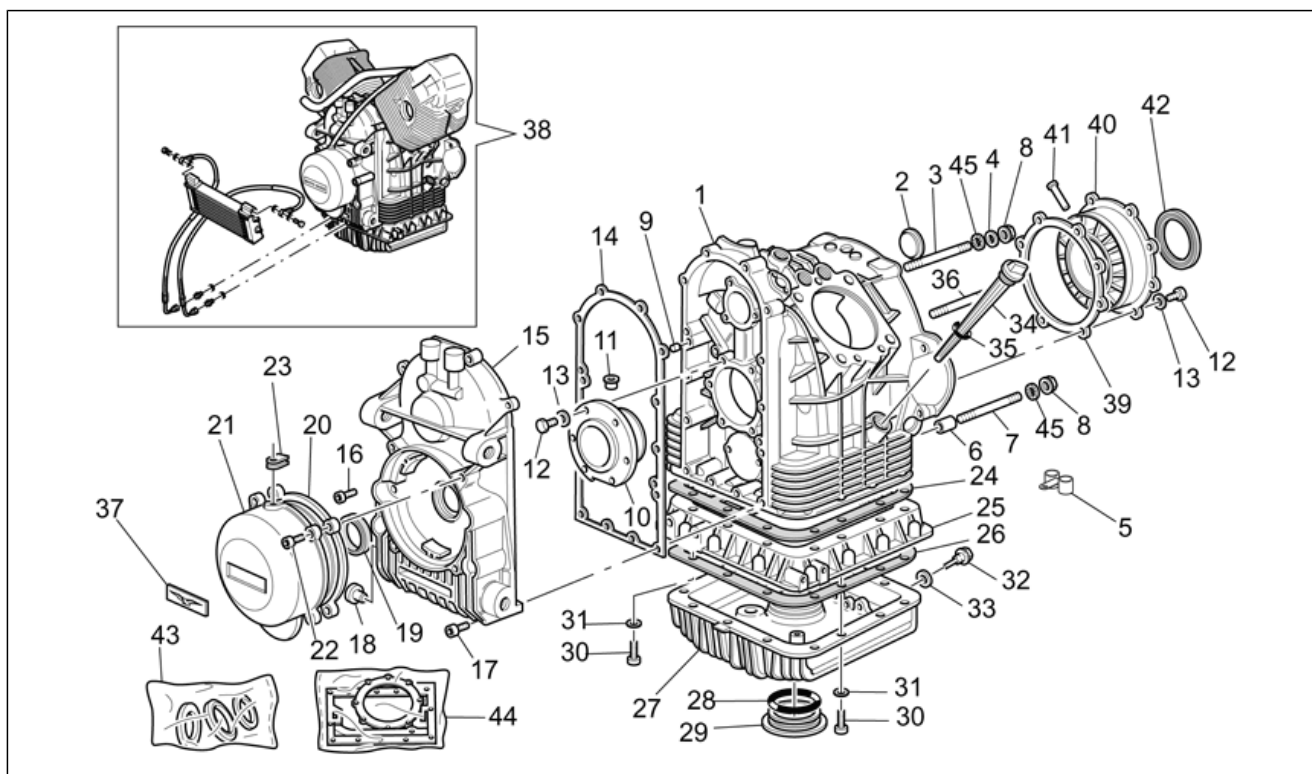
Pos.	Code	Beschrijving	Aant.	Varianten
19	GU91551086	Rubbetje	2	
20	AP8124235	Intermitterend	1	
21	GU93304390	Klemmetje 3,6x375	4	
22	GU01732560	Microsch.siemens A1001A402	2	
23	GU01731760	Relais schak.siemens A1001A403	1	
24	GU14609650	Klemmetje 3,6x20,5	50	
25	GU01757680	Kabel adapter	1	

Groep	ENGINE
Code	34.01
Beschrijving	Crank-case
Revisie	1



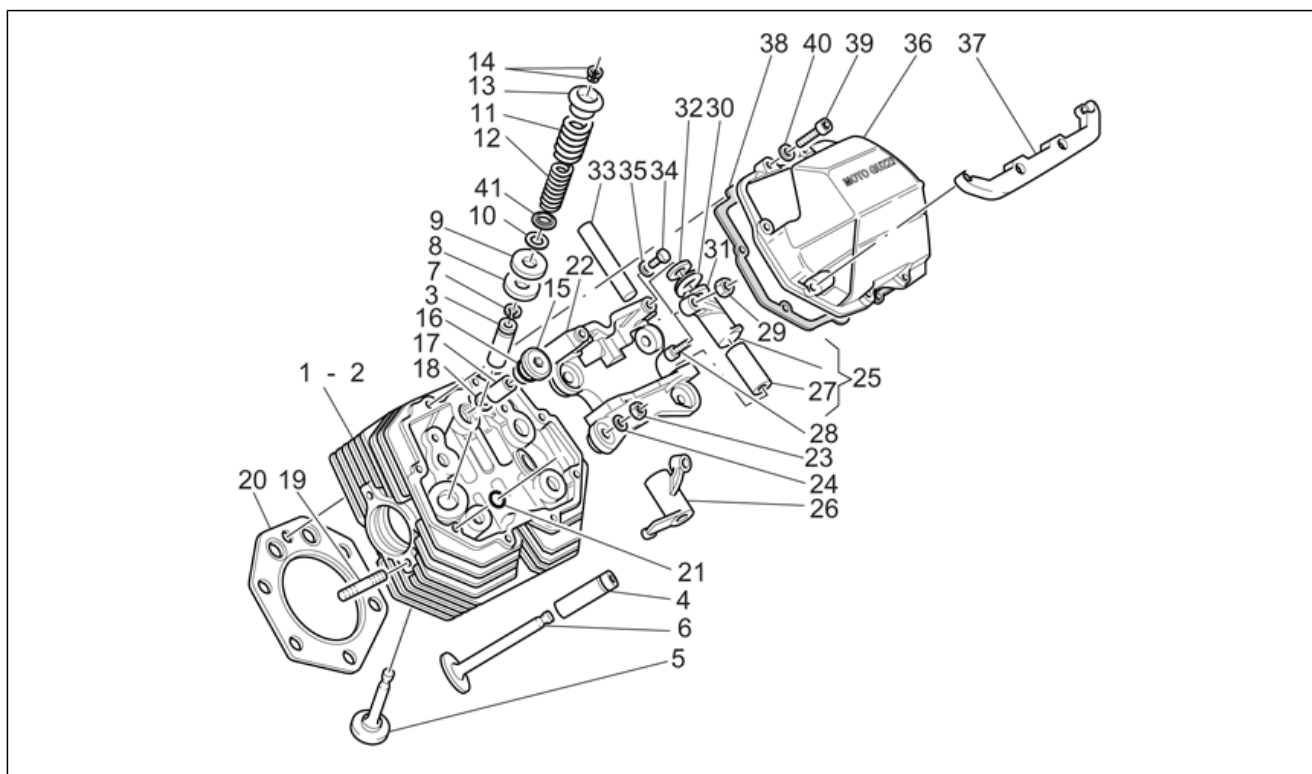
Pos.	Code	Beschrijving	Aant.	Varianten
1	GU01000790	Onderstel motor zwart	1	
2	GU12003900	Schijf	1	
3	GU96508066	Stiftbout M8X66	2	
4	GU95008208	Sluitring 8,4X15X1,5	2	
5	GU01424630	Steun	1	
6	GU12018900	Geleiderhuls	2	
7	GU96508075	Stiftbout M8x75	2	
8	GU92660021	Moer geflenst M8	6	
9	GU95512081	Plug	2	
10	GU14011900	Flens cpl.	1	
10	GU14011901	Flens min.0,2 mm	1	
11	GU12012200	Plug	1	
12	GU98084425	Zeskantbout M8x25	14	
13	GU61270300	Elastische sluitring 8x15x0,3	14	
14	GU05001230	Pakking bedekking	1	
15	GU01001490	Bedekking distr. zwart	1	
16	GU98682325	Binnenzeskantbout M6x25	8	
17	GU98680335	Binnenzeskantbout M6x35	6	
18	GU30002100	Dop	1	
19	GU90402840	Dichtingsring 28x38x7	1	
20	GU18001150	Flens	1	
21	GU01001630	Bedekking generator grijs	1	Technical Specifications:V11 SPORT BALLABIO[B.]
21	GU01001680	Bedekking generator zwart	1	Technical Specifications:V11 Coppa Italia[C.I.], V11 Cafè Sport[C.S.], V11 Scura R[S.R.]
22	GU98310631	Bout	4	
23	GU19007700	Rubbetje	1	
24	GU01003650	Pakking flens	1	
25	GU01003290	Flens zwart	1	

Groep	ENGINE
Code	34.01
Beschrijving	Crank-case
Revisie	1



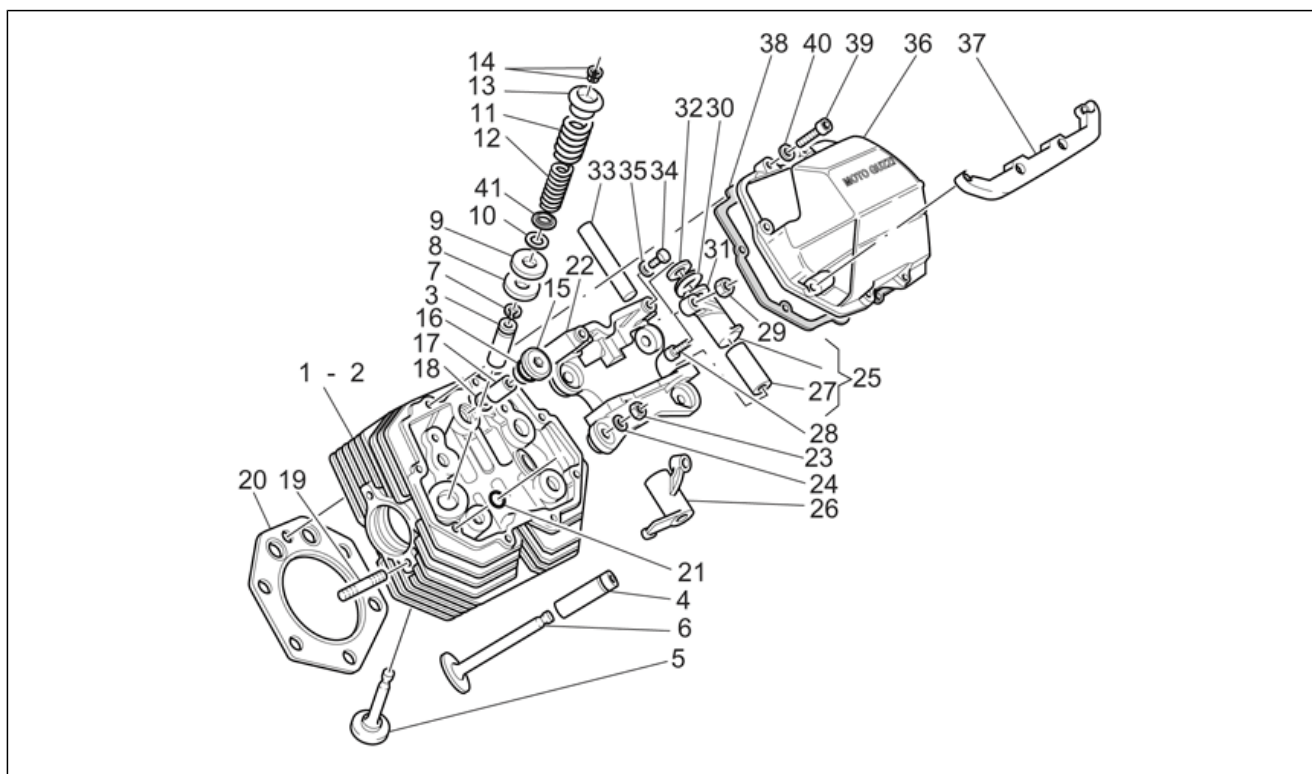
Pos.	Code	Beschrijving	Aant.	Varianten
26	GU01003600	Pakking	1	
27	GU01003590	Oliecarter motor grijs	1	
28	GU90706948	OR-ring	1	
29	GU01003400	Bedekking	1	
30	GU98682322	Binnenkantbout M6x22	28	
31	GU95008206	Sluitring 6,15x11x0,8	28	
32	GU31003766	Afvoerdop olie M10x1	1	
33	GU10528900	Pakking in aluminium	1	
34	GU01004900	Dop oliepeil	1	
35	GU90706178	OR-ring 17,86X2,62	1	
36	GU96508051	Stiftbout	2	
37	GU02517700	Kleefetiket	1	
38	GU01991080	Motor cpl.zwart	1	Technical Specifications: V11 Coppa Italia[C.I.], V11 Cafè Sport[C.S.]
38	GU01991084	Motor cpl.zwart	1	Technical Specifications: V11 Scura R[S.R.]
38	GU01991091	Motor cpl.zwart	1	Technical Specifications: V11 SPORT BALLABIO[B.]
39	GU12011800	Pakking flens	1	
40	GU12011400	Flens cpl.	1	
40	GU12011401	Flens min.0,2 mm	1	
40	GU12011402	Flens min.0,4 mm	1	
40	GU12011403	Flens min.0,6 mm	1	
41	GU12011700	Plug	1	
42	GU90405367	Dichtingsring	1	
43	GU01999030	Kit pakkingen versn.bak/trans.	1	
44	GU01999530	Kit oliekeerringen versn.bak/trans.	1	
45	GU14615901	Sluitring 8,4X13X0,8	6	

Groep	ENGINE
Code	34.02
Beschrijving	Cylinder head and valves
Revisie	1



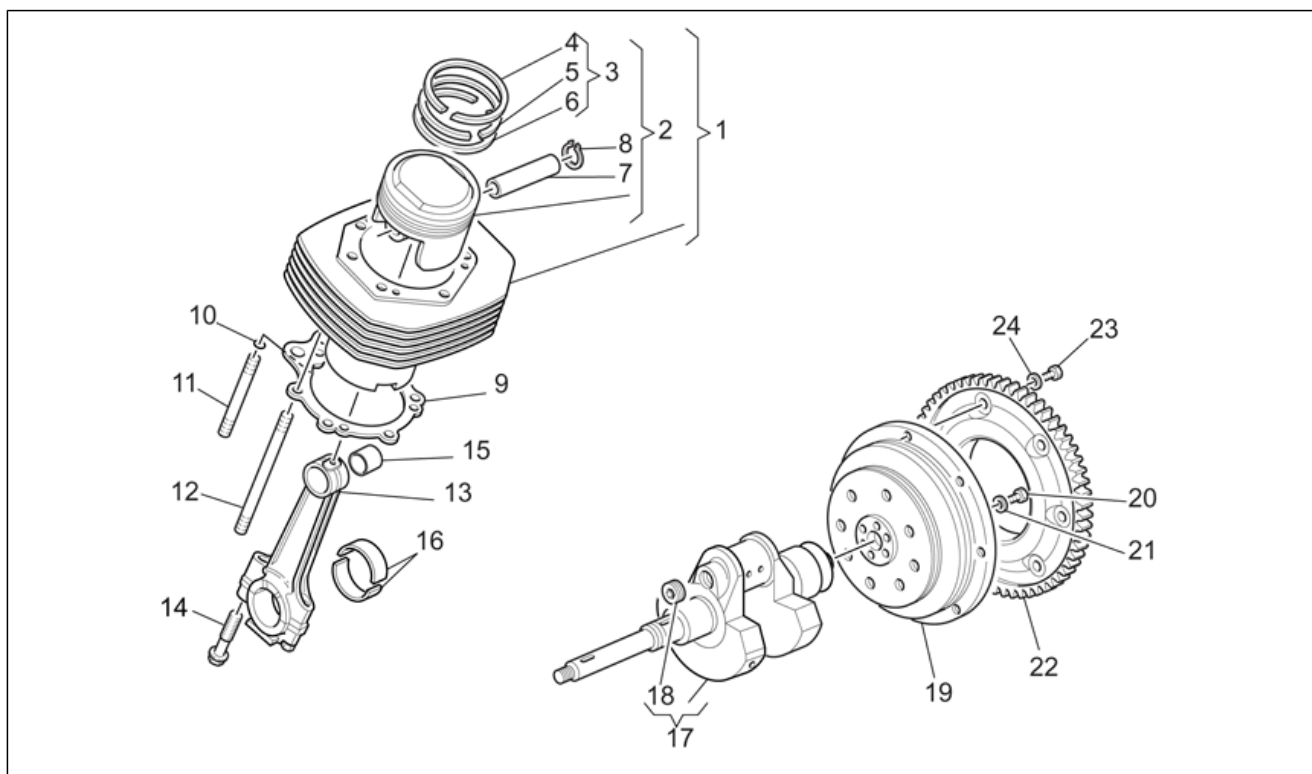
Pos.	Code	Beschrijving	Aant.	Varianten
1	GU01022130	Kop cilinder re cpl.	1	
2	GU01022230	Kop cilinder li cpl.	1	
3	GU13036801	Klepgeleider uitl.	2	
4	GU14036860	Klepgeleider aanz.	2	
5	GU37036105	Klep uitl.	2	
6	GU37036005	Klep aanz.	2	
7	GU90353016	Elastische ring	4	
8	GU13037200	Sluitring 14,2x31x1	4	
9	GU14037300	Sluitring 14,2x31x0,3	10	
10	GU01038730	Sluitring voor schijf	2	
11	GU37037405	Veer ext.	4	
12	GU37037605	Veer int.	4	
13	GU37038005	Schijf bov.	4	
14	GU12038100	Halfconus klep	8	
15	GU12022600	Oliedop	2	
16	GU90706203	OR-ring 20,24X2,62	2	
17	GU13021900	Kolomv. moer	2	
18	GU95129180	Sluitring 10,5X18X0,8	2	
19	GU96508040	Stiftbout	4	
20	GU30022060	Pakking	2	
21	GU90706094	OR-ring 9x2	8	
22	GU14034865	Steun balanceringen	2	
23	GU92603010	Moer M10X1,5	10	
24	GU14018400	Sluitring 10,5X21X1	10	
25	GU14030201	Balanceringen cpl.re	2	
26	GU14030401	Balanceringen cpl.li	2	
27	GU91111511	Bus 15x18x43	4	
28	GU17034050	Registerbout	4	

Groep	ENGINE
Code	34.02
Beschrijving	Cylinder head and valves
Revisie	1



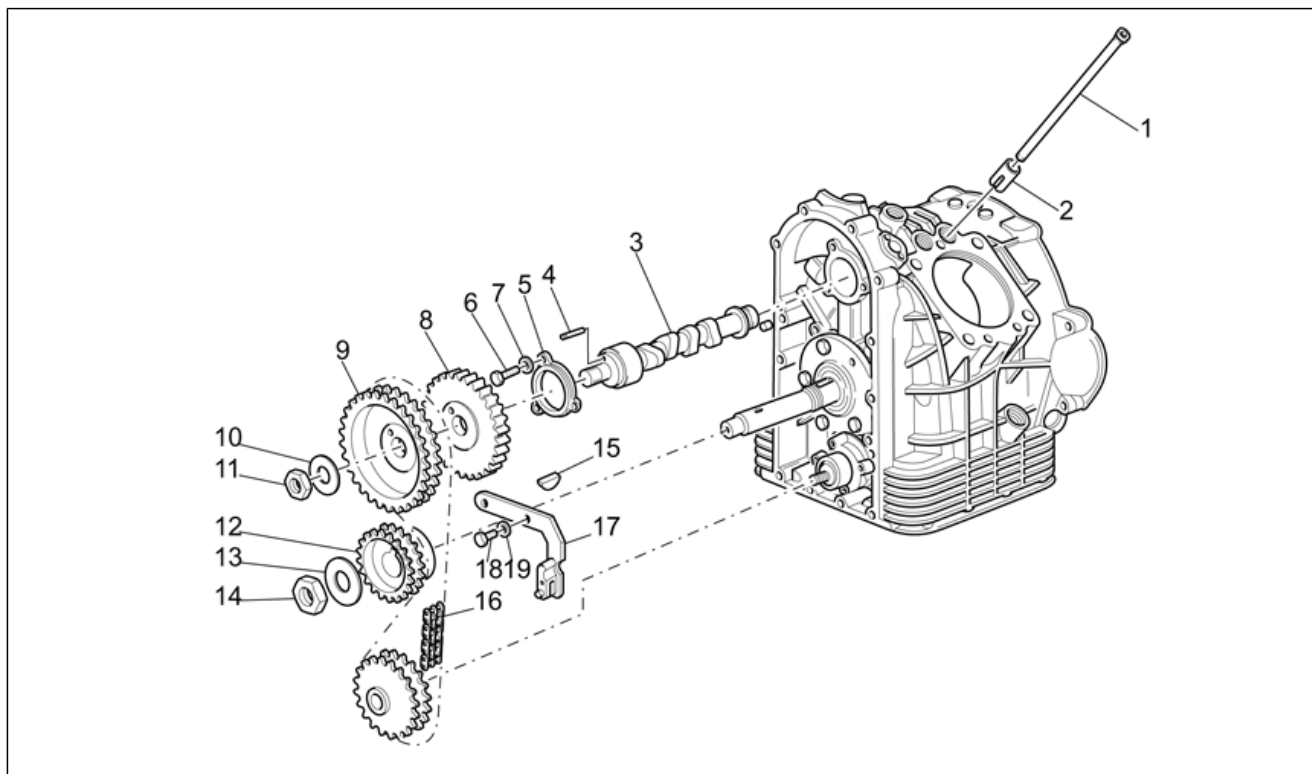
Pos.	Code	Beschrijving	Aant.	Varianten
29	GU10034100	Moer	4	
30	GU94322215	Veer	4	
31	GU90118152	Sluitring 15,2x26x1	8	
32	GU10032700	Sluitring 15,2x26x0,5	4	
33	GU12031800	Pin balancering	4	
34	GU98084316	Zeskantbout	4	
35	GU95120065	Sluitring 6,5x11x2	4	
36	GU01023560	Bedekking kop grijs	2	Technical Specifications: V11 SPORT BALLABIO[B.], V11 Scura R[S.R.]
36	GU01023580	Bedekking kop bruin	2	Technical Specifications: V11 Coppa Italia[C.I.], V11 Cafè Sport[C.S.]
37	GU01941030	Bescherming bougie grijs	2	Technical Specifications: V11 SPORT BALLABIO[B.]
37	GU01941075	Bescherming bougie zwart	2	Technical Specifications: V11 Coppa Italia[C.I.], V11 Cafè Sport[C.S.], V11 Scura R[S.R.]
38	GU14023760	Pakking bedekking	2	
39	GU98682325	Binnenzeskantbout M6x25	16	
40	GU95008206	Sluitring 6,15x11x0,8	16	
41	GU01037030	Schijf ond. 14,2x32x5	2	

Groep	ENGINE
Code	34.03
Beschrijving	Crankshaft cpl.
Revisie	1



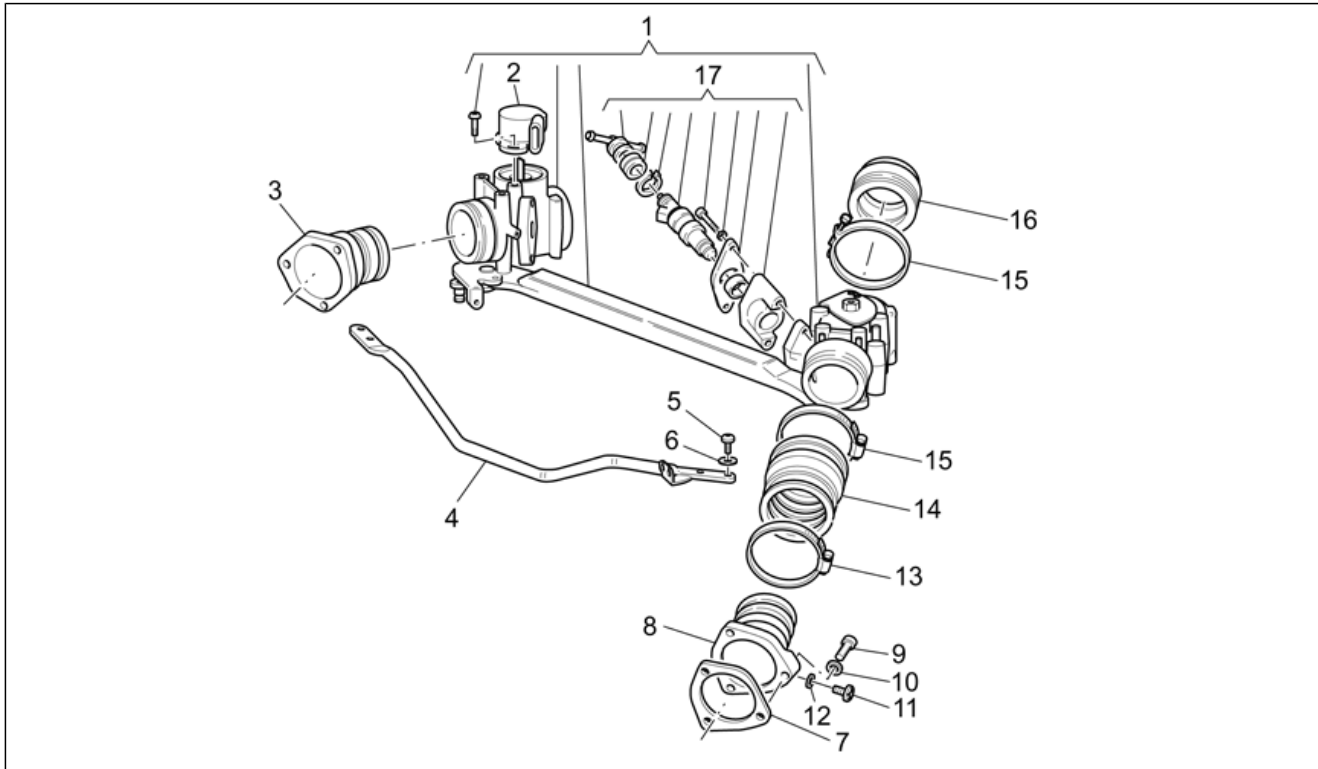
Pos.	Code	Beschrijving	Aant.	Varianten
1	GU01060190	Cilinder met zuiger cpl.	2	
2	GU01060231	Zuiger cpl.	2	
3	GU30060660	Kit elastische banden	2	
4	GU30060760	Elast. band bov.	2	
5	GU30060960	Elastische tussenband	2	
6	GU30061060	Elast. band olieschraap	2	
7	GU30061241	Zuigerpen	2	
8	GU90351038	Blokkeerring	4	
9	GU14020865	Pakking	2	
10	GU90706094	OR-ring 9x2	4	
11	GU12021800	Stiftbout	4	
12	GU12021700	Stiftbout	8	
13	GU01061532	Drijfstang cpl.	2	
14	GU01062230	Bout drijfstang	4	
15	GU91112128	Bus	2	
16	GU01062030	Halfdop kussenblok	4	
16	GU01062031	Halfdop kussenblok min.0,254	4	
16	GU01062032	Halfdop kussenblok min.0,508	4	
16	GU01062033	Halfdop kussenblok min.0,762	4	
17	GU01064131	Drijfjas cpl.	1	
18	GU37065405	Dop	1	
19	GU04067000	Vliegwiel cpl.	1	
20	GU12067701	Bout	6	
21	GU14615901	Sluitring 8,4X13X0,8	6	
22	GU01067930	Kroon	1	
23	GU37067705	Bout	8	
24	GU14217901	Gekart. sluitring 6,4x10x0,7	8	

Groep	ENGINE
Code	34.04
Beschrijving	Timing system
Revisie	1



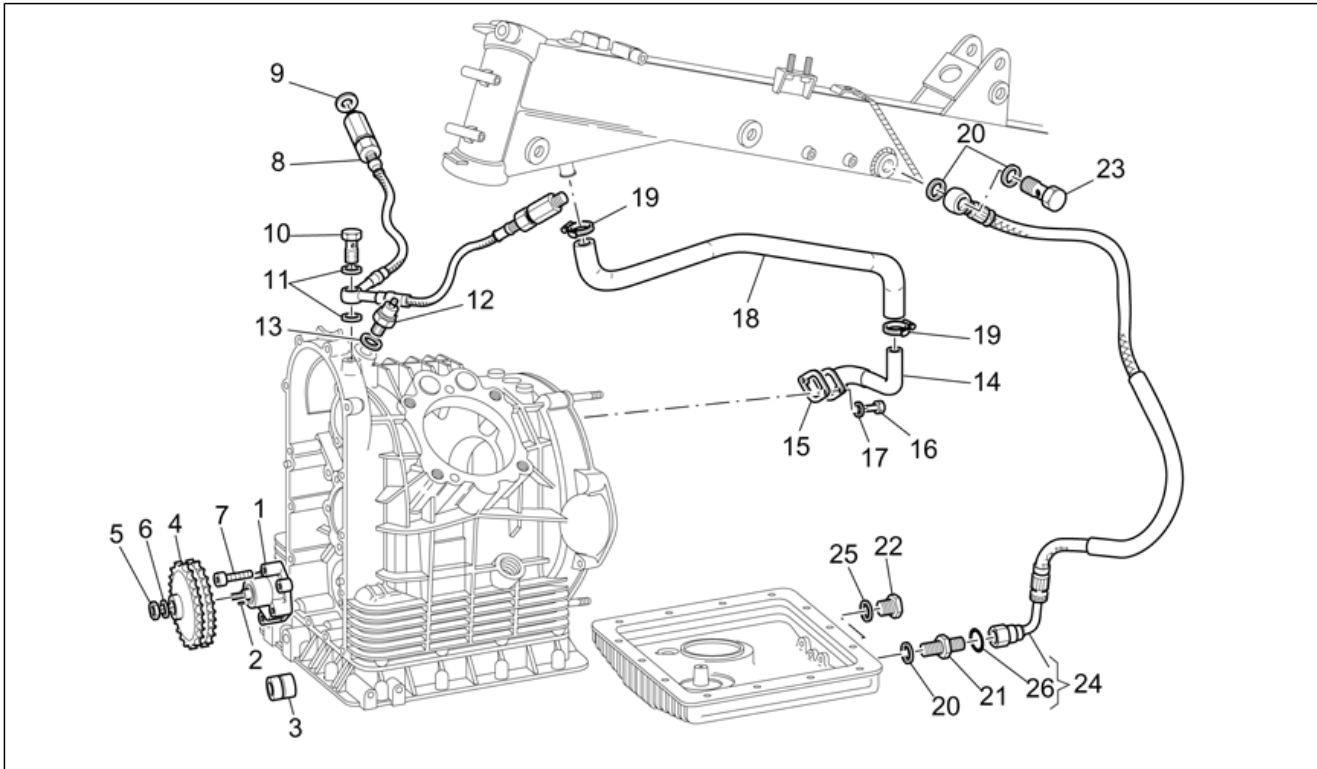
Pos.	Code	Beschrijving	Aant.	Varianten
1	GU37045006	Staaft balanceringen	4	
2	GU17045860	Kleplicht.	4	
3	GU37053305	Nokkenas	1	
4	GU14234600	Plug	1	
5	GU01054000	Flens	1	
6	GU98084320	Zeskantbout M6x20	3	
7	GU95120065	Sluitring 6,5x11x2	3	
8	GU01051730	Geluidswiel	1	
9	GU01054500	Raderw.distrib.	1	
10	GU14433400	Elastische sluitring 19x34x1,5	1	
11	GU92750180	Moer M18	1	
12	GU14072001	Rondsel	1	
13	GU95100837	Sluitring 25,5x35x2	1	
14	GU92602525	Moer M25	1	
15	GU91702355	Sluitwig	1	
16	GU28058060	Ketting	1	
17	GU30057810	Kettingspanner	1	
18	GU98082435	Zeskantbout M8x35	2	
19	GU61270300	Elastische sluitring 8x15x0,3	2	

Groep	ENGINE
Code	34.07
Beschrijving	Throttle body
Revisie	1



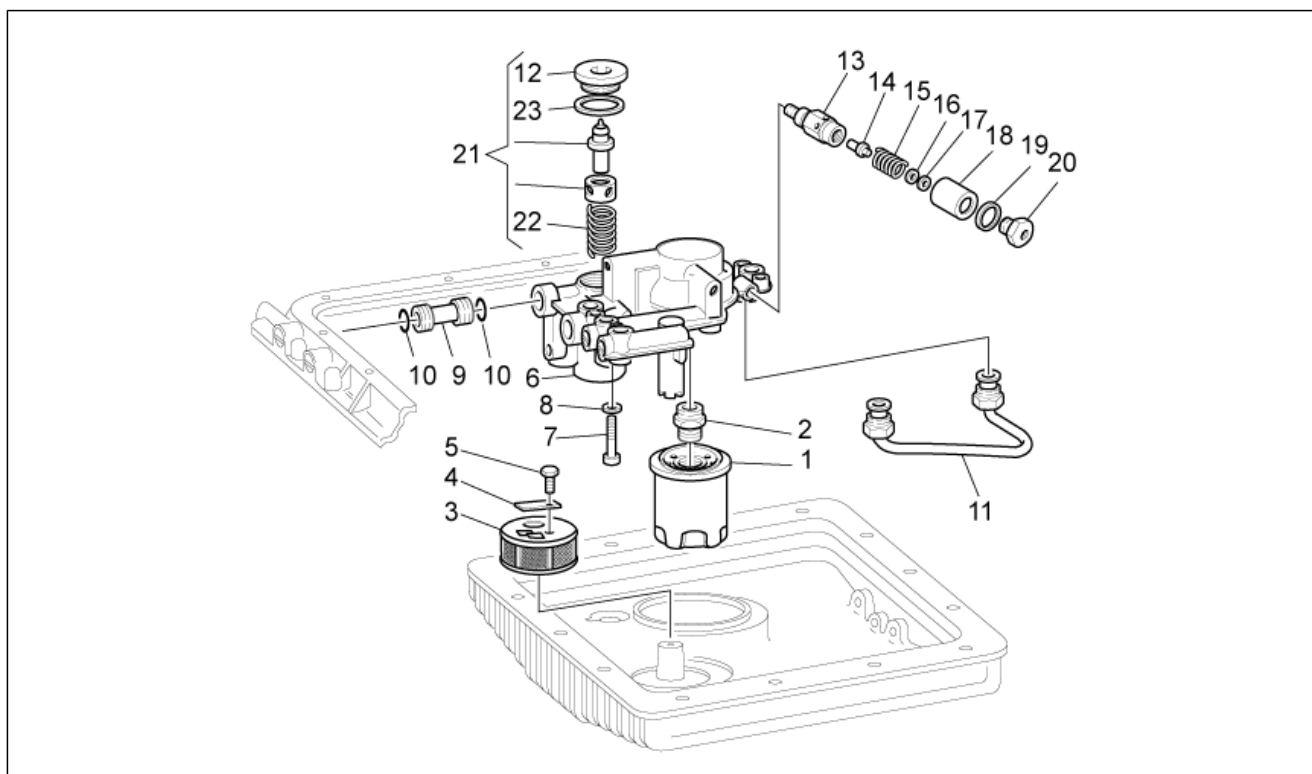
Pos.	Code	Beschrijving	Aant.	Varianten
1	GU01112590	Groep smoorklepuizen	1	
2	GU01530500	Potentiometer	1	
3	GU01115000	Pijp aanz. re	1	
4	GU01110590	Steun	1	
5	GU98350210	Bolbout met binnenzeskant	4	
6	GU29217960	Sluitring 5,9X3X0,8	4	
7	GU28115560	Pakking	2	
8	GU01115001	Pijp aanz. li	1	
9	GU98682325	Binnenzeskantbout M6x25	6	
10	GU95008206	Sluitring 6,15x11x0,8	6	
11	GU98310609	Bout M6x10	2	
12	GU95100116	Sluitring 6,25x10x1,5	2	
13	GU93305057	Klemmetje 57x59,5x10	2	
14	GU01114390	Mof	2	
15	GU93305061	Klemmetje 61/65,5	4	
16	GU01114500	Mof	2	
17	GU01530504	Injector cpl.	2	

Groep	ENGINE
Code	34.11
Beschrijving	Supply - Oil pump
Revisie	1



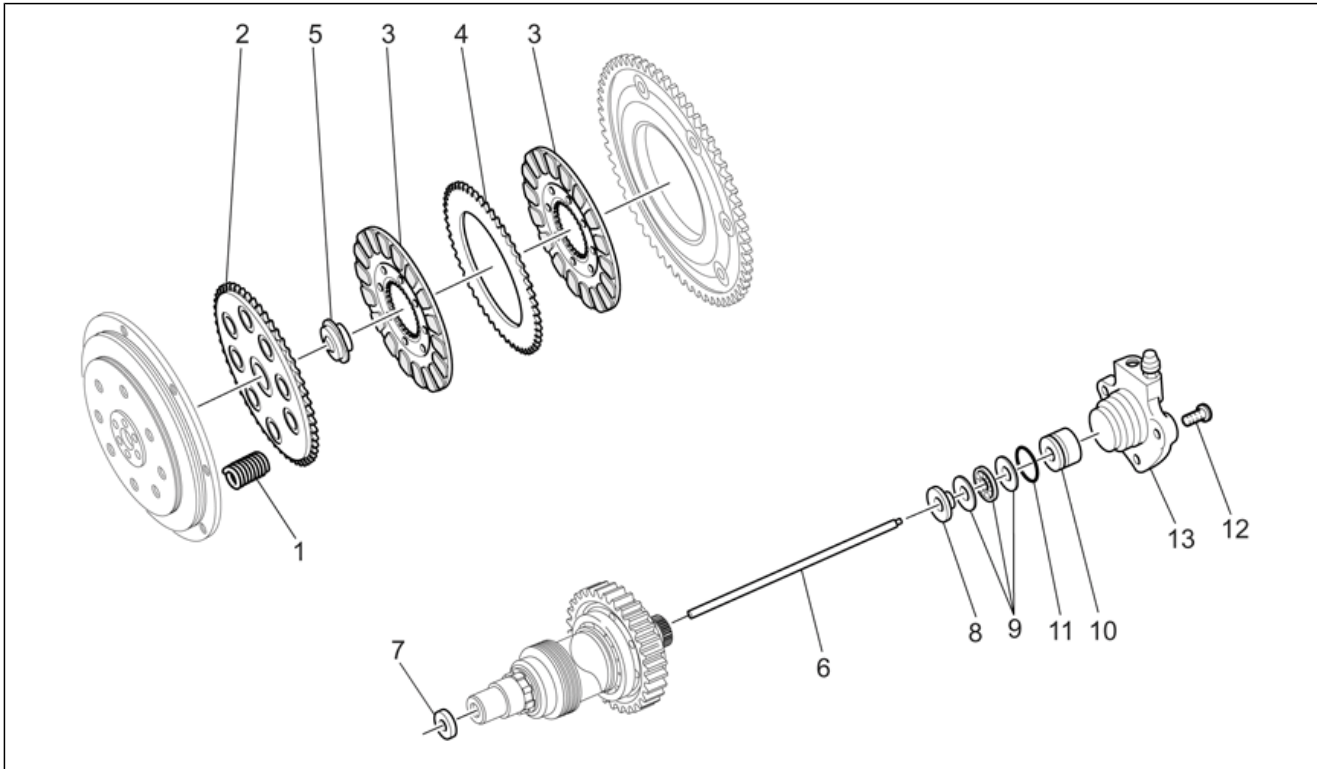
Pos.	Code	Beschrijving	Aant.	Varianten
1	GU30146400	Oliepomp	1	
2	GU13148300	Sluitwig	1	
3	GU92252210	Rollager 10x22x20	1	
4	GU30147700	Raderw.oliepomp	1	
5	GU92602308	Moer	1	
6	GU95120085	Elastische sluitring	1	
7	GU98682430	Binnenzeskantbout M8x30	4	
8	GU01153602	Leiding olietoevoer	1	
9	GU25656102	Pakking in aluminium	2	
10	GU95990037	Bout	1	
11	GU12154200	Pakking 8,25x15x1	2	
12	GU17768750	Sensor oliedruk	1	
13	GU12006400	Pakking in aluminium 12,25	2	
14	GU01007200	Ontluchttingsbuis	1	
15	GU12007600	Pakking	1	
16	GU98084320	Zeskantbout M6x20	2	
17	GU95120065	Sluitring 6,5x11x2	2	
18	GU30157400	Ontluchttingsbuis	1	
19	GU93306018	Klemmetje 17X29X8	2	
20	GU01154230	Pakking in aluminium	5	
21	GU01161331	Reductie	1	
22	GU95980216	Dop	1	
23	GU95990084	Geperfor. bout	1	
24	GU01154631	Buis circul.	1	
25	GU10154200	Pakking	1	
26	GU90706010	OR-ring	2	

Groep	ENGINE
Code	34.12
Beschrijving	Oil filters
Revisie	1



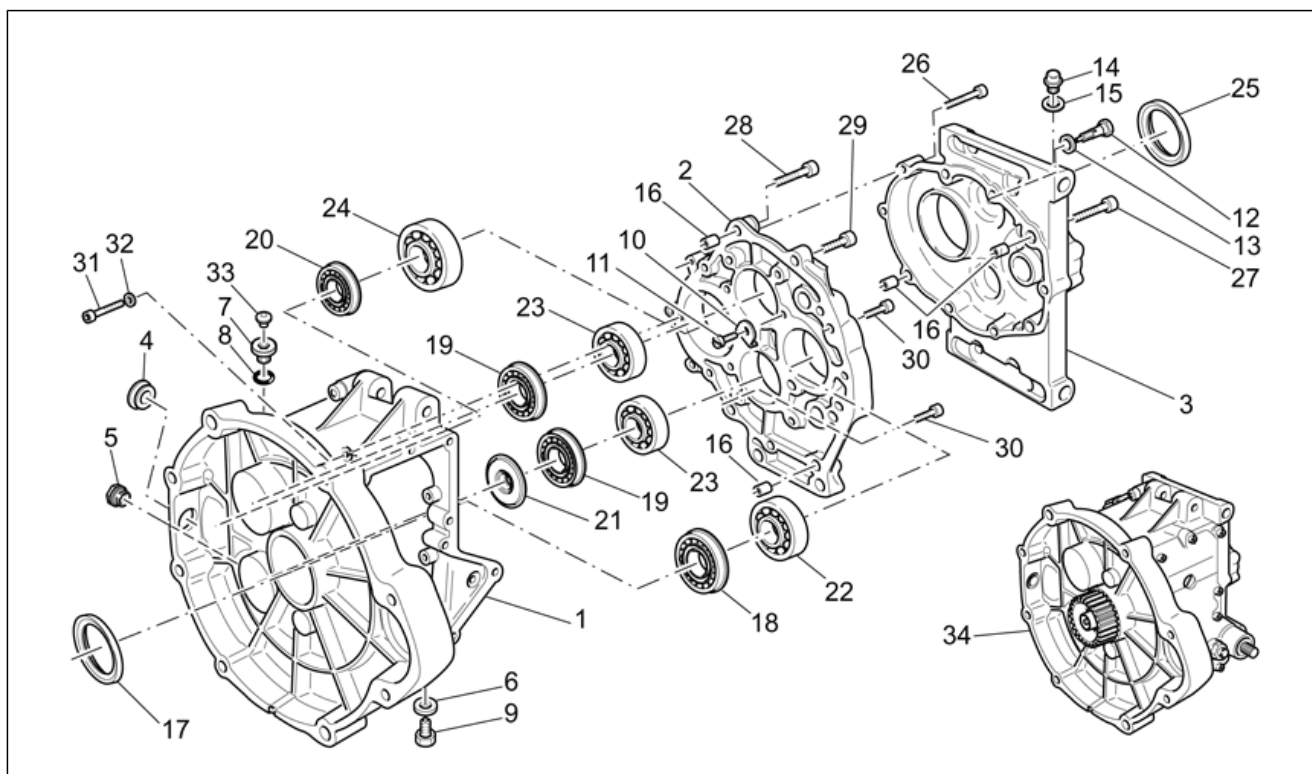
Pos.	Code	Beschrijving	Aant.	Varianten
1	GU30153000	Oliefilter	1	
2	GU30003800	Verbinding oliefilter	1	
3	GU01152200	Oliefilter	1	
4	GU95187006	Plaatje	1	
5	GU98084316	Zeskantbout	1	
6	GU01003800	Steun	1	
7	GU98680335	Binnenzeskantbout M6x35	4	
8	GU95008206	Sluitring 6,15x11x0,8	4	
9	GU01005500	Verbindingsbuis	2	
10	GU90706140	O-ring 13,95x2,92	4	
11	GU01005701	Buis	1	
12	GU01163600	Dop	1	
13	GU30158701	Romp klep	1	
14	GU30150900	Zuigertje	1	
15	GU94321079	Veer	1	
16	GU95008206	Sluitring 6,15x11x0,8	2	
17	GU30158900	Sluitring	1	
18	GU30158800	Plaatje	1	
19	GU18144350	Sluitring 18,25x24x1	2	
20	GU30159000	Dop	1	
21	GU01163500	Thermostaat cpl.	1	
22	GU20164010	Veer	1	
23	GU01163700	Pakking in koper	1	

Groep	ENGINE
Code	34.13
Beschrijving	Clutch
Revisie	1



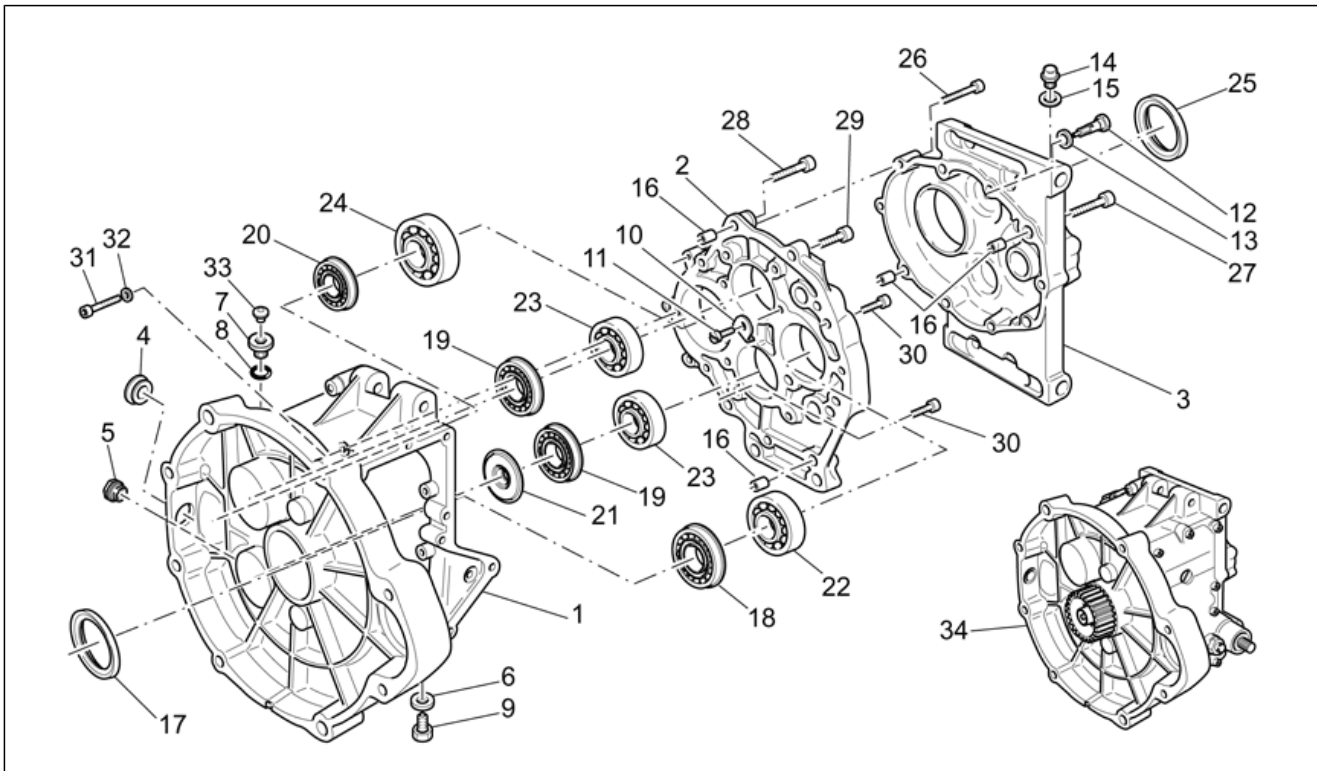
Pos.	Code	Beschrijving	Aant.	Varianten
1	GU04084100	Veer koppeling	10	
2	GU30082900	Schijf	1	
3	GU03084400	Koppelingsschijf cpl.	2	
4	GU12082300	Koppelingsschijf int.	1	
5	GU04082800	Plaatje	1	
6	GU01085730	Staaf	1	
7	GU90400816	Dichtingsring 8X16X7	1	
8	GU04086000	Schijf	1	
9	GU12087001	Lager drukst.	1	
10	GU04086100	Drukcilinder	1	
11	GU90706170	O-ring 17,13x2,62	1	
12	GU98257618	Bout	3	
13	GU01086330	Cilinder commando koppeling	1	

Groep	ENGINE
Code	34.14
Beschrijving	Transmission cage
Revisie	1



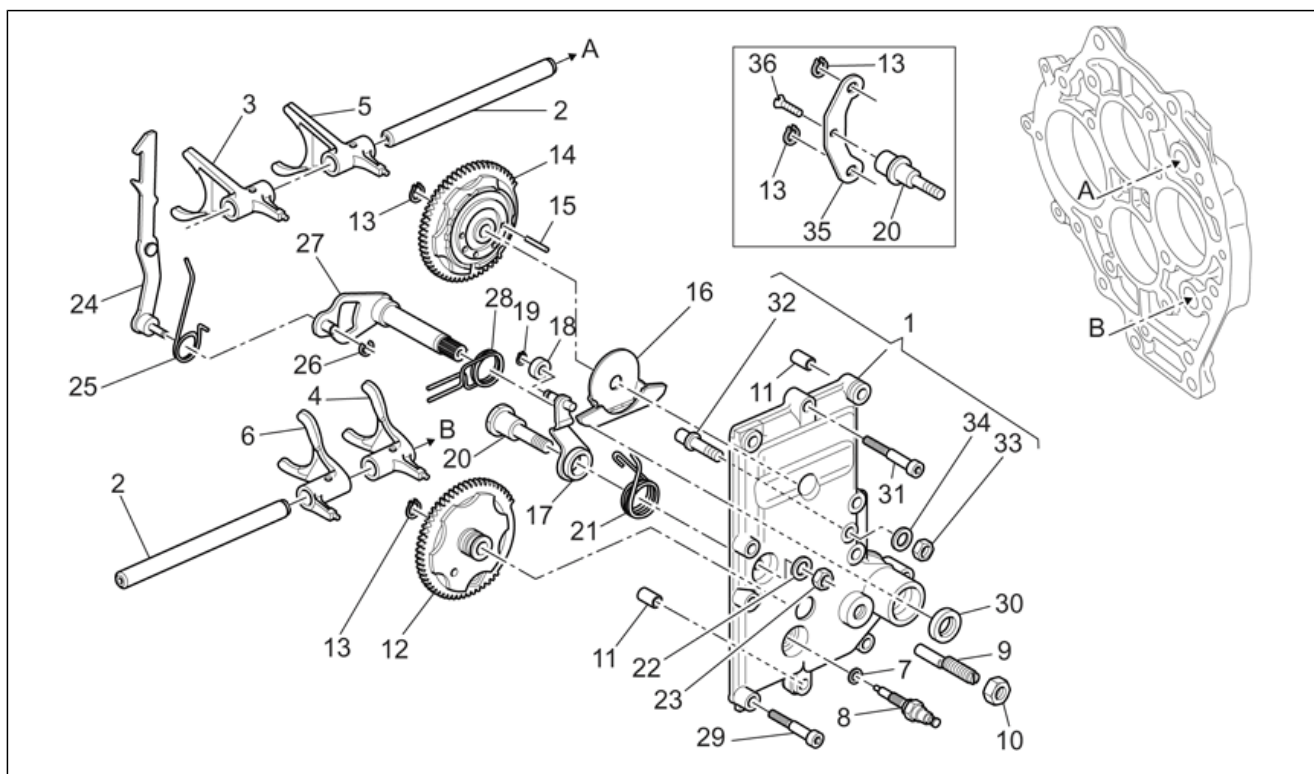
Pos.	Code	Beschrijving	Aant.	Varianten
1	GU01200290	Doos versn.bak zwart	1	
2	GU01200890	Bedekking doos zwart	1	
3	GU01201390	Bedekking zwart	1	
4	GU93180220	Dop	1	
5	GU01205730	Dop oliepeil	1	
6	GU01528930	Pakking 10x18x1,5	1	
7	GU12022600	Oliedop	1	
8	GU90706203	OR-ring 20,24X2,62	1	
9	GU31003766	Afvoerdop olie M10x1	1	
10	GU04205500	Plaatje	4	
11	GU98280620	Bout	4	
12	GU04239400	Geperfor. bout	1	
13	GU12006400	Pakking in aluminium 12,25	1	
14	GU19206501	Dop ontluchting	1	
15	GU10528900	Pakking in aluminium	1	
16	GU19015020	Bus	4	
17	GU90404059	Dichtingsring 40x56x8/7	1	
18	GU92234730	Rollager 30x62x16	1	
19	GU92234720	Rollager 20x52x15	2	
20	GU92234017	Rollager 17x40x12	1	
21	GU04205100	Schijf	2	
22	GU92201423	Kogellager 20x52x17	1	
23	GU92201225	Lager 25x52x15	2	
24	GU92201141	Kogellager 40x68x15	1	
25	GU90404255	Dichtingsring 42x56x7	1	
26	GU98680340	Binnenzeskantbout	5	
26	GU98680345	Binnenzeskantbout	1	
27	GU98680445	Binnenzeskantbout	3	

Groep	ENGINE
Code	34.14
Beschrijving	Transmission cage
Revisie	1



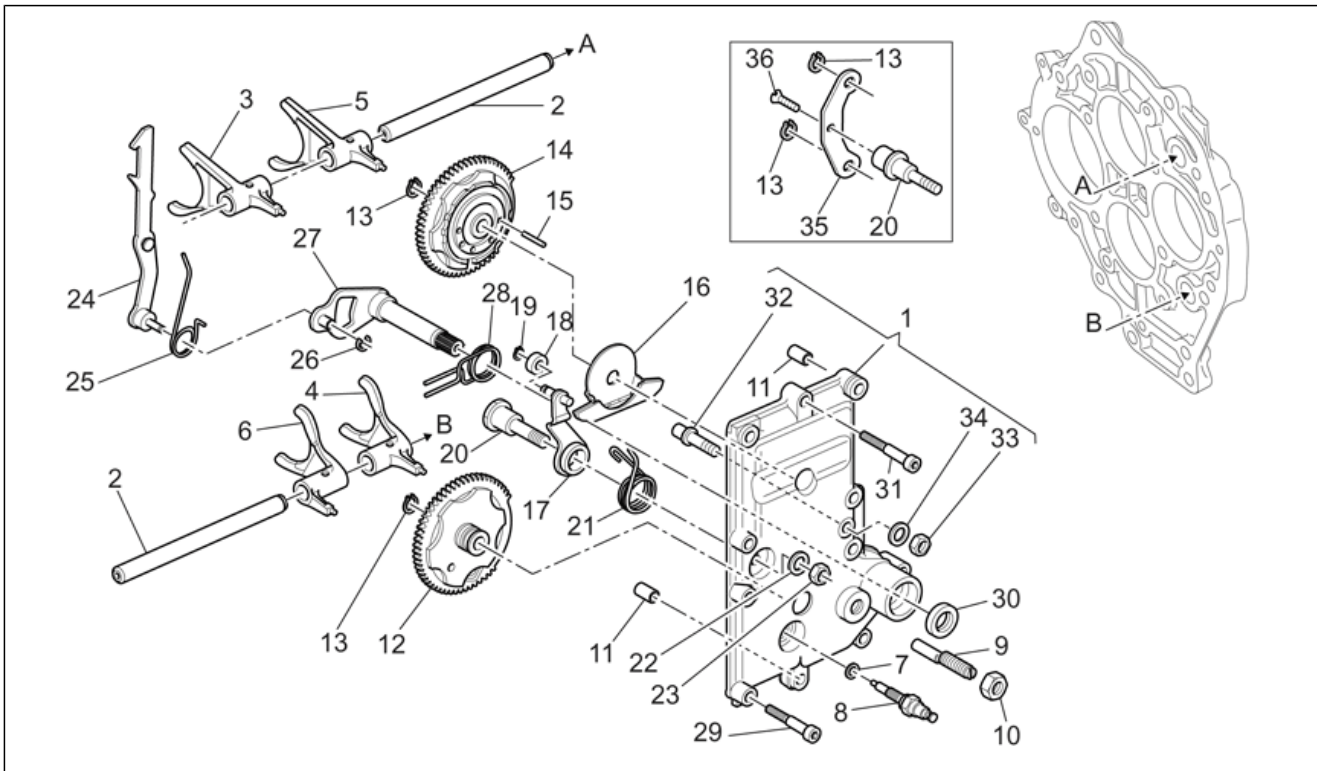
Pos.	Code	Beschrijving	Aant.	Varianten
28	GU98680440	Binnenzeskantbout M8x40	3	
29	GU98680435	Binnenzeskantbout M8x35	1	
29	GU98682430	Binnenzeskantbout M8x30	1	
30	GU98682330	Binnenzeskantbout	6	
31	GU98680335	Binnenzeskantbout M6x35	1	
32	GU95008306	Sluitring 6,4x12x1,2	1	
33	GU93180245	Dop	1	
34	GU01991590	Versn.bak cpl.zwart	1	

Groep	ENGINE
Code	34.15
Beschrijving	Gear box selector
Revisie	1



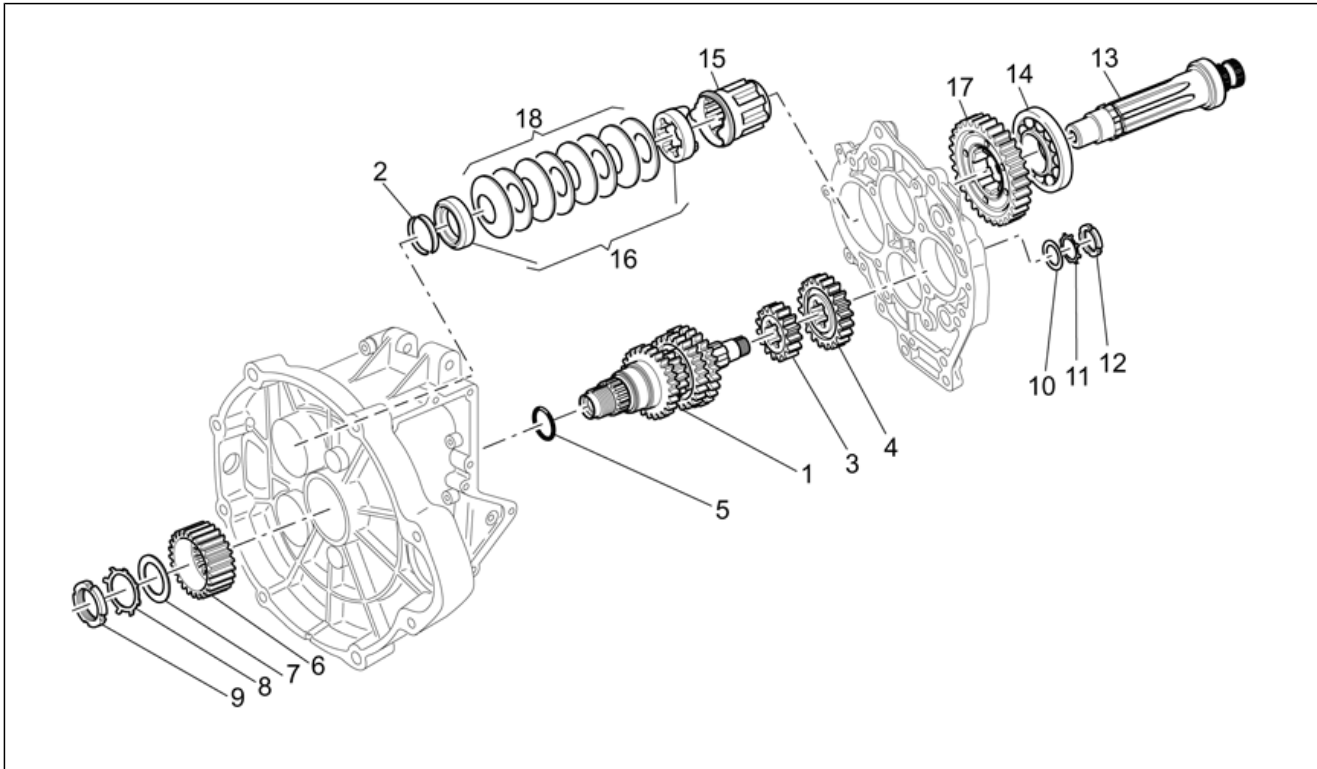
Pos.	Code	Beschrijving	Aant.	Varianten
1	GU01201690	Zijbedekking zwart	1	Technical Specifications: Until gear CS 18492[C1]
1	GU01201691	Zijbedekking zwart	1	Technical Specifications: From gear CS 18493[C2]
2	GU04232400	As vork	2	
3	GU04230500	Vork 1a	1	
4	GU04230800	Vork 2a	1	
5	GU04232600	Vork 3a-5a	1	
6	GU04231200	Vork 4a-6a	1	
7	GU12154200	Pakking 8,25x15x1	2	
8	GU19207220	Sensor vrij	1	
9	GU04237800	Pin excentr.	1	
10	GU92606512	Moer laag M12x1,25	1	
11	GU19002020	Bus 6,6x9x13	2	
12	GU01236930	Keuzeschakelaar 2a-4a-6a	1	
13	GU90271012	Seegerring	4	
14	GU01233630	Keuzeschakelaar 1a-3a-5a	1	
15	GU92296745	Rol	5	
16	GU04237500	Plaatje	1	
17	GU04238600	Hendel	1	
18	GU04234700	Rol	1	
19	GU90271008	Seegerring	1	
20	GU01234660	Pin hendel	1	Technical Specifications: From gear CS 18493[C2]
20	GU04234600	Pin hendel	1	Technical Specifications: Until gear CS 18492[C1]
21	GU04238200	Veer	1	
22	GU95008308	Sluitring	1	
23	GU92606208	Moer M8x1,25	1	
24	GU01235130	Pal	1	
25	GU04238300	Veer	1	
26	GU90280007	Seegerring	1	

Groep	ENGINE
Code	34.15
Beschrijving	Gear box selector
Revisie	1



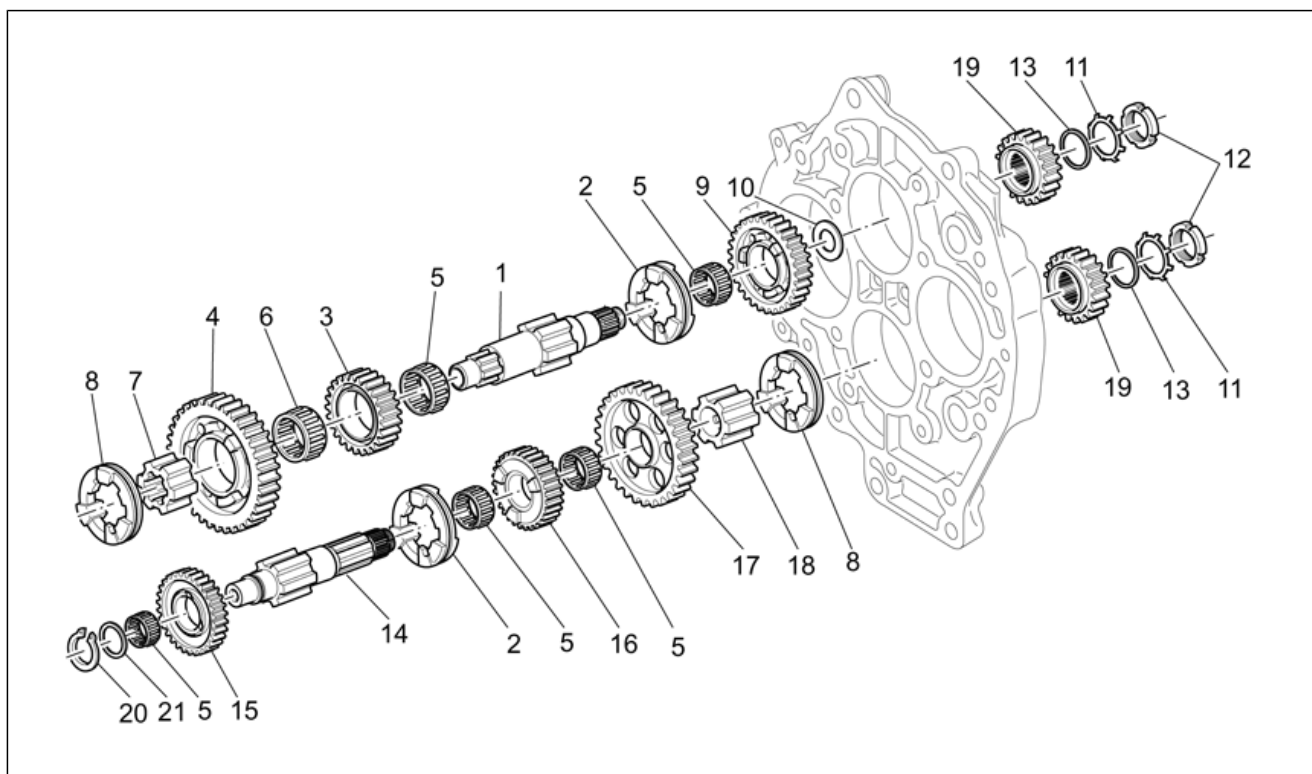
Pos.	Code	Beschrijving	Aant.	Varianten
27	GU01237032	As keuzeschakelaar	1	
28	GU04239200	Veer	1	
29	GU98680330	Binnenzeskantbout M6x30	9	
30	GU90401526	Dichtingsring	1	
31	GU98680335	Binnenzeskantbout M6x35	2	
32	GU01234030	Excentriek regeling	1	
33	GU92606208	Moer M8x1,25	1	
34	GU95008208	Sluitring 8,4X15X1,5	1	
35	GU01236160	Plaat	1	Technical Specifications: From gear CS 18493[C2]
36	GU98280614	Bout M6x14	1	Technical Specifications: From gear CS 18493[C2]

Groep	ENGINE
Code	34.16
Beschrijving	Primary gear shaft
Revisie	1



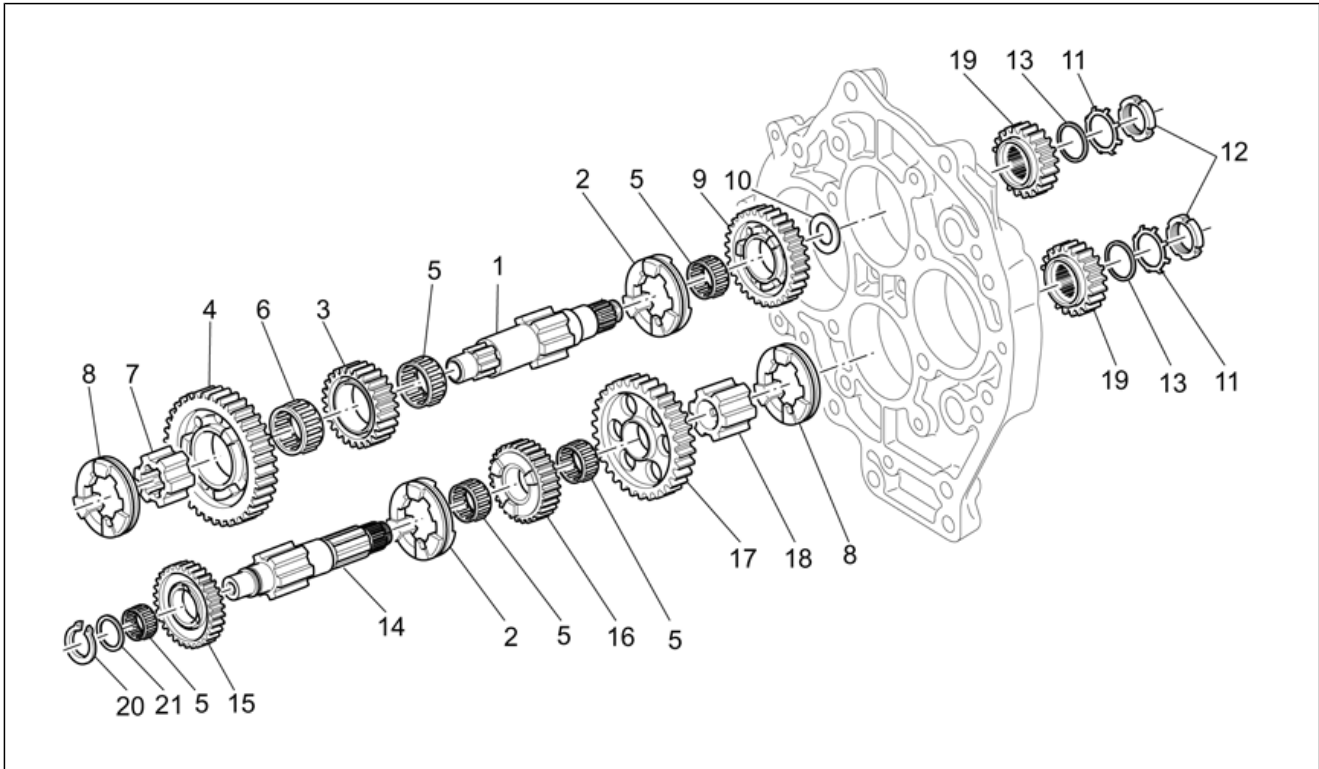
Pos.	Code	Beschrijving	Aant.	Varianten
1	GU04210500	Primaire as cpl.	1	
2	GU12211700	Halfring	2	
3	GU04211300	Raderwerk 2a vel.Z=18	1	
4	GU04211400	Raderwerk 3a vel.Z=22	1	
5	GU90706233	OR-ring	1	
6	GU04211600	Romp int.koppeling	1	
7	GU04212900	Sluitring	1	
8	GU95028025	Sluitring veiligheid	1	
9	GU93601026	Moer	1	
10	GU95004221	Sluitring	1	
11	GU95028020	Sluitring veiligheid	1	
12	GU93601020	Moer	1	
13	GU04218700	Drijfvas	1	
14	GU92201035	Kogellager 35X62X9	1	
15	GU04218900	Mof	1	
16	GU04211201001	Kit mof schokbesch.	1	
17	GU01215630	Raderwerk Z=32	1	
18	GU04211500	Bekerveer	8	

Groep	ENGINE
Code	34.17
Beschrijving	Driven shaft
Revisie	1



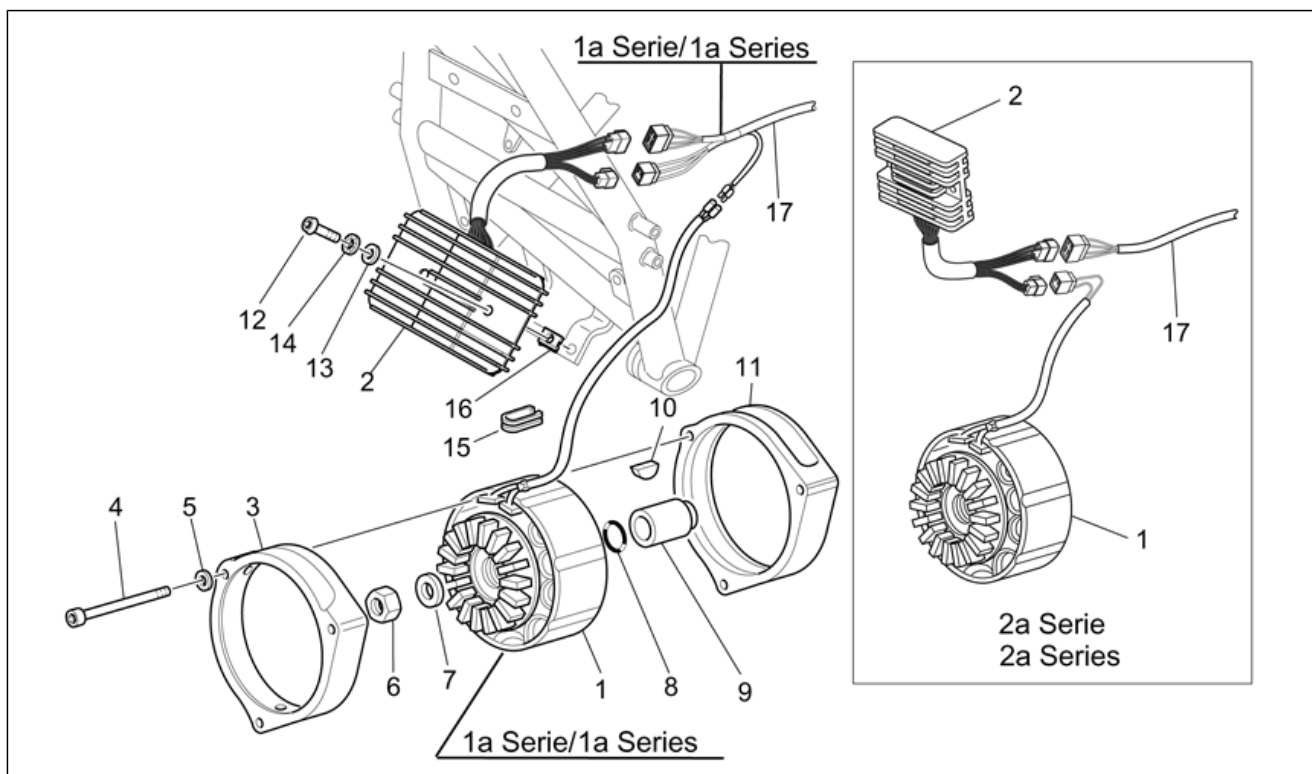
Pos.	Code	Beschrijving	Aant.	Varianten
1	GU04213600	Secundaire as bov.	1	
2	GU01214961	Mof 3a-5a-4a-6a	2	Technical Specifications: From gear CS 25000[C4]
2	GU04214901	Mof 3a-5a-4a-6a	2	Technical Specifications: Until gear CS 24999[C3]
3	GU01214060	Raderwerk 5a Z=28	1	Technical Specifications: From gear CS 25000[C4]
3	GU04214000	Raderwerk 5a vel.Z=28	1	Technical Specifications: Until gear CS 24999[C3]
4	GU01214260	Raderwerk 1a Z=36	1	Technical Specifications: From gear CS 25000[C4]
4	GU04214200	Raderwerk 1a vel.Z=36	1	Technical Specifications: Until gear CS 24999[C3]
5	GU92252813	Rollenkooi 28x33x13	5	
6	GU92252817	Rollenkooi 28x33x17	1	
7	GU04232500	Vaste mof	1	
8	GU01213961	Mof 1a-2a	2	Technical Specifications: From gear CS 25000[C4]
8	GU04213901	Mof 1a-2a	2	Technical Specifications: Until gear CS 24999[C3]
9	GU01214760	Raderwerk 3a Z=30	1	Technical Specifications: From gear CS 25000[C4]
9	GU04214700	Raderwerk 3a vel.Z=30	1	Technical Specifications: Until gear CS 24999[C3]
10	GU04214300	Sluitring	1	
11	GU04055000	Sluitring veiligheid	2	
12	GU04055100	Moer	2	
13	GU10214304	Sluitring 2 mm	2	
14	GU04220700	Secundaire as ond.	1	
15	GU01215060	Raderwerk 4a Z=30	1	Technical Specifications: From gear CS 25000[C4]
15	GU04215000	Raderwerk 4a vel.Z=30	1	Technical Specifications: Until gear CS 24999[C3]
16	GU01220560	Raderwerk 6a Z=23	1	Technical Specifications: From gear CS 25000[C4]
16	GU04220500	Raderwerk 6a vel.Z=23	1	Technical Specifications: Until gear CS 24999[C3]
17	GU01214460	Raderwerk 2a Z=32	1	Technical Specifications: From gear CS 25000[C4]
17	GU04214400	Raderwerk 2a vel.Z=32	1	Technical Specifications: Until gear CS 24999[C3]
18	GU04221400	Vaste mof	1	
19	GU01217530	Raderw.transmissie Z=19	2	
20	GU90271228	Seegerring	1	

Groep	ENGINE
Code	34.17
Beschrijving	Driven shaft
Revisie	1



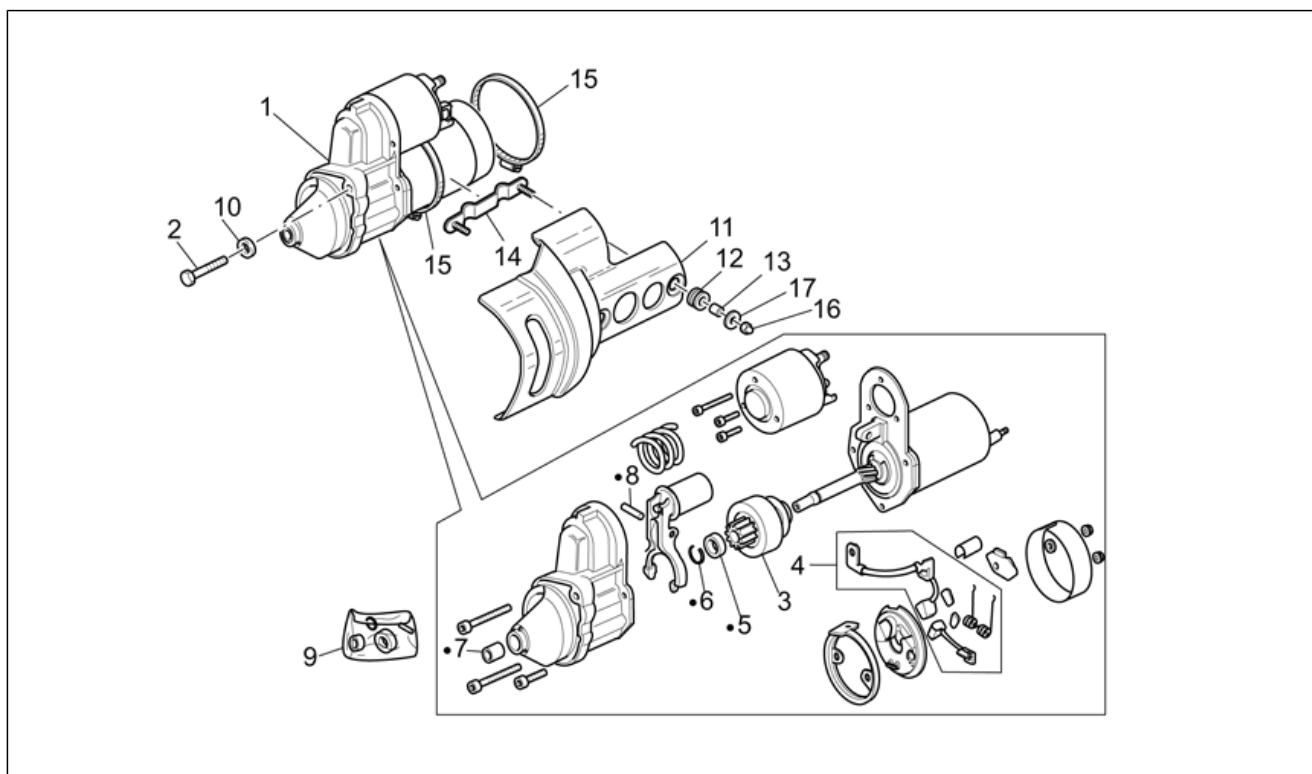
Pos.	Code	Beschrijving	Aant.	Varianten
21	GU04215401	Schraapring	1	

Groep	ENGINE
Code	34.42
Beschrijving	Generator - Regulator
Revisie	1



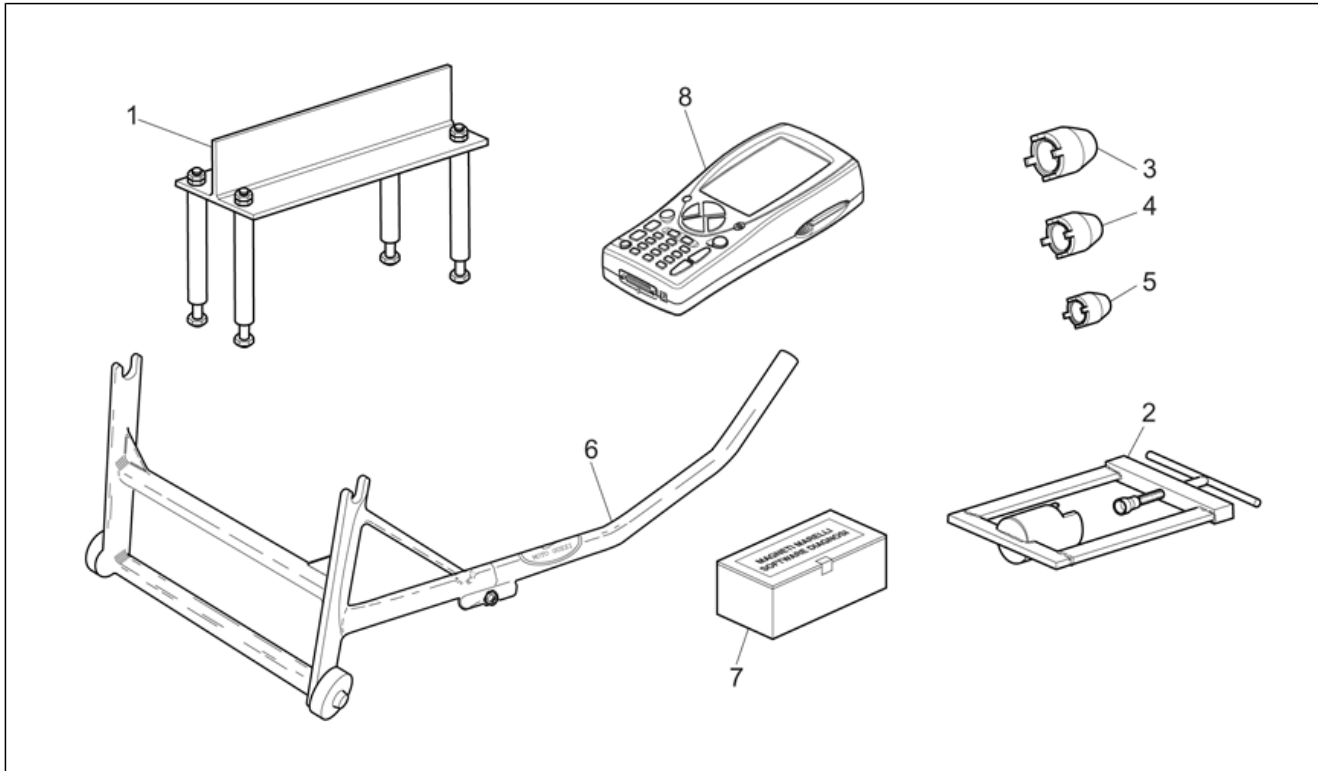
Pos.	Code	Beschrijving	Aant.	Varianten
1	GU32712410	Alternator	1	Technical Specifications: 2nd Serie[2S]
1	GU37712405	Alternator	1	Technical Specifications: 1st Serie[1S]
2	GU03703870	Regelaar SHINDENGEN	1	
3	GU29711460	Kap voor.	1	
4	GU98680265	Binnenzeskantbout	3	
5	GU29217960	Sluitring 5,9X3X0,8	3	
6	GU92606516	Moer M16	1	
7	GU30714201	Sluitring 16,25x24,5x5	1	
8	GU90706178	OR-ring 17,86X2,62	1	
9	GU37712306	Afstandhouder	1	
10	GU91600450	Sluitwig	1	
11	GU29711960	Kap acht.	1	
12	GU98682320	Binnenzeskantbout M6x20	2	
13	GU95008206	Sluitring 6,15x11x0,8	2	
14	GU14217901	Gekart. sluitring 6,4x10x0,7	2	
15	GU19007700	Rubbetje	1	
16	GU28576591	Clip M6	2	
17	GU01747190	Hoofdzakelijke bekabeling	1	Technical Specifications: 1st Serie[1S], Coupled with magneto assy 1st serie, see tab.42[T3]
17	GU01747191	Hoofdzakelijke bekabeling	1	Technical Specifications: 2nd Serie[2S], Coupled with magneto assy 2st serie, see tab.42[T4]

Groep	ENGINE
Code	34.43
Beschrijving	Starter motor
Revisie	1



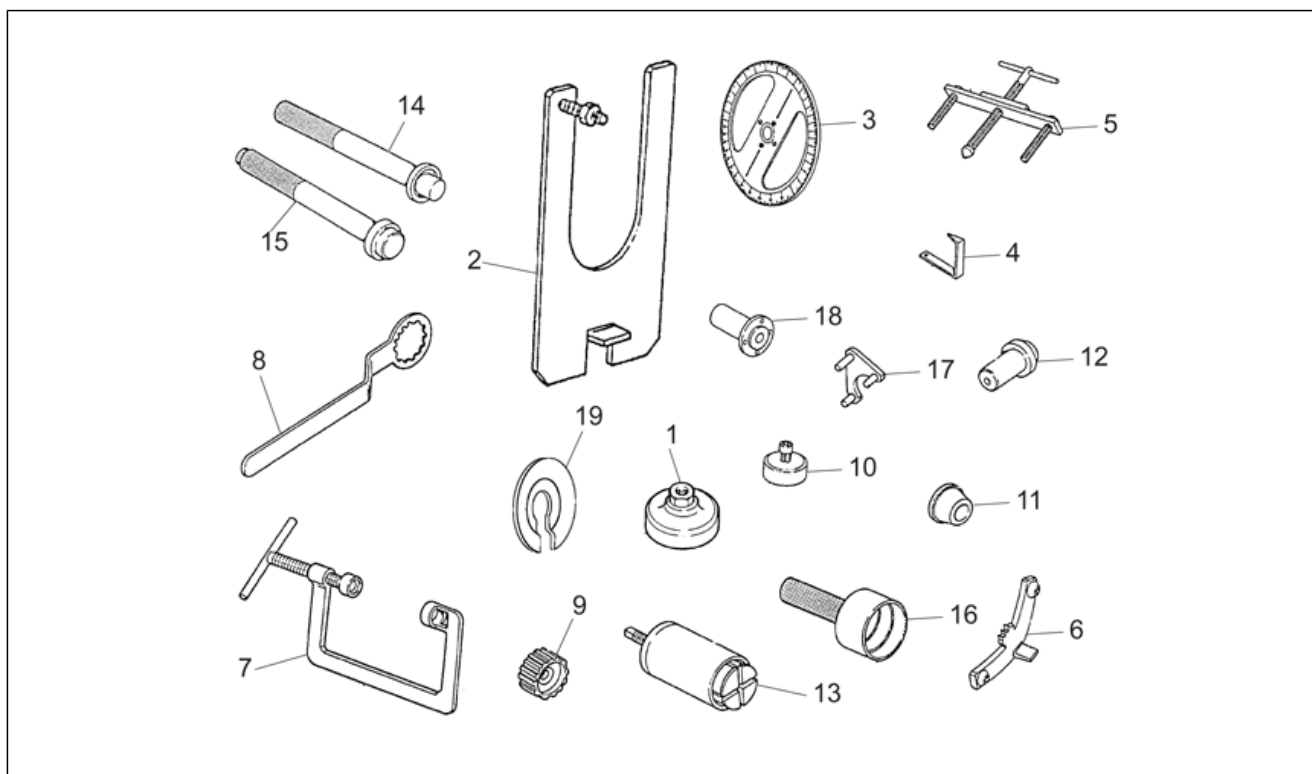
Pos.	Code	Beschrijving	Aant.	Varianten
1	GU30730711	Startmotor Valeo	1	
2	GU98082475	Zeskantbout M8x75	2	
3	GU30530510	Rondsel cpl.	1	
4	GU30530511	Kit borstels	1	
5	0000000	Bedekking	1	
6	0000000	Bedekking	1	
7	0000000	Bedekking	1	
8	0000000	Bedekking	1	
9	GU30530512	Kit revisie startmotor	1	
10	GU95008208	Sluitring 8,4X15X1,5	2	
11	GU01733330	Bedekking start ruw	1	Kleur van het voertuig: Blank[GR] Technical Specifications: V11 SPORT BALLABIO[B.]
11	GU01733340	Bedekking start carb.	1	Technical Specifications: V11 Coppa Italia[C.I.], V11 Cafè Sport[C.S.], V11 Scura R[S.R.]
11	GU01733364	Bedekking grijs	1	Kleur van het voertuig: V11 Sport Ballabio Grey 2003[B.G.], V11 Sport Ballabio Red 2003[B.R.] Technical Specifications: V11 SPORT BALLABIO[B.]
12	GU91551085	Rubbetje	2	
13	GU91180607	Afstandhouder	2	
14	GU01733830	Plaatje	1	
15	GU93306050	Klein bandje 50x90x9	2	
16	GU92787205	Moer blind	2	
17	GU95005304	Sluitring 5,2x18x1,5	2	

Groep	SPECIAL TOOLS
Code	36.46
Beschrijving	Specific tools I
Revisie	1



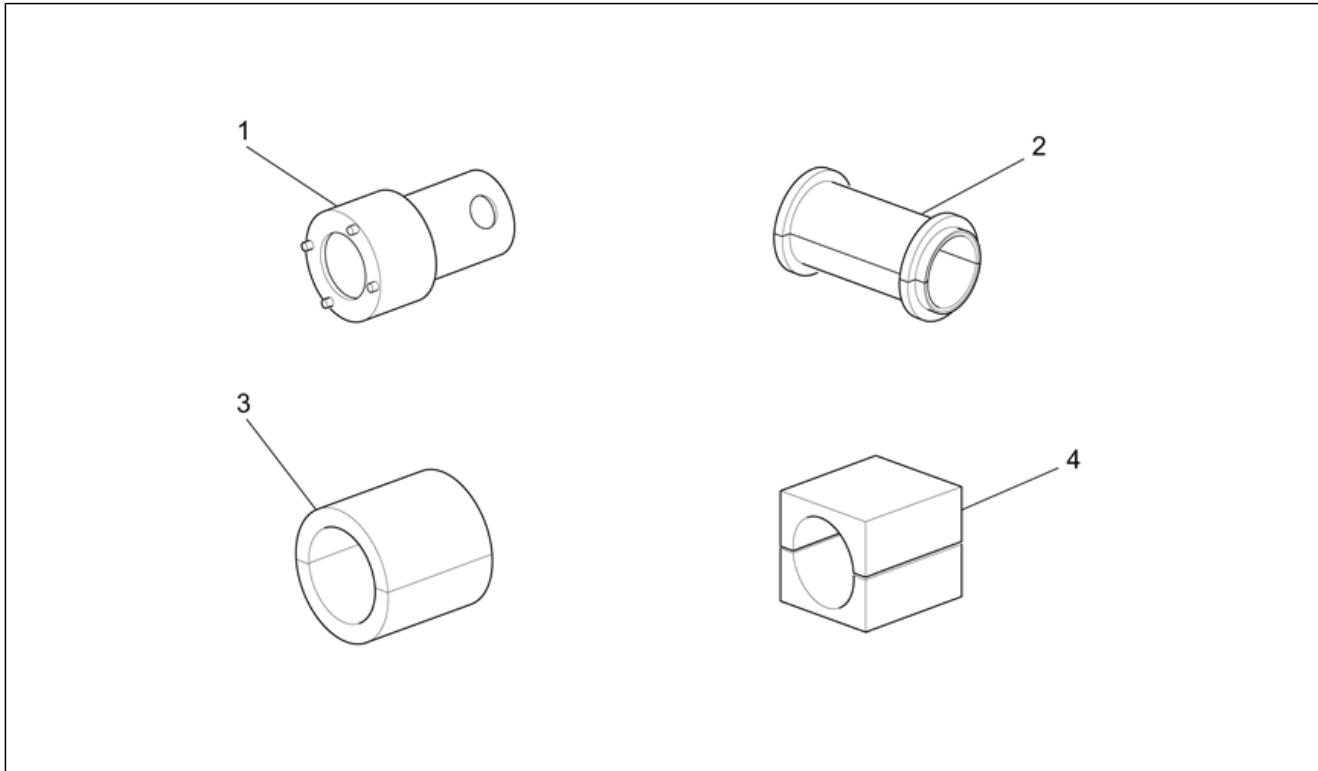
Pos.	Code	Beschrijving	Aant.	Varianten
1	GU01912530	Steun versn.bak in klem	1	
2	GU01966330	Montage schokbesch.	1	
3	GU01913430	Moer mm 34 as 1e versnelling	1	
4	GU01913830	Moer mm 28 as 1e versnelling	1	
5	GU01913730	Moer mm 24 as 2e versnelling	1	
6	GU00979717	Centrale standaard	1	
7	GU00979715	Software diagnose inj./ontst.	1	
8	AP8140595	Axone acculader 230V50Hz	1	
8	AP8202311	Axone acculader 110V60Hz	1	LAND:United States of America[USA]

Groep	SPECIAL TOOLS
Code	36.47
Beschrijving	Specific tools II
Revisie	1



Pos.	Code	Beschrijving	Aant.	Varianten
1	GU01929100	Bedekking carter en filter	1	
2	GU14929600	Steun voor doos versn.bak	1	
3	GU19929600	Schijf fase distrib.ontst.	1	
4	GU17947560	Pijl fase distrib.ontst.	1	
5	GU12913600	Demont./mont.flens zijde vliegwiel	1	
6	GU12911801	Blockk.vliegwiel/startkroon.	1	
7	GU10907200	Demont./mont.kleppen	1	
8	GU30912810	Blokk.romp int.koppeling	1	
9	GU30906510	Montage van de koppeling	1	
10	GU14927100	Dichting flens zijde vliegwiel	1	
11	GU12912000	Flens op drijfvas	1	
12	GU14927200	Dichtingsring bed.distrib.	1	
13	GU12906900	Ring lager rol.transm.	1	
14	GU14928900	Drev.lag.aandrijfassen	1	
15	GU14929100	Drev.ring hulsel vork./trans.	1	
16	GU19927100	Dichtingsring flens vliegwiel	1	
17	GU14927300	Dichting raderw.nokkenas	1	
18	GU65928400	Naaf voor gegrad.schijf	1	
19	GU30949700	Dichtingsringen int.vork	1	

Groep	SPECIAL TOOLS
Code	36.48
Beschrijving	Specific tools III
Revisie	1



Pos.	Code	Beschrijving	Aant.	Varianten
1	AP8140424	Vorksleutel Ohlins	1	
2	AP8140189	Mont.oliekeerring d.43	1	
3	AP8140146	Gewicht voor gereedschap AP8140189	1	
4	AP8140149	Besch.handelingen demont.	1	